

TABLE OF CONTENTS

Parts Manual EMC MODEL



SHEET METAL ASSEMBLY	3
SHEET METAL ASSEMBLY B.O.M.	4
BASE ASSEMBLY	5
COLUMN ASSEMBLY	6
SADDLE ASSEMBLY	7
TABLE ASSEMBLY	8
CARRIAGE ASSEMBLY	9
ATC ASSEMBLY	10
ATC TURRET ASSEMBLY	11
GEAR MOTOR ASSEMBLY	12
WHEEL GENEVA ASSEMBLY	13
WHEEL GENEVA ASSEMBLY B.O.M.	14
Y AXIS BALLSCREW ASSEMBLY	15
Y AXIS BALLSCREW ASSEMBLY B.O.M.	16
Z AXIS BALLSCREW ASSEMBLY	17
Z AXIS BALLSCREW ASSEMBLY B.O.M.	18
X AXIS BALLSCREW ASSEMBLY	19
X AXIS BALLSCREW ASSEMBLY B.O.M.	20
HEAD ASSEMBLY	21
DRAWBAR CYLINDER ASSEMBLY	22
DRAWBAR CYLINDER ASSEMBLY B.O.M.	23
SPINDLE MOTOR ASSEMBLY	24
SPINDLE ASSEMBLY	25
HEAD COVER ASSEMBLY	26
TRANSFORMER CABINET ASSEMBLY	27
TRANSFORMER ASSEMBLY	28
CNC CONTROL BOX ASSEMBLY	29
CNC CONTROL BOX ASSEMBLY B.O.M.	30
AXIS COVER ASSEMBLY	31
AXIS COVER ASSEMBLY B.O.M.	32
PENDANT ASSEMBLY	33



This reference covers the following Fadal products:

Model EMC

Corporate Office	voice (818) 407-1400	fax (818) 407-0020
Service / Parts	voice (818) 727-2100	fax (818) 407-1004
Programming Support	voice (818) 727-2100	fax (818) 407-0061

support@fadal.com

20701 Plummer Street Chatsworth California 91311 U.S.A.

The content of this manual has been reviewed for accuracy and is applicable to current Fadal hardware and software products as described herein. Differences may exist and we cannot guarantee that they are completely covered in this document. The information in this document is reviewed regularly and any necessary changes will be incorporated in the next revision. We welcome any suggestions for improvement.

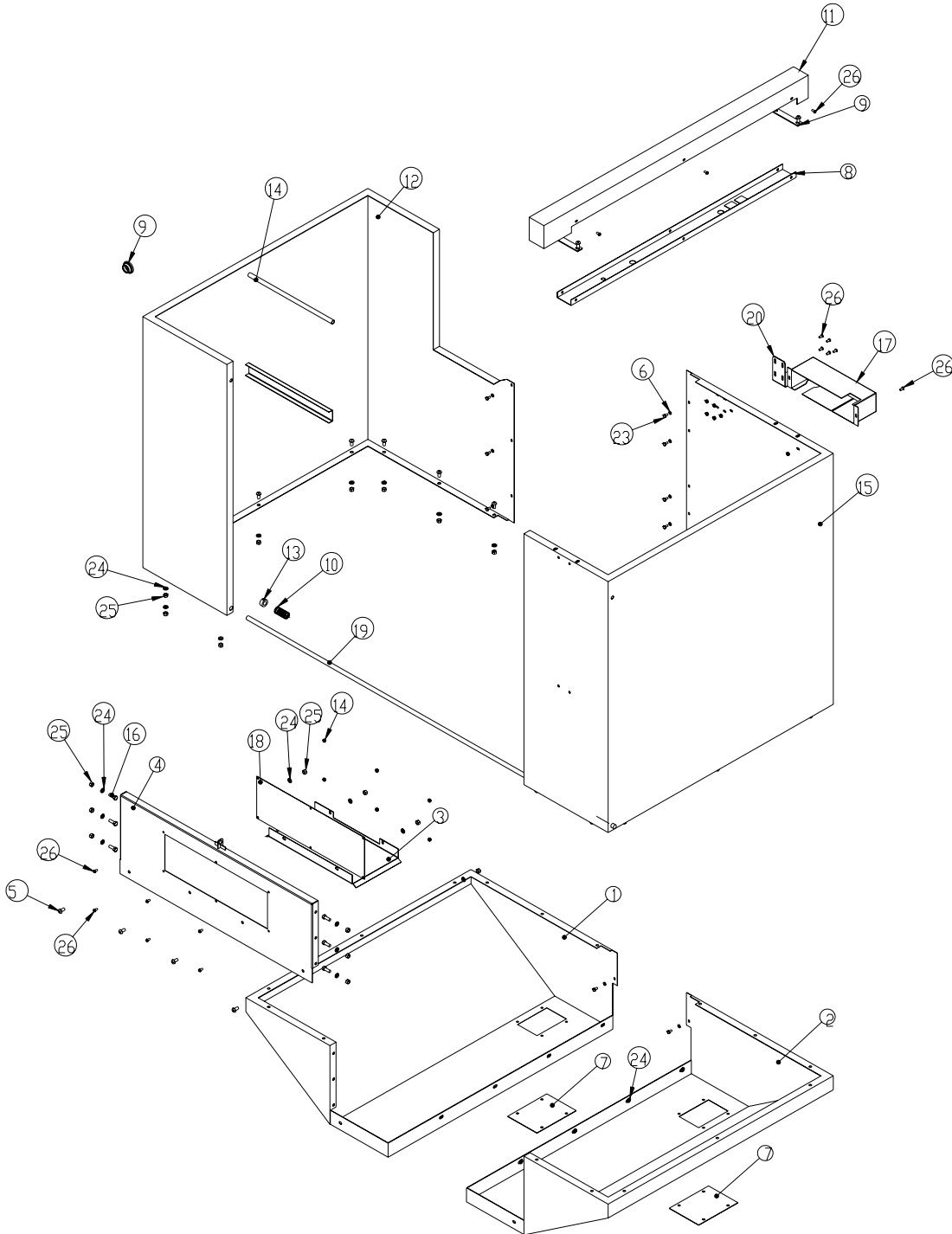
Material is subject to change without notice.

This manual is for the exclusive use of Fadal Customers and Distributors. The reproduction, transmission or use of this document or its contents is not permitted without the expressed written permission of Fadal Machining Centers. All rights, including rights created by patent grant or registration of a utility, model or design, are reserved.

© Copyright 2003 Fadal Machining Centers.

This page intentionally left blank.

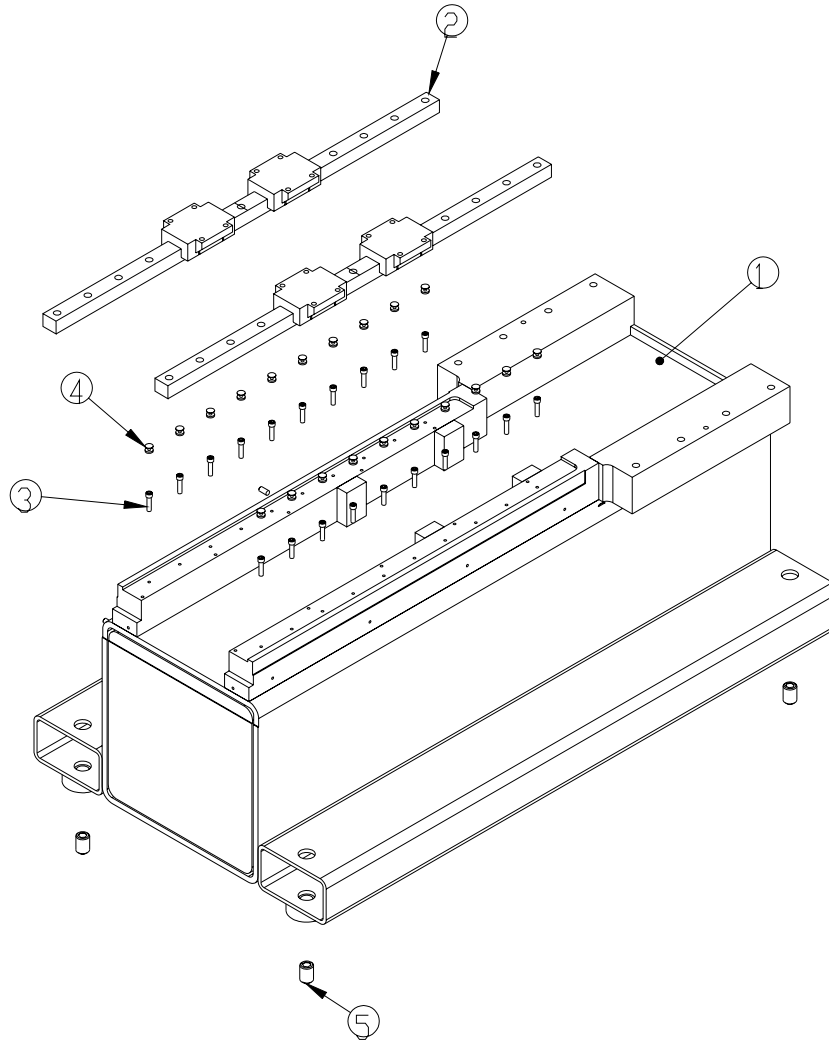
SHEET METAL ASSEMBLY



SHEET METAL ASSEMBLY

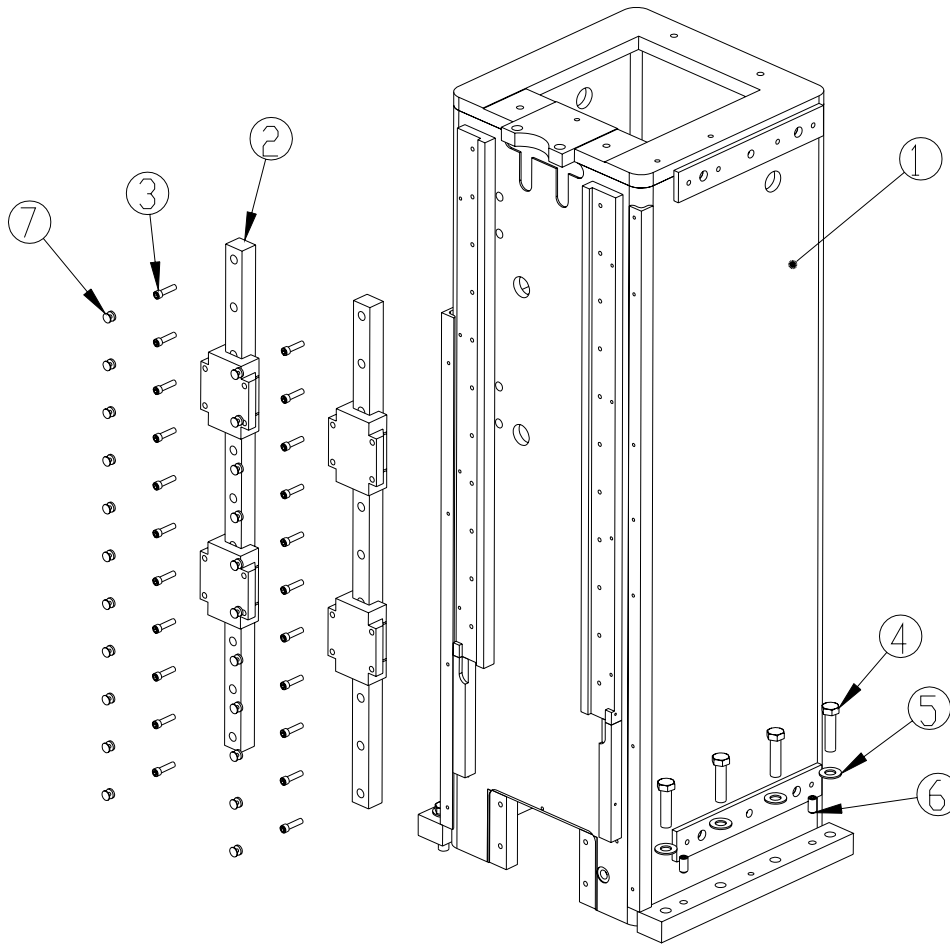
ITEM NO.	QTY.	PART NO.
1	1	Stm 1417 splash guard bottom left pan EMC
2	1	Stm 1418 splash guard bottom right pan EMC
3	1	Stm 1421 cross tray EMC
4	1	Stm 1422 front panel EMC
5	24	Hdw_0345_screw_button_socap.375-16 x .75
6	11	Hdw_0279_washer_lock_split .25
7	2	Stm 1413 splash guard bottom drain cover EMC
8	1	Stm 1415 pendant wire tray EMC
9	1	Hdw_0185 bumper white stick on 3m
10	2	Hdw_0264_spring_door_.9375x2_compression
11	1	Stm 1416 pendant wire tray cover EMC
12	1	Stm 1419 splash guard left EMC
13	2	Hdw_0215_collar_door_rod_.625
14	12	Hdw_0337_nut_hex_keps.25_20_z_p
15	1	Stm 1420 splash guard right EMC
16	6	Hdw_0568_screw_hexcap_gr8_.375_16x1
17	1	Stm_0088_gutter_rear_wire_vmc_15_2216_3016
18	1	Stm_0082_cover_front_panel_15_15XT
19	1	Dor_0043_door_rod_75_vmc_15_2016l_emc
20	1	Stm_1429_brace_splash_guard_right EMC
21	1	Stm_1429_gusset_splash_guard_right EMC
22	6	Hdw-0049 Washer,Hardened;3/8
23	11	Hdw_0319_screw_hexcap_gr8 .25 20x.5
24	39	Hdw_0280_washer_lock_split .375
25	26	Hdw_0333_nut_hex .375 16 plain steel
26	18	Hdw_0346_screw_button_socap .25 20x.5

BASE ASSEMBLY



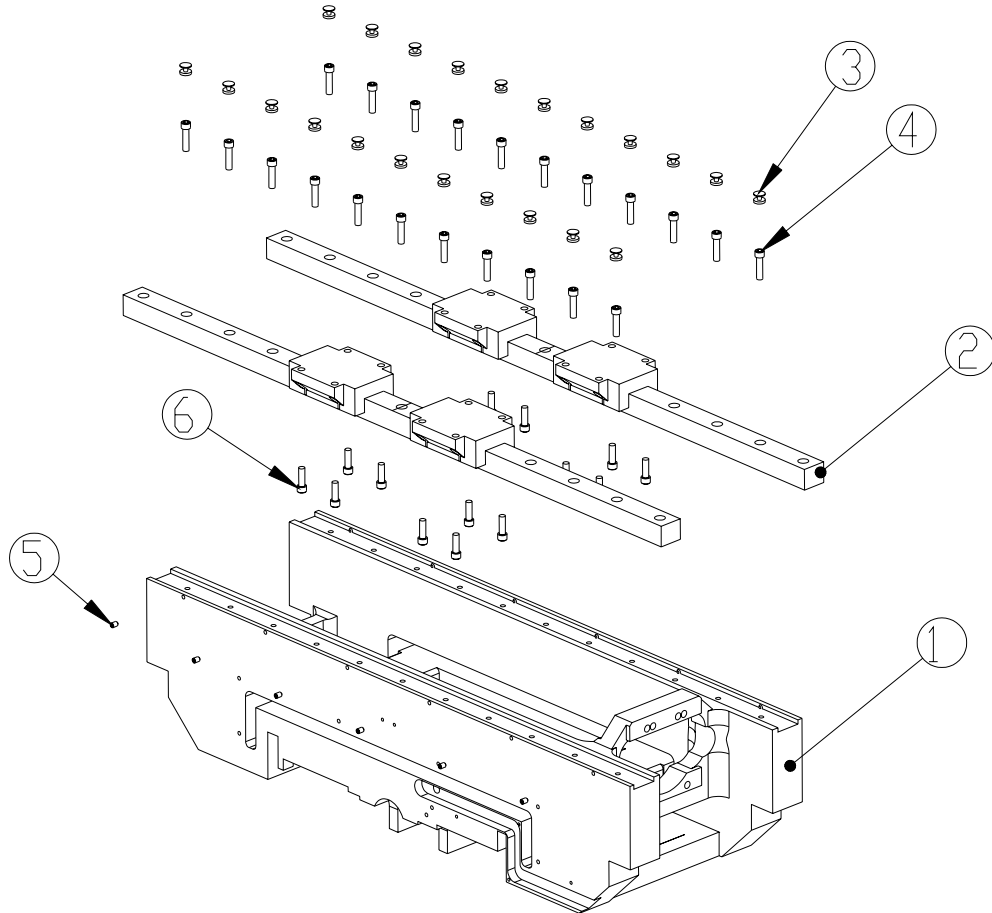
ITEM NO.	QTY.	PART NO.
1	1	Bas_0042_Bas_0043_base_weldment_assembly EMC
2	2	Brg_0164_linear_guide_1000mm_emc
3	20	Hdw_0291_screw_socap_3125-18x1_25
4	20	Brg_0032_plug_raid_socket_cap
5	4	Hdw_0680_screw_set_halfdog_1_14 x 1.5

COLUMN ASSEMBLY



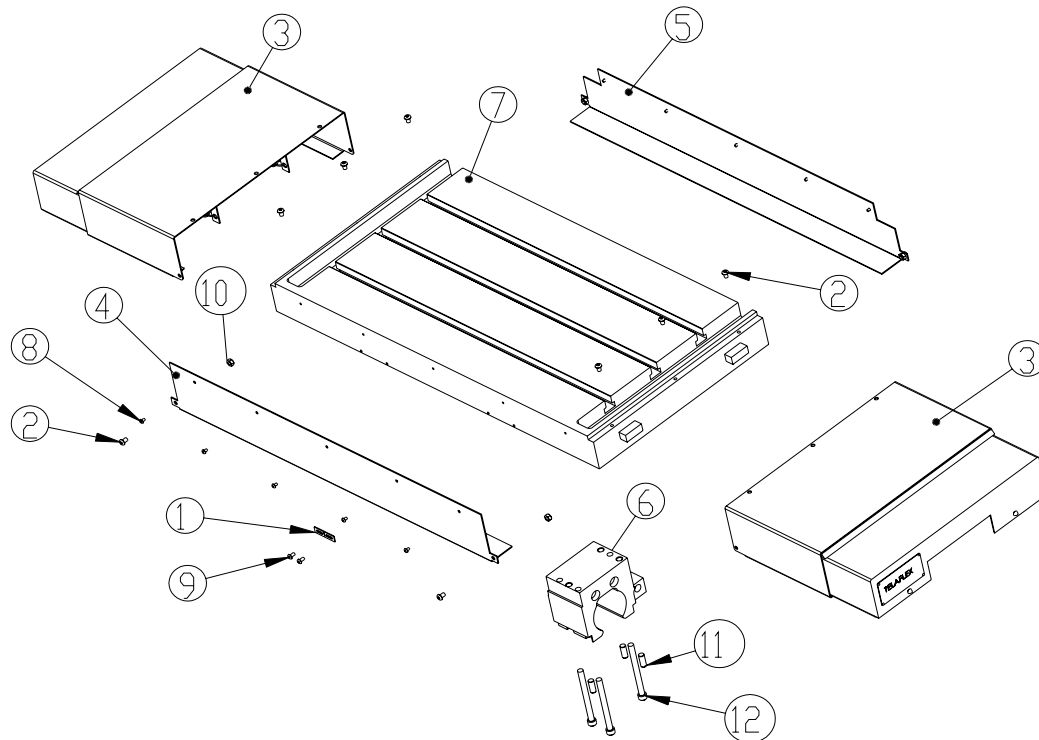
ITEM NO.	QTY.	PART NO.
1	1	Col_0042_Col_0043_column_weldment_assembly EMC
2	2	Brq_0165_linear_guide_840mm_emc
3	22	Hdw_0291_screw_socap_.3125-18x1_.25
4	8	Hdw_0553_screw_hexcap_g8_.625_11x2.5
5	8	Hdw_0051_washer_hardened_.625
6	4	Hdw_0769_screw_set_halfdog_.5_20x1
7	22	Brq_0032_plug_raid_socket_cap

SADDLE ASSEMBLY



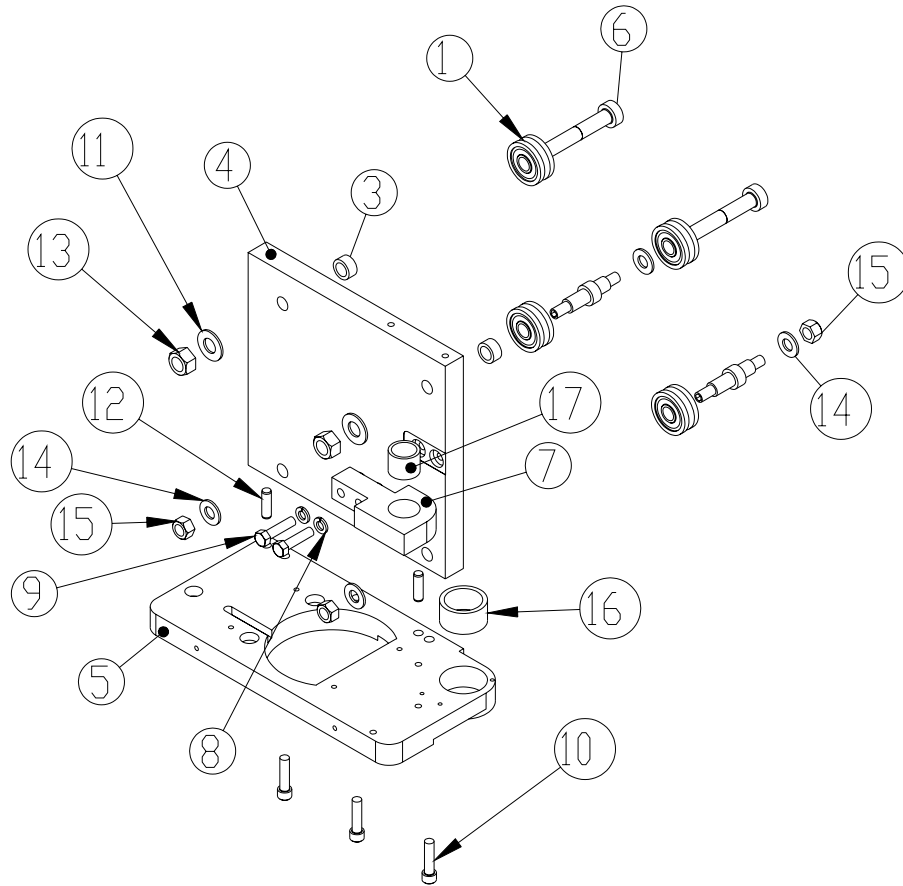
ITEM NO.	QTY.	PART NO.
1	1	Sdl_0077 Sdl_0079 saddle_casting_machined_hi_speed EMC_2016L
2	2	Brg_0164 linear_guide_1000mm_emc_2
3	22	Brg_0032_plug_raid_socket_cap
4	22	Hdw_0291_screw_socap_.3125-18x1_.25
5	12	Hdw_0412_screw_set_cup_pt_.25_20x.375
6	16	Hdw_0481_screw_socap_.3125_18x1

TABLE ASSEMBLY



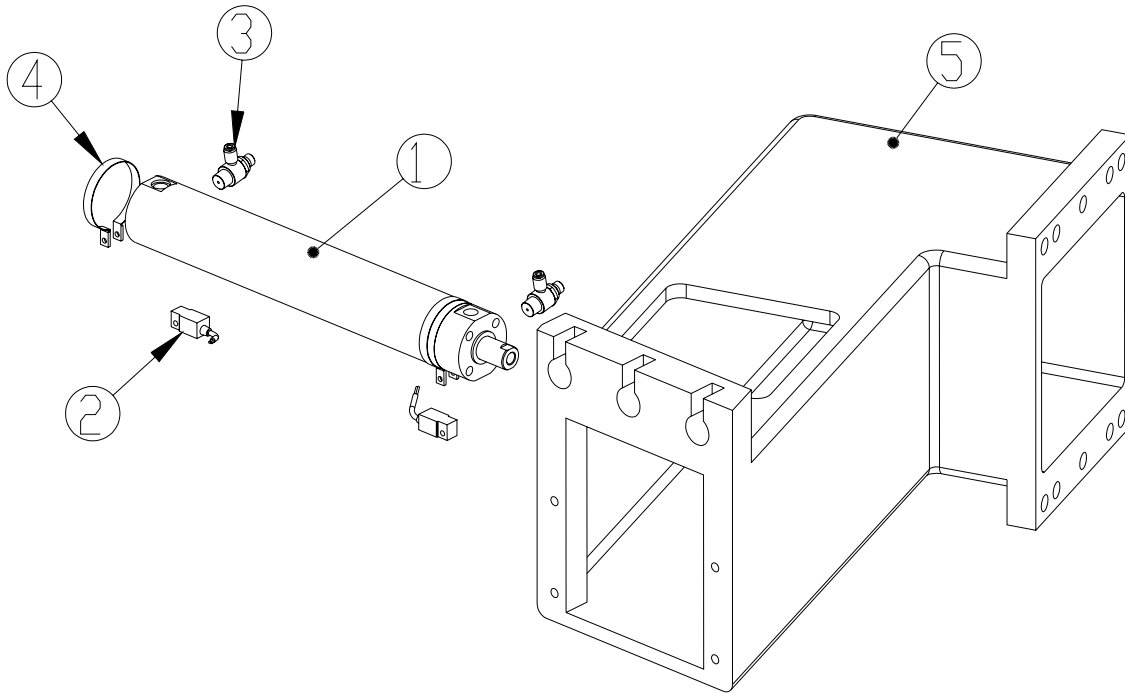
ITEM NO.	QTY.	PART NO.
1	1	Stm_0593_cold_start_brkt_x_axis_l_model
2	10	Hdw_0347_screw_button_socap_25_20x.375
3	2	Cvr_0016_assy_way_cover_x_axis_15_2216_2016L_complete
4	1	Stm_0468_tbl_face_cover_c_s
5	1	Stm_0227_tbl_face_cover_rear
6	1	BLS_0315_ball_nut_adapter_3016L_2016L_700ipm EMC
7	1	Tbl_0043_table_mached_emc
8	10	Hdw_0352_screw_button_socap_8_32x.25
9	2	Hdw_0349_screw_button_socap_10_32x.375
10	4	Hdw_0337_nut_hex_keps.25_20_z_p
11	3	Hdw_0329_dowel_pin_375x1_steel
12	3	Hdw_0479_screw_375_16x4.5_hk_shcs

CARRIAGE ASSEMBLY



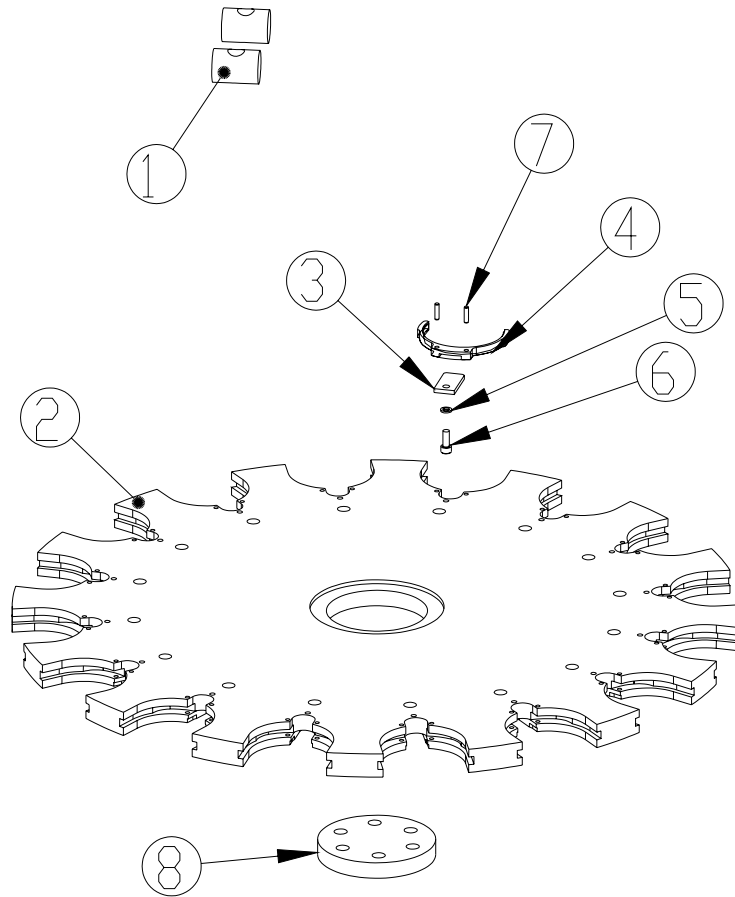
ITEM NO.	QTY.	PART NO.
1	4	ATC-0153
2	2	ATC-0152
3	2	Atc_0093_v bearing shaft bushing
4	1	Atc_0083_plate_back_carriage_21tool_atc
5	1	Atc_0082_atc_carriage_base
6	2	Atc_0033_shaft_v bearing_21_tool
7	1	Atc_0018_upper_bearing_support
8	2	Hdw_0280_washer_lock_split_.375
9	2	Hdw_0313_screw_hexcap_gr8_.375_16x1.5
10	3	Hdw_0472_screw_socap_.375_16x1.5
11	2	Hdw_0448_washer_hard_.625
12	2	Hdw_0616_dowel_pin_.375x1.25_steel
13	2	Hdw_0634_nut_hex_.625_11_plain_steel
14	4	Hdw_0050_Washer,Hardened;1/2
15	4	Hdw_0543_nut_hex_.5_13_plain_steel
16	1	Brg_0012_needle_bearing
17	1	Brg_0011_needle_bearing

ATC ASSEMBLY



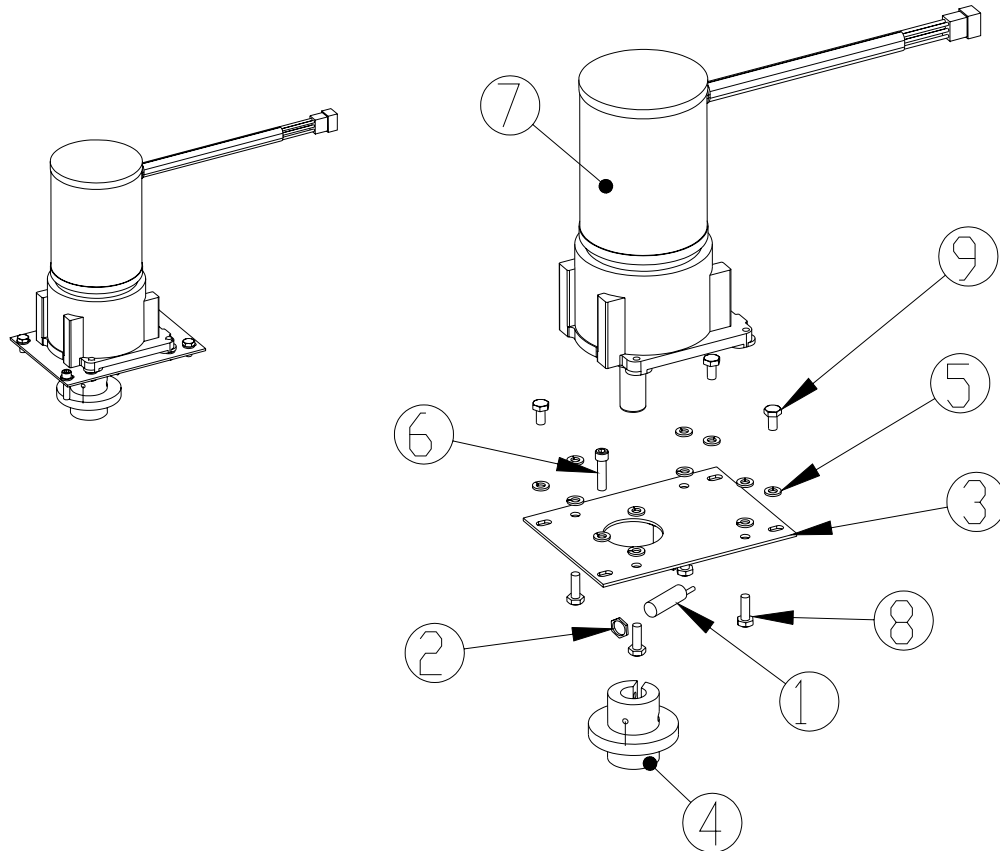
ITEM NO.	QTY.	PART NO.
1	1	Cyl 0027 cylinder air atc EMC
2	2	CYL 0029 auto switch atc EMC
3	2	CYL 0030 flow control cylinder atc EMC
4	2	Cyl 0028 band switch atc EMC
5	1	Arm 0002K arm machined 15 5020a 904058 3

ATC TURRET ASSEMBLY



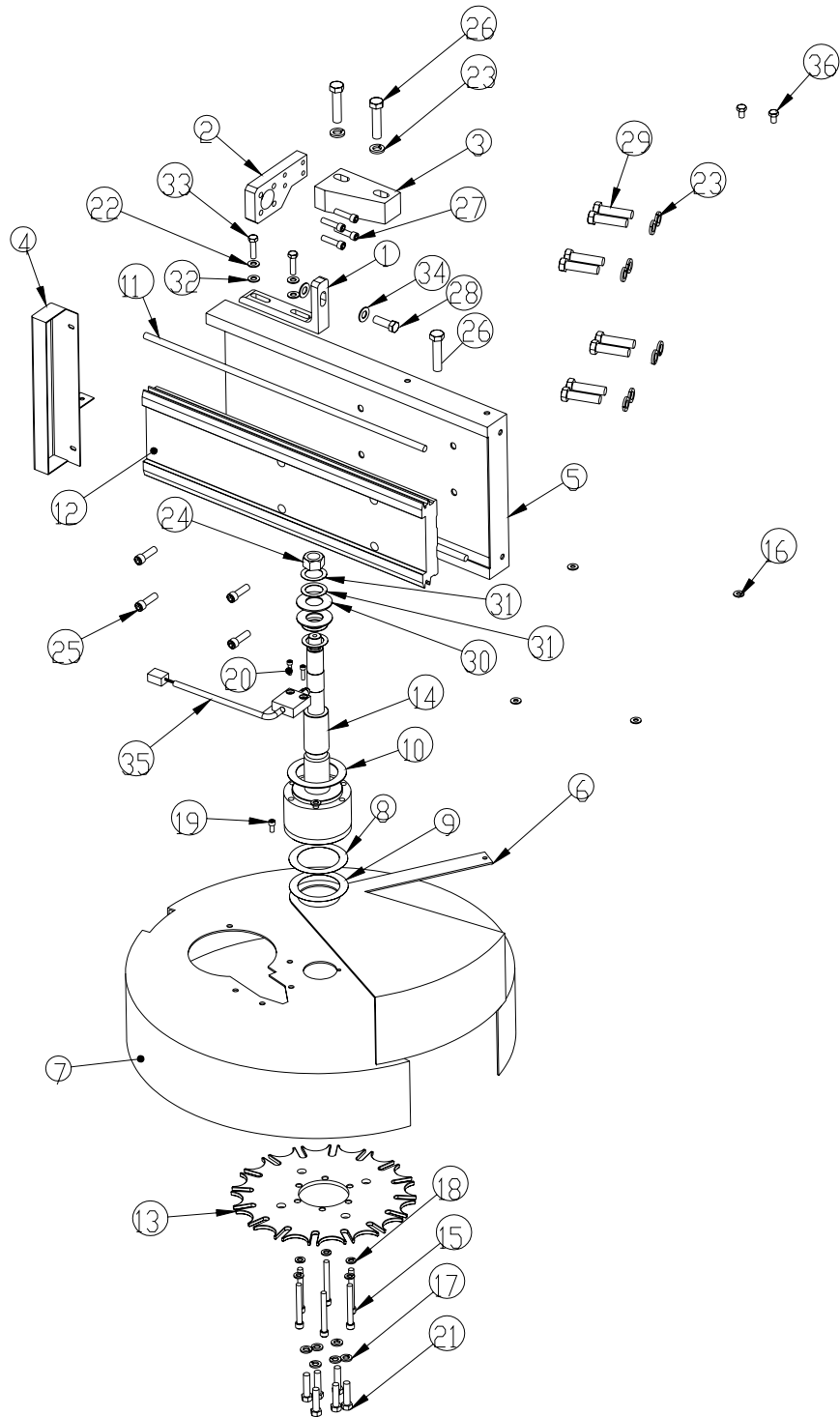
ITEM NO.	QTY.	PART NO.
1	2	Atc 0035 retainer nut slide plate
2	1	Atc 0181 tool carrier atc 16 tool EMC
3	1	Atc 0032 key tool orientation atc
4	1	Atc 0028 retention ring cat tool
5	1	Hdw 0278 washer lock split #10 z p
6	1	Hdw 0302 screw socap 10 32x.5
7	2	Hdw 0328 roll pin .125x.5 plain steel
8	1	Atc 0031 plate tool carrier clamp

GEAR MOTOR ASSEMBLY



ITEM NO.	QTY.	PART NO.
1	1	Ele 0145 Switch, 103SR5A-2 hall effect switch
2	2	Ele 0145 Nut hal effect switch
3	1	Atc 0074 plate mount motor geneva
4	1	Atc 0022 driver_16 tool geneva
5	12	Hdw 0279 washer lock split .25 plain
6	1	Hdw 0294 screw socap .25-20x1
7	1	Mtr 0134 motor gear 60 rpm biston
8	4	Hdw 0583 screw hexcap gr8 .25 28x.75
9	3	Hdw 0319 screw hexcap gr8 .25 20x.5

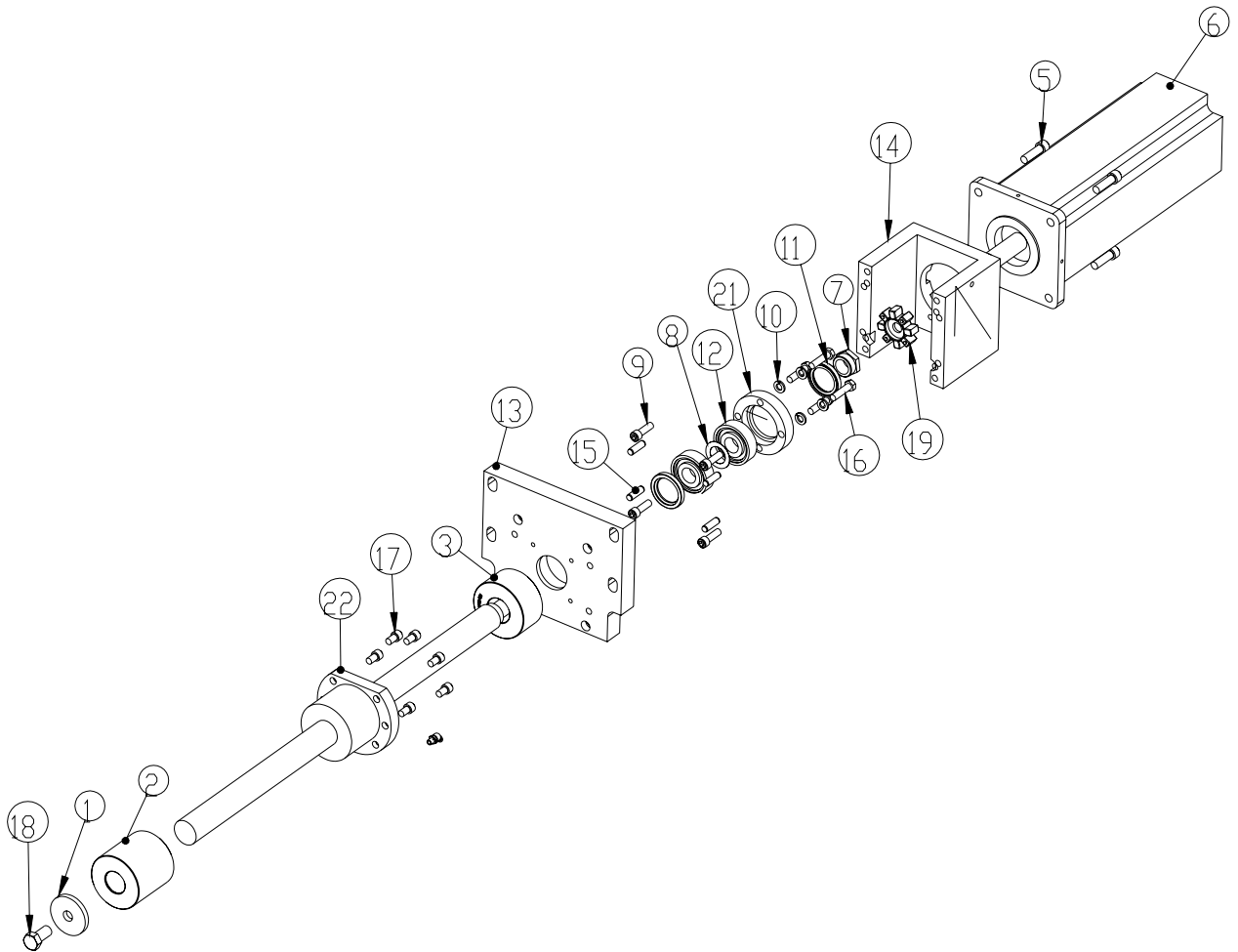
WHEEL GENEVA ASSEMBLY



WHEEL GENEVA ASSEMBLY

ITEM NO.	QTY.	PART NO.
1	1	Atc_0187_bracket_carriage_cylinder_atc_FMC
2	1	Atc_0186_mount_cylinder_atc_FMC
3	1	Atc_0185_bracket_cylinder_atc_FMC
4	1	Stm_0063_cover_rail_slide_end
5	1	Stm_1428_cover_rail_slide_outer_atc_FMC
6	1	Stm_1426_door_16_21_tool_atc_FMC
7	1	Stm_1425_cover_16_21_tool_atc_FMC
8	1	Hdw_0359_shim_telfon_010in_atc_door
9	1	Hdw_0358_shim_telfon_005in_atc_door
10	1	Hdw_0357_shim_nylon_062in_atc_door
11	2	Atc_0154_sht3of3_rod_track
12	1	Atc_0154_sht2of3_track
13	1	Atc_0184_Atc_0024_wheel_geneva_blank_machined_16tool_FMC
14	1	Atc_0027_turret_spindle
15	6	Hdw_0485_screw_socap_3125_18x2.75
16	4	hdw_0047_washer_hardened_250
17	6	Hdw_0280_washer_lock_split_375
18	6	Hdw_0281_washer_lock_3125
19	1	Hdw_0295_Screw,Socap;1/4-20 X 1/2
20	2	Hdw_0303_screw_socap_10_32x.75
21	6	Hdw_0313_screw_hexcap_gr8_375_16x1.5
22	2	Hdw_0387_washer_serrated_3125
23	10	Hdw_0451_washer_lock_split_5
24	1	Hdw_0637_nut_hex_jam_75_16_z_p
25	4	Hdw_0779_screw_socap_375_16x1.25
26	3	Hdw_0789_screw_hexcap_g8_5_13x2.25
27	4	Hdw_1201_screw_socap_3125-24 x 1.25
28	1	Hdw_1203_screw_hexcap_4375-20 x 1.25
29	8	Hdw_0310_screw_hexcap_gr8_5_13x2
30	2	Brg_0009_thrust_bearing_nta_1625
31	4	Brg_0010_thrust_washer_tra_1625
32	2	Hdw_0048_washer_hardened_3125
33	2	Hdw_0575_screw_hexcap_gr8_3125_18x.75
34	2	Hdw_1202_washer_hardened_4375
35	1	Fle_0385_switch_roller_proximity_atc
36	2	Hdw_0573_screw_hexcap_gr8_3125_18x.5

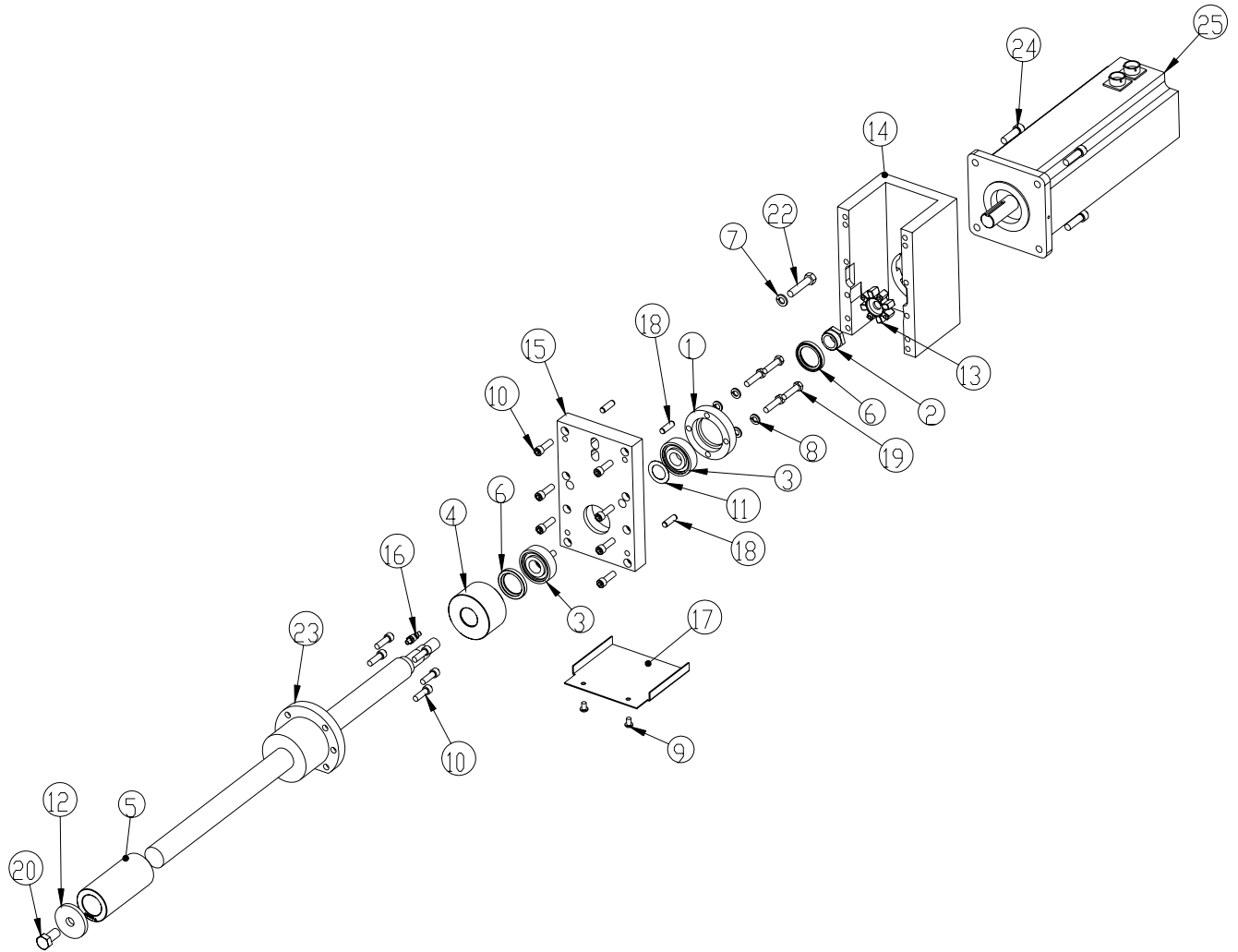
Y AXIS BALLSCREW ASSEMBLY



Y AXIS BALLSCREW ASSEMBLY

ITEM NO.	QTY.	PART NO.
1	1	Hdw 0859 washer x axis ls adapter 6030
2	1	BLS 0342 stop limit rear yaxis EMC 2016L 3016L
3	1	BLS 0341 stop limit front yaxis EMC 2016L 3016L
4	4	Hdw 0280 washer lock split .375
5	4	Hdw 0779 screw socap .375 16x1.25
6	1	Mtr 0141 motor servo baldr 3136 3016L ac
7	1	Bls 0047 Retainer bls nut 2216 5020a 400mm hmc
8	1	Hdw 0730 Spacer, arbor, .875 x 1.375 x .001
9	4	Hdw 0481 screw socap .3125 18x1
10	4	Hdw 0281 washer lock .3125
11	2	Hdw 0210 seal 11138CR
12	2	Brg 0024 Bearing, thrust 7304BYG
13	1	Bls 0308 mount y axis drive 2016L 3016L 700ipm EMC
14	1	Bls 0207 x y motor adapter channel
15	4	Hdw 0619 dowel pin .3125x1 steel
16	4	Hdw 0792 screw hexcap g8 .3125 18x1.25
17	6	Hdw 0482 screw socap .3125 18x.5
18	1	Hdw 1196 screw hexcap g8 .5 13 unc x 1
19	1	Mtr 0198 Coupler, spider, Baldor axis motor, Gam EKM30
20	1	Plm 0245 fttng hdrlc grs m6x1 mle 45deg
21	1	Bls 0039 thrust bearing retainer
22	1	Bls 0306 ballscrew asy y axis emc

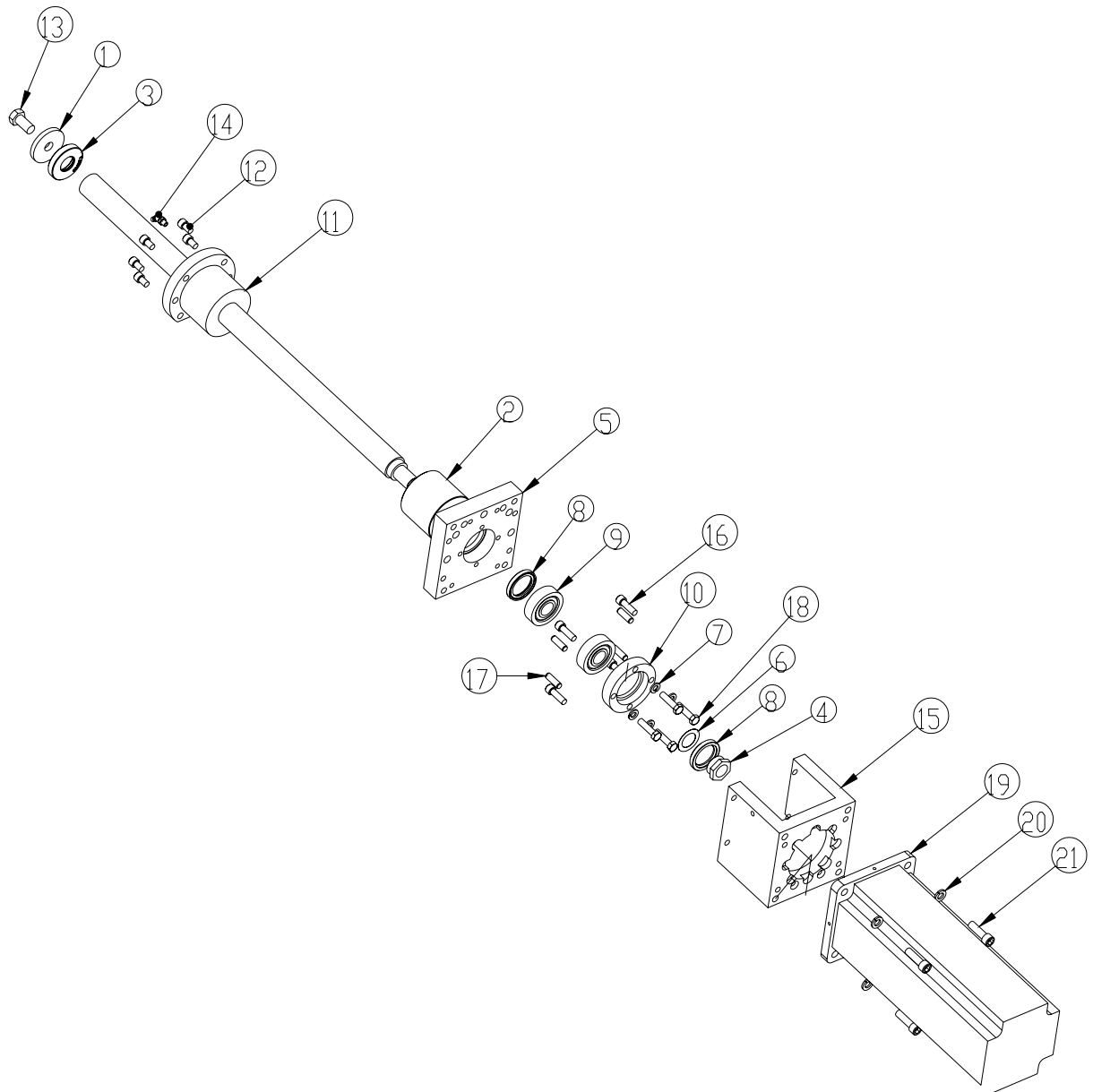
Z AXIS BALLSCREW ASSEMBLY



Z AXIS BALLSCREW ASSEMBLY

ITEM NO.	QTY.	PART NO.
1	1	Bls_0039_thrust_bearing_retainer
2	1	Bls_0047 Retainer bls nut 2216 5020a 400mm hmc
3	2	Brg_0024 Bearing, thrust 7304BYG
4	1	Bls_0326 stop limit upper z axis EMC
5	1	Bls_0323 stop limit lower z axis EMC
6	2	Hdw_0210 seal 11138CR
7	5	Hdw_0280 washer lock split .375
8	4	Hdw_0281 washer lock .3125
9	2	Hdw_0347 screw button socap .25 20x.375
10	14	Hdw_0481 screw socap .3125 18x1
11	1	Hdw_0730 Spacer, arbor, .875 x 1.375 x .001
12	1	Hdw_0859 washer x axis ls adapter 6030
13	1	Mtr_0198 Coupler, spider, Baldor axis motor, Gam EKM30
14	1	Bls_0208 z motor adapter channel
15	1	Bls_0218 drive mount z axis
16	1	Plm_0245 fttng_hdrlc_grs_m6x1_mle_45deg
17	1	Stm_0043 cover z axis all vmc
18	4	Hdw_0619 dowel pin .3125 x 1 steel
19	4	Hdw_0792 screw hexcap_g8 .3125 18x1.25
20	1	Hdw_1196 screw hexcap_g8 .5 13 unc x 1
21	1	Hdw_0310 screw hexcap_gr8 .5 13x2
22	1	Hdw_0569 screw hexcap_gr8 .375 16x1.75
23	1	Bls_0309 screw y axis_w3205wf51nsk_emc
24	4	Hdw_0779 screw socap .375 16x1.25
25	1	Mtr_0141 motor servo baldr 3136 3016L ac

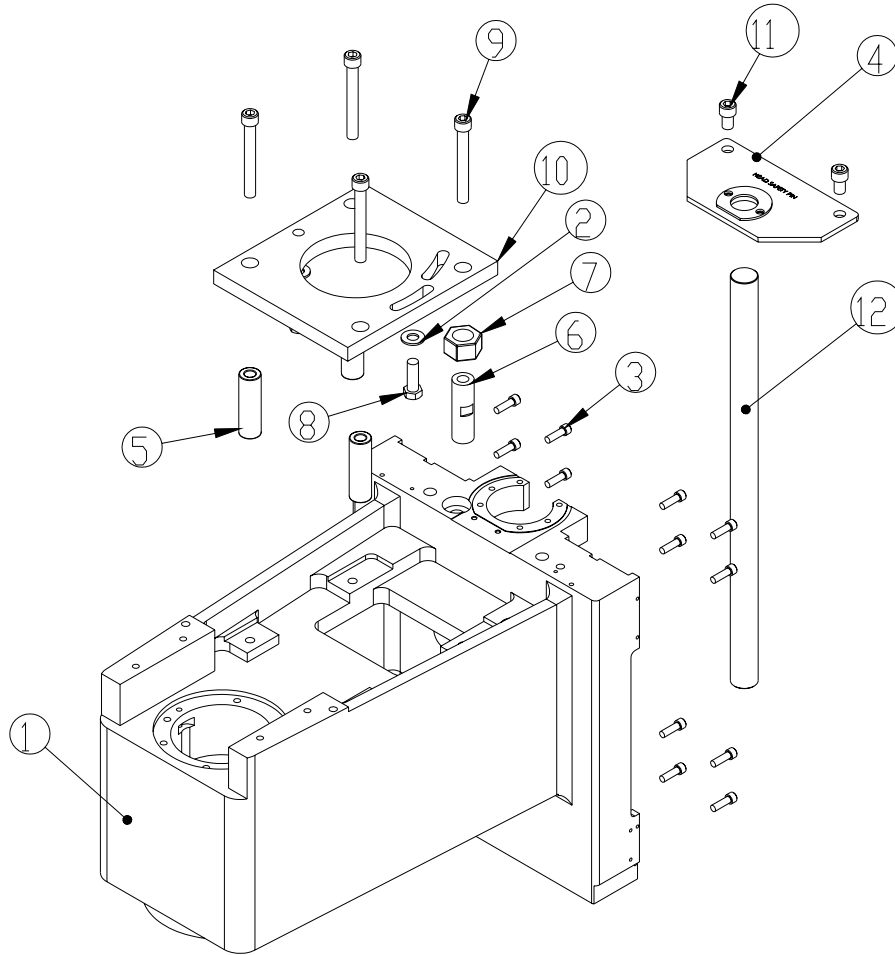
X AXIS BALLSCREW SUPPORT



X AXIS BALLSCREW ASSEMBLY

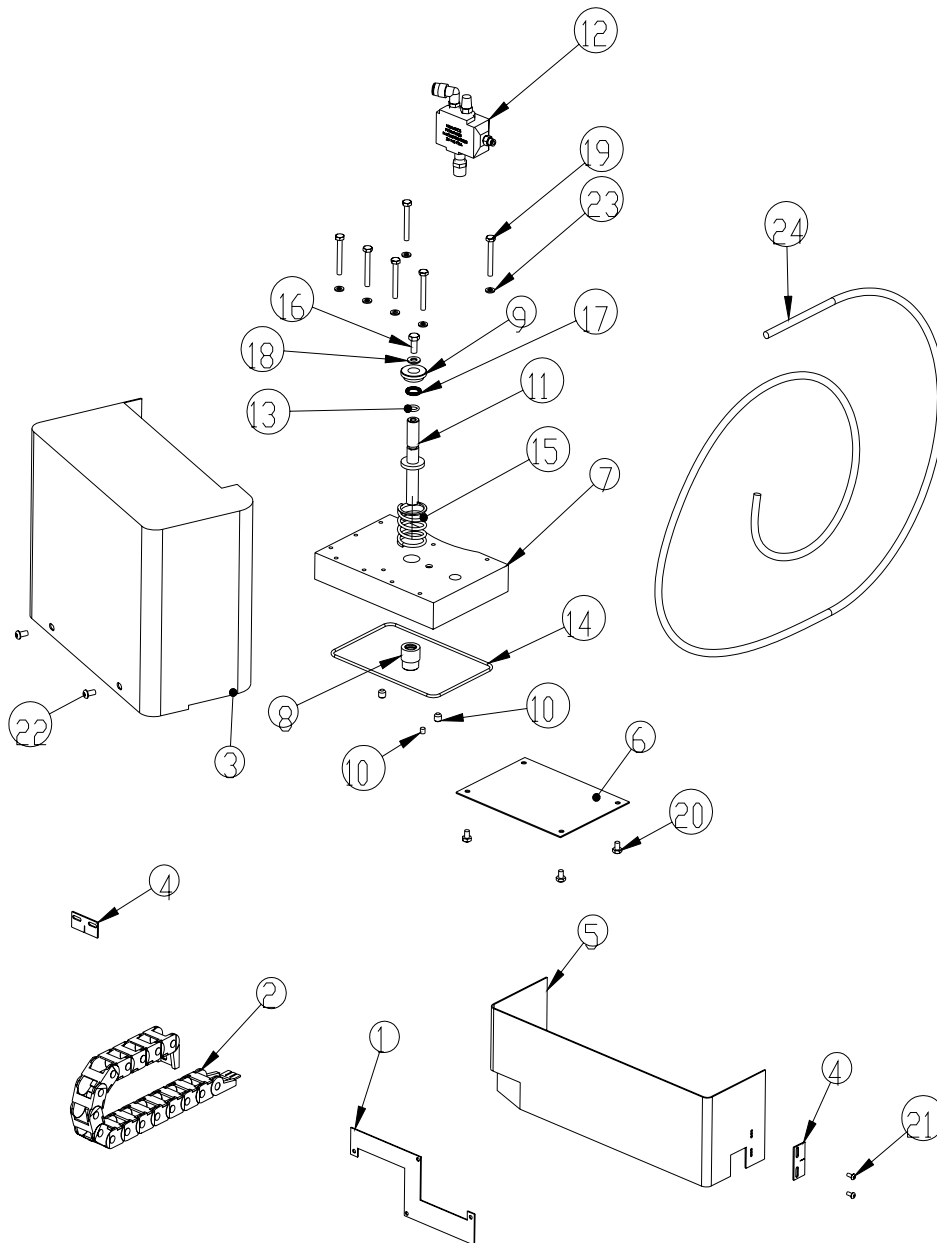
ITEM NO.	QTY.	PART NO.
1	1	Hdw_0859_washer_x_axis_ls_adapter_6030
2	1	BLS_0340_stop_limit_right_xaxis EMC_2016L
3	1	BLS_0339_stop_limit_left_xaxis EMC_2016L
4	1	Bls_0047 Retainer bls nut 2216 5020a 400mm hmc
5	1	Bls_0217_drive_mount_x_axis_smaller_mch
6	1	Hdw_0730 Spacer, arbor, .875 x 1.375 x .001
7	4	Hdw_0281_washer_lock_.3125
8	2	Hdw_0210_seal_11138CR
9	2	Brg_0024 Bearing, thrust 7304BYG
10	1	Bls_0039_thrust_bearing_retainer
11	1	Bls_0325_screw_x_axis_3250_nsk_emc
12	6	Hdw_0482_screw_socap_.3125_18x.5
13	1	Hdw_1196_screw_hexcap_g8_.5_13_unc_x_1
14	1	Plm_0245_fttng_hdrlc_grs_m6x1_mle_45deg
15	1	Bls_0207_x_y_motor_adapter_channel
16	4	Hdw_0481_screw_socap_.3125_18x1
17	4	Hdw_0619_dowel_pin_.3125x1_steel
18	4	Hdw_0792_screw_hexcap_g8_.3125_18x1.25
19	1	Mtr_0141_motor_servo_baldr_3136_3016L_ac
20	4	Hdw_0280_washer_lock_split_.375
21	4	Hdw_0779_screw_socap_.375_16x1.25

HEAD ASSEMBLY



ITEM NO.	QTY.	PART NO.
1	1	Hed_0039_Hed_0041_Hed_0043_head_casting_machined_2016L_3016L_700ipm EMC
2	2	Hdw_0050_Washer_Hardened;1/2
3	16	Hdw_0481_screw_socap_.3125_18x1
4	1	Hdw_1199_bracket_pin_head_safety EMC
5	3	Mtr_0076_stand_off_spndl_mtr_7.5k
6	1	Mtr_0090_stand off_adj_spndl_mtr_7.5k
7	1	Plc_0042_nut_hex_1_20_x7.8_plt_chgr
8	2	Hdw_0558_screw_hexcap_q8_5_13x1.5
9	4	Hdw_0469_screw_socap_.50_13x4
10	1	Mtr_0075_plate_spindle_motor_mount_vmc15
11	2	Hdw_0464_Screw,Socap;1/2-13 X 1
12	1	Cwt_0012_counter_weight_rod

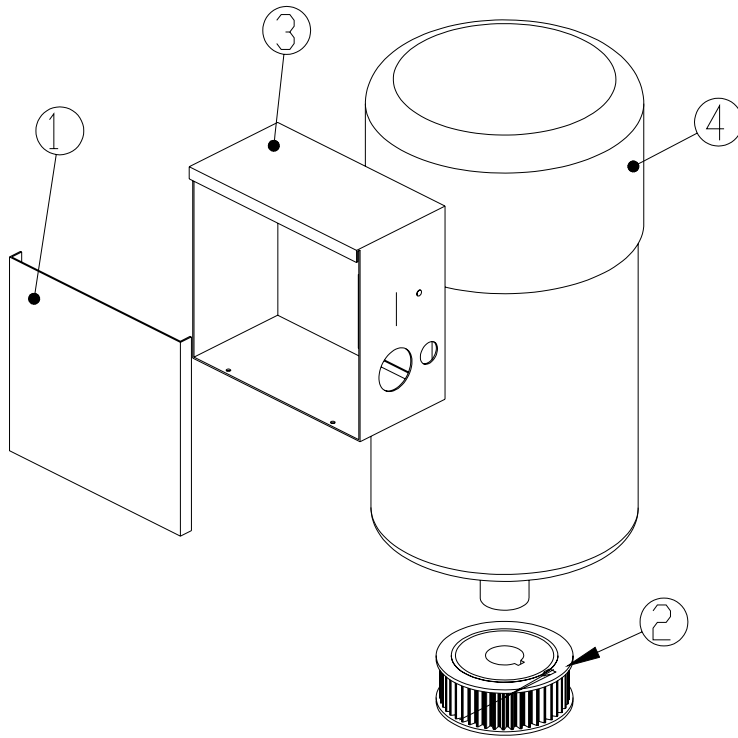
DRAWBAR CYLINDER ASSEMBLY



DRAWBAR CYLINDER ASSEMBLY

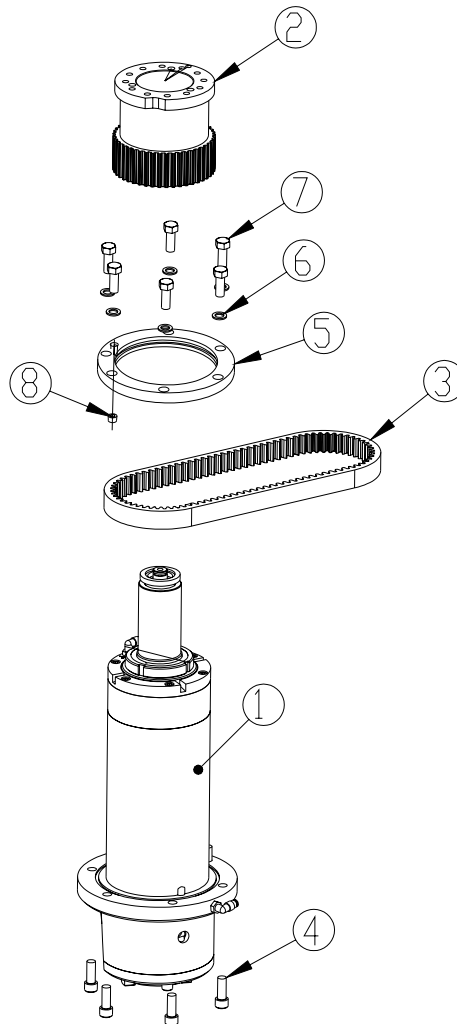
ITEM NO.	QTY.	PART NO.
1	1	Cvr_0224_cover_wires_motor_x_axis_FMC_2016L_3016L_pa13158
2	1	Cvr_0225_chain_carrier_assembly_F14-2-048_igus_FMC
3	1	Stm_0059_cover_atc_turret_21_tool_regular
4	2	Stm_0044_x_z_axis_c_s
5	1	Stm_0570_z_head_bottom_cover
6	1	Stm_0064_cover_head_core_all_vmc
7	1	Drb_0027_drawbar_cylinder
8	1	Drb_0023 Bushing drawbar cylinder
9	1	Drb_0017_db_cylinder_spring_pad
10	1	Drb_0009 Drawbar piston assembly
11	1	Drb_0007_piston_rod_tool_out_auto_hi_lo
12	1	Vlv_0069_valve_assy_drawbar
13	1	Hdw_0177_o_ring_2_111_437x.093_cs
14	1	Hdw_0178_o_ring_2_264_500x.125_cs
15	1	Hdw_0262_spring_1.406_1.75
16	1	Hdw_0575_screw_hexcap_gr8_.3125_18x.75
17	1	Hdw_0917_o_ring_q4114_buna_double_seal
18	1	Hdw_0048_washer_hardened_3125
19	6	Hdw_0320_screw_hexcap_gr8_.25_20x2
20	4	Hdw_0795_screw_hexcap_gr8_.25_20x.375
21	2	Hdw_0383_screw_button_socap_8_32x.375
22	4	Hdw_0346_screw_button_socap_.25_20x.5
23	6	Hdw_0279_washer_lock_split_25
24	1	Plm_0024_tubing_.375_nylon_per_ft

SPINDLE MOTOR ASSEMBLY



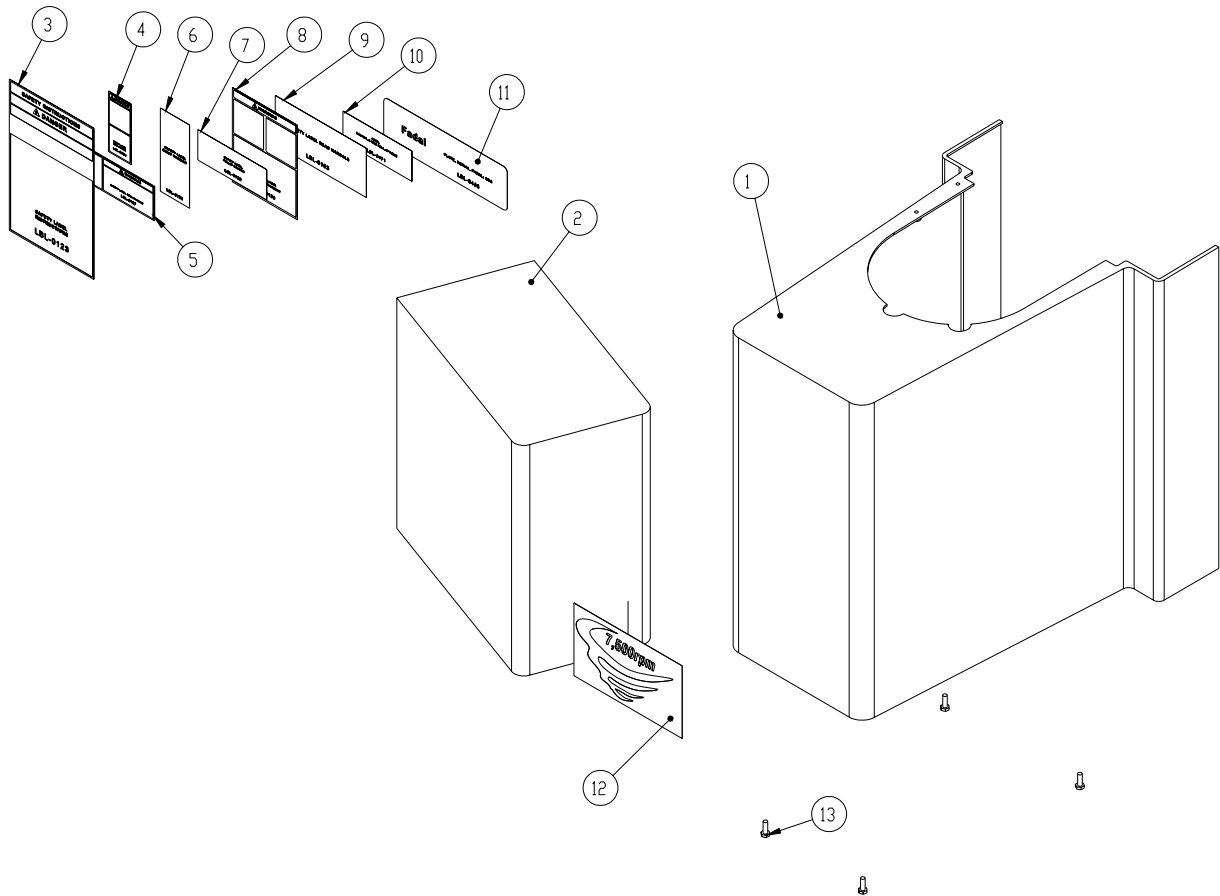
ITEM NO.	QTY.	PART NO.
1	1	Stm 1411 cover box conduit motor spindle EMC
2	1	Pul 0024 sprocket mtr polychain
3	1	Stm 1412 conduit box spindle motor EMC
4	1	Mtr 0194 mtr asy 5hp emc

SPINDLE ASSEMBLY



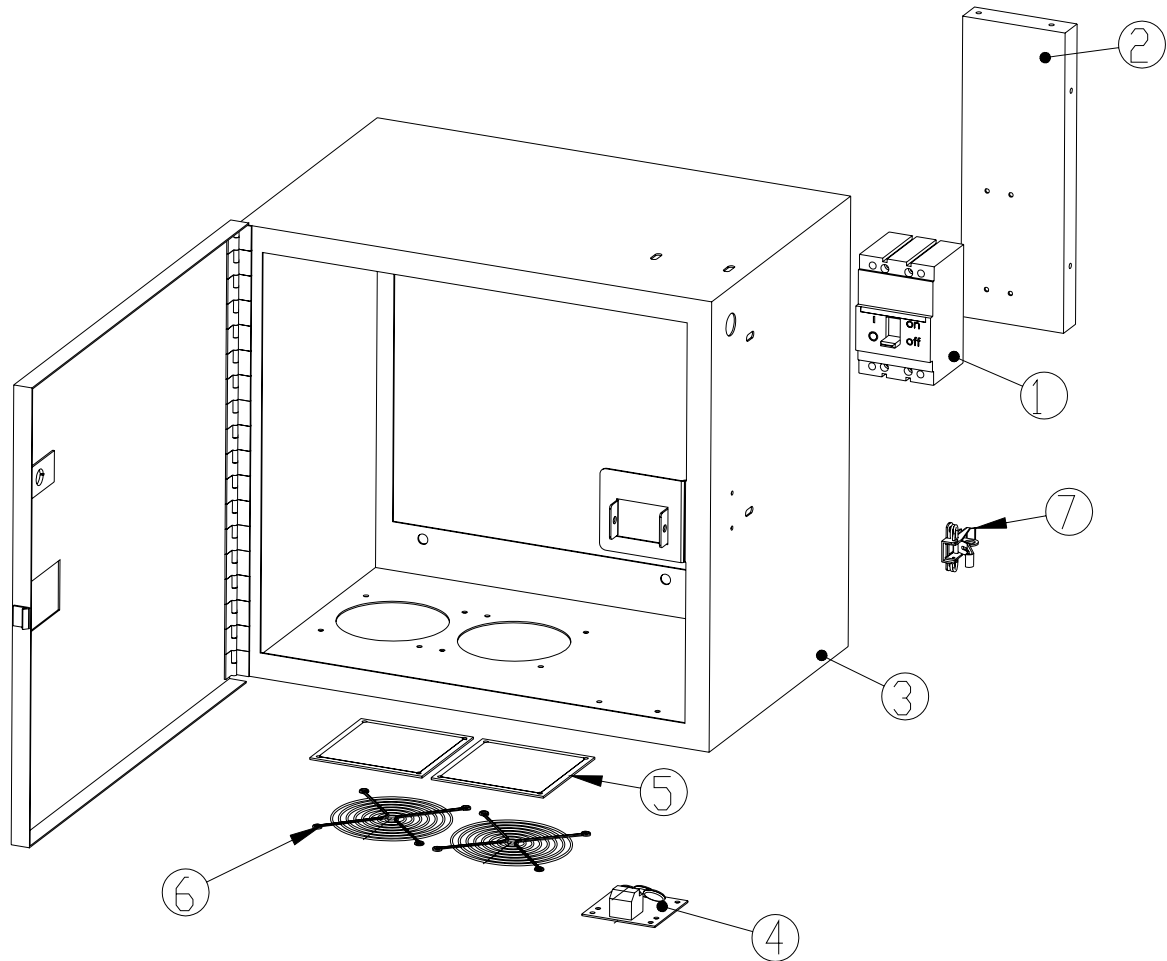
ITEM NO.	QTY.	PART NO.
1	1	Spn_0081_spindle_assy_non-lock_7.5K_grease
2	1	Pul_0025_sprocket_spn_polychain_std
3	1	Bel_0006_belt_8mgt_800_21_polychain_gt2
4	6	Hdw_0470_screw_socap_.375_16x1
5	1	Spn_0042c Retainer spindle upper
6	6	Hdw_0275_390x625x060_fw_ylw_zc_washer
7	6	Hdw_0568_screw_hexcap_gr8_.375_16x1
8	1	Hdw_0422_plug_pressure_.125_x_18

HEAD COVER ASSEMBLY



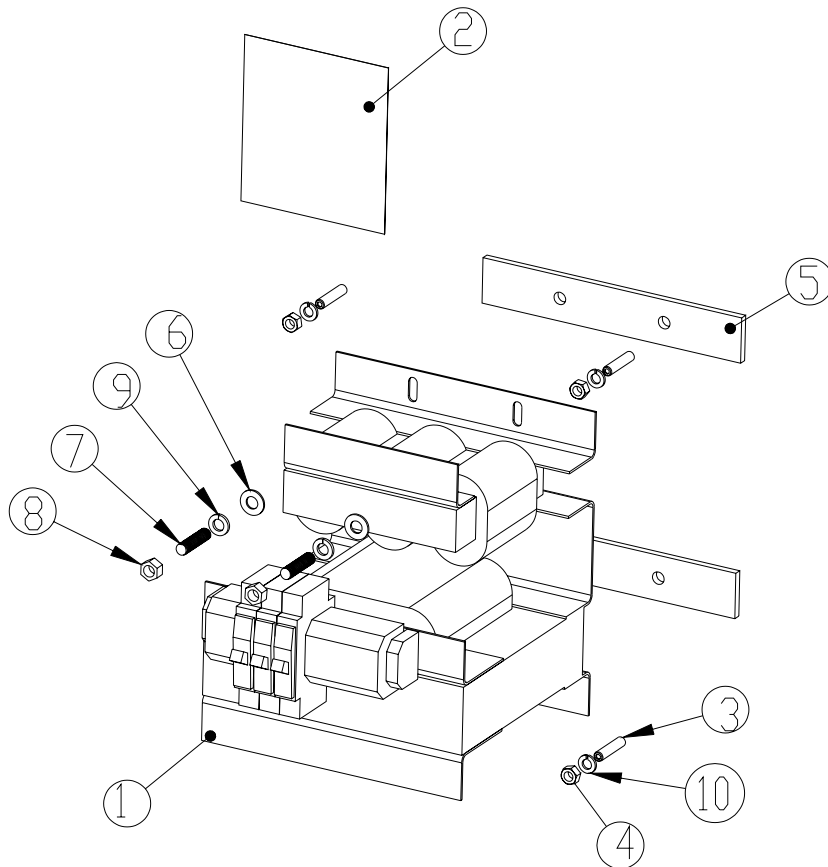
ITEM NO.	QTY.	PART NO.
1	1	Cvr_0217 cover_head_fiberglass EMC
2	1	Stm_1427 cover_front_slide_rail_atc EMC
3	1	Lbl_0123 safety_label_instructions
4	1	Lbl_0124 safety_label_tool_danger
5	1	Lbl_0127 safety_label_tool_warning
6	1	Lbl_0128 safety_label_elect_warning
7	1	Lbl_0129 safety_label_pulley_danger
8	1	Lbl_0130 safety_label_eye_ear_warning
9	1	Lbl_0163 safety_label_read_manuals
10	1	Lbl_0471 lbl_danger_z_axis_fall_spn_emc
11	1	Lbl_0485 plate_serial_fadal_emc
12	1	Lbl_0215 label_7500_rpm
13	4	Hdw_0322 screw_hexcap_gr8_.25_20x.75

TRANSFORMER CABINET ASSEMBLY



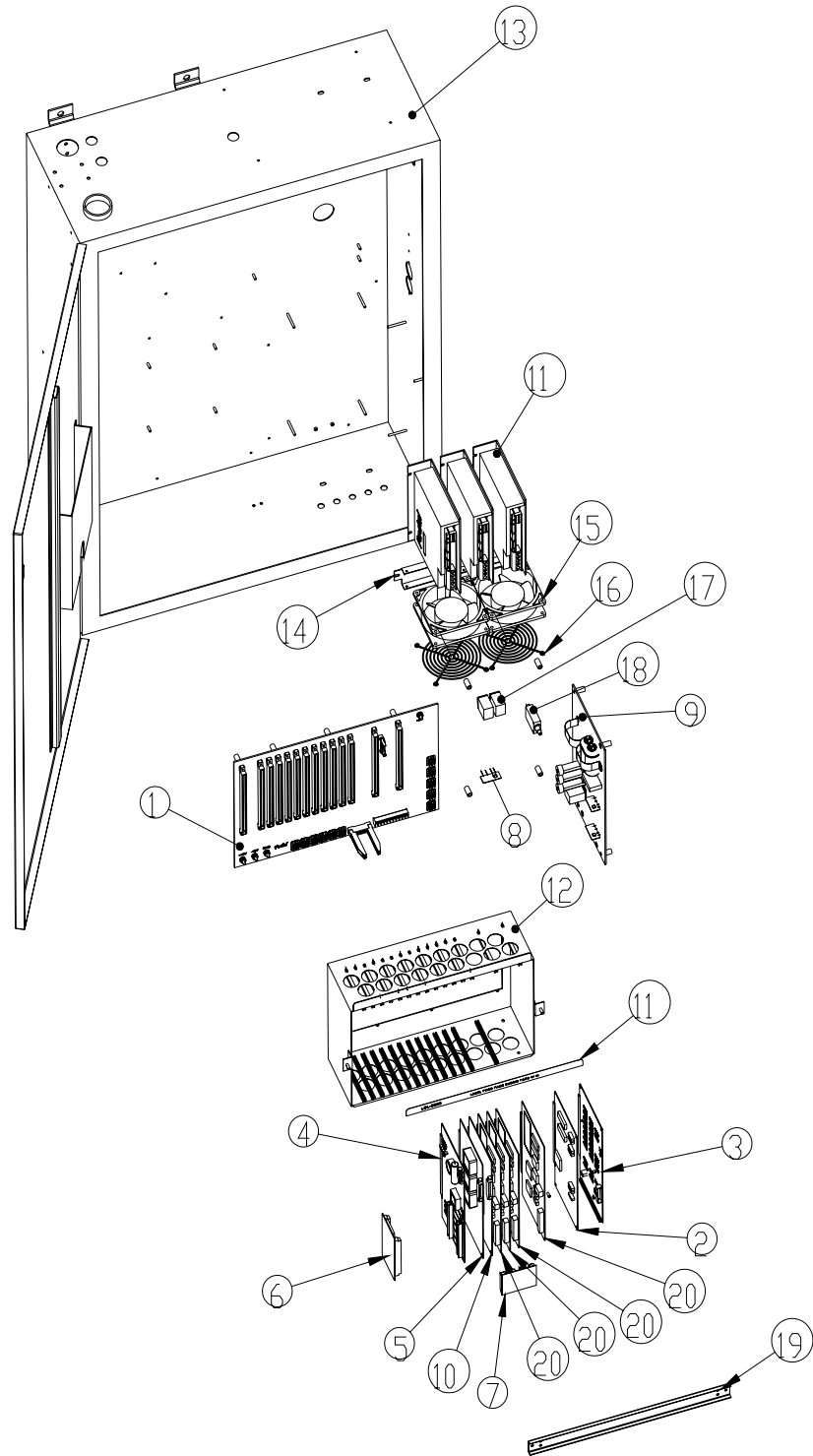
ITEM NO.	QTY.	PART NO.
1	1	Ele_1511_circuit_breaker_30amp_EMC
2	1	Stm_1408_bracket_mounting_disconnect_EMC
3	1	Stm_1406_cabinet_transformer_assembly_EMC
4	1	Ele_0776_pcb_bare_1170_2
5	2	Hdw_0849_screen_slim_line
6	2	Hdw_0850_finger_guard_4x4_fan
7	1	Hdw_0925_cab_latch_spring_short_blade

TRANSFORMER ASSEMBLY



ITEM NO.	QTY.	PART NO.
1	1	Ele_0982_transformer_T812_assembly
2	1	Lbl_0486_label_maintenance_english_emc
3	4	Hdw_0407_screw_set_cup_.3125_18x1.5
4	4	Hdw_0640_nut_hex_.3125_18_plain_steel
5	2	Hdw_0513_pad_50_neoprene_9x1.5x.25
6	4	Hdw-0049 Washer,Hardened;3/8
7	4	Hdw_1057_stud_.375_16x1.75_dbl_end_thrd
8	4	Hdw_0333_nut_hex_.375_16_plain_steel
9	4	Hdw_0280_washer_lock_split_.375
10	4	Hdw_0281_washer_lock_.3125

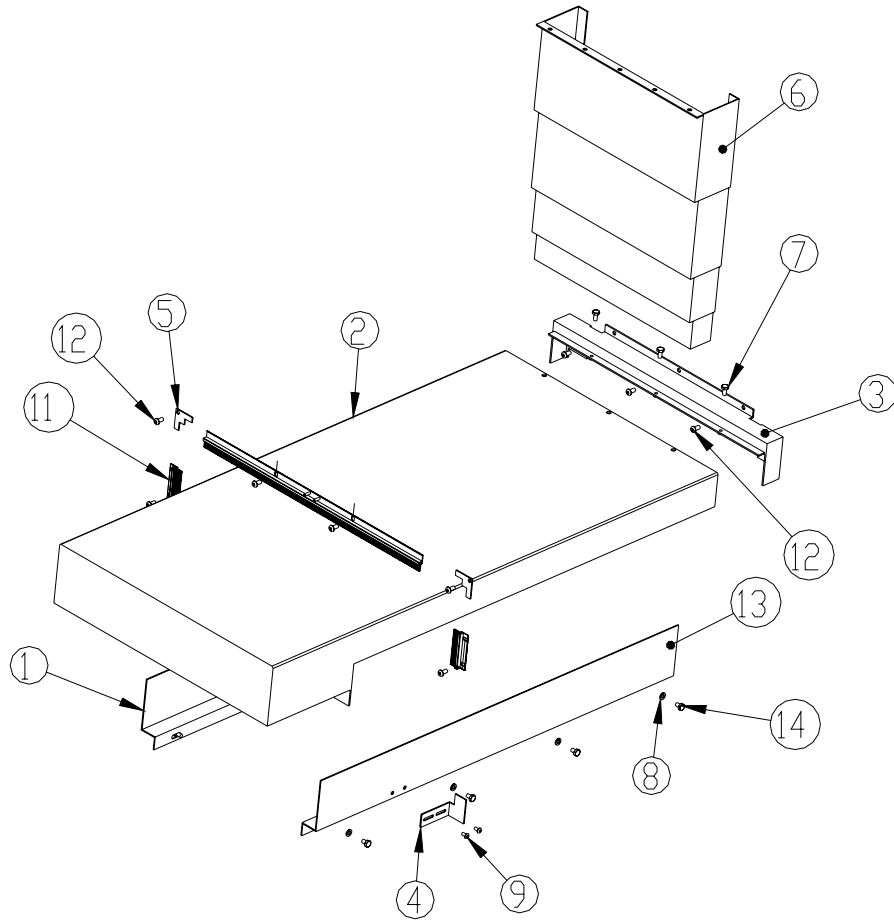
CNC CONTROL BOX ASSEMBLY



CNC CONTROL BOX ASSEMBLY

ITEM NO.	QTY.	PART NO.
1	1	Pcb 0009 pcb motherboard 1060 0c
2	1	Pcb 0000 pcb clock card 1020 1b
3	1	Pcb 0005 pcb mill int pallet chg 1040
4	1	Pcb 0030 pcb cpu 1400 5 system 38k
5	1	Pcb 0127 vga enhanced graphics 1420 6a
6	1	Pcb 0159 pcb module sys 97 english
7	1	Pcb 0189 pcb board 1730 5a aff
8	3	Ele 0937 relay ss special green 1amp
9	1	Pcb 0195 pcb asy populated 1100 2g
10	1	Pcb 0206 pcb cmpr intrfc 1030 1c
11	1	Lbl 0200 label card cage shows card num
12	1	Stm 0398 card rack
13	1	Stm 1409 ac cnc control box emc
14	1	Stm 1410 bracket fan EMC
15	1	Amp 0066 housing fan
16	2	Hdw 0850 finger guard 4x4 fan
17	2	Ele 0072 relay 5a 120vac mechanical
18	1	Ele 0098 circuit breaker 2.5 amp
19	1	Stm 0040 card retainer
20	4	Pcb 0217 pcb axis controler configurable

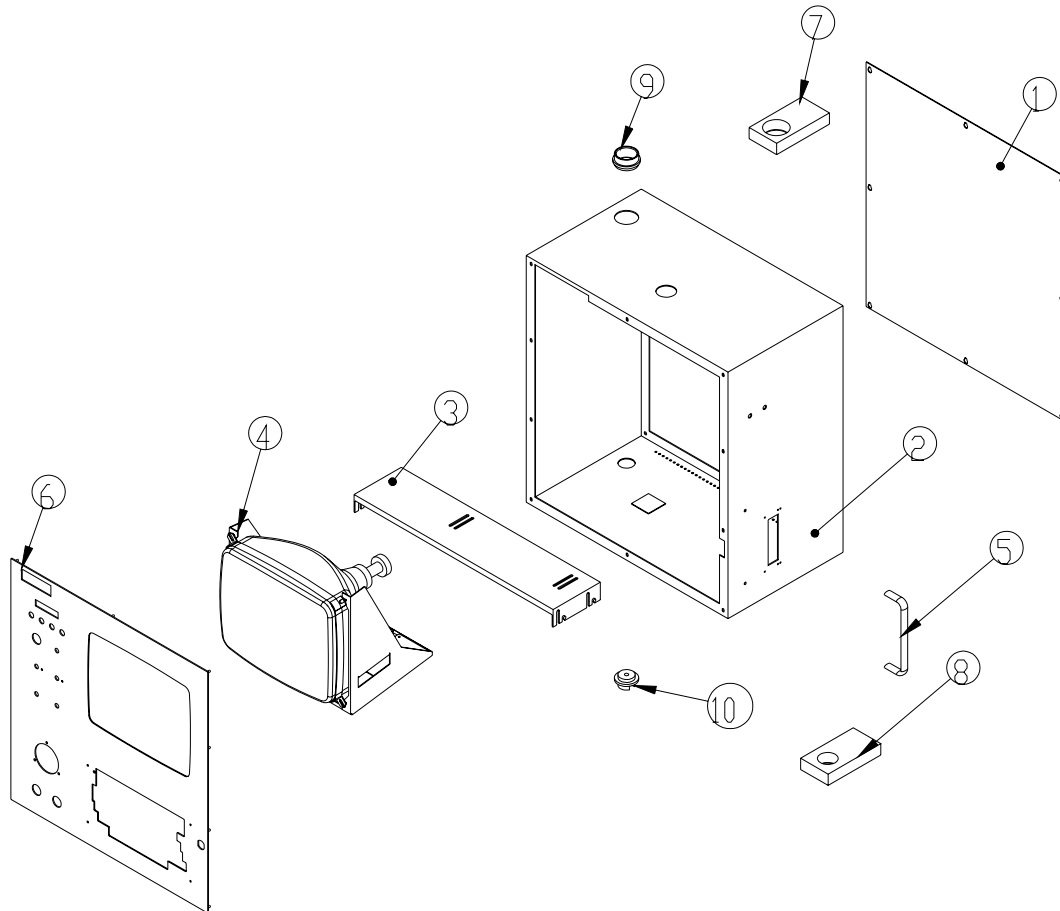
AXIS COVERS ASSEMBLY



AXIS COVERS ASSEMBLY

ITEM NO.	QTY.	PART NO.
1	1	Cvr_0216_yaxis_way_cover_side_panel_assembly_weldment_base EMC
2	1	Cvr_0058_y_axis_cover_914007
3	1	Cvr_0084_cover_y_axis_way
4	1	Stm_0224_adapter_cover_y_axis_way_right_914007_5
5	2	Stm_0628_clamp_y_wiper_front_rear_15xt
6	1	Cvr_0057_cover_way_z_axis
7	3	Hdw_0319_screw_hexcap_gr8_25_20x.5
8	8	Hdw_279_washer_lock_split_25
9	2	Hdw_0349_screw_button_socap_10_32x.375
10	1	Hdw_0905_brush_holder_long_wiper_vmc15
11	2	Hdw_0906_brush_holder_short_wiper_vmc15
12	9	Hdw_0346_screw_button_socap_25_20x.5
13	1	Cvr_0216_yaxis_way_cover_side_panel_weldment_base EMC
14	8	Hdw_0795_screw_hexcap_gr8_25_20x.375

PENDANT ASSEMBLY



ITEM NO.	QTY.	PART NO.
1	1	Stm 1405 back panel pendant multi processor EMC
2	1	Stm 1404 box pendant multi processor assembly EMC
3	1	Stm 0951B support monitor cnc multi processor
4	1	Ele 1072 monitor 14 vga flat b&w
5	1	Hdw 0182 handle alum A1035 PL
6	1	Ctr 0134 Control panel cnc multi processor
7	1	Ctr 0006 monitor mount 2.00 id upper
8	1	Ctr 0005 monitor mount 1.5 id lower
9	1	Hdw 0957B cabinet bushing 904166 5
10	1	Ctr 0007 bushing cabinet 904166 2