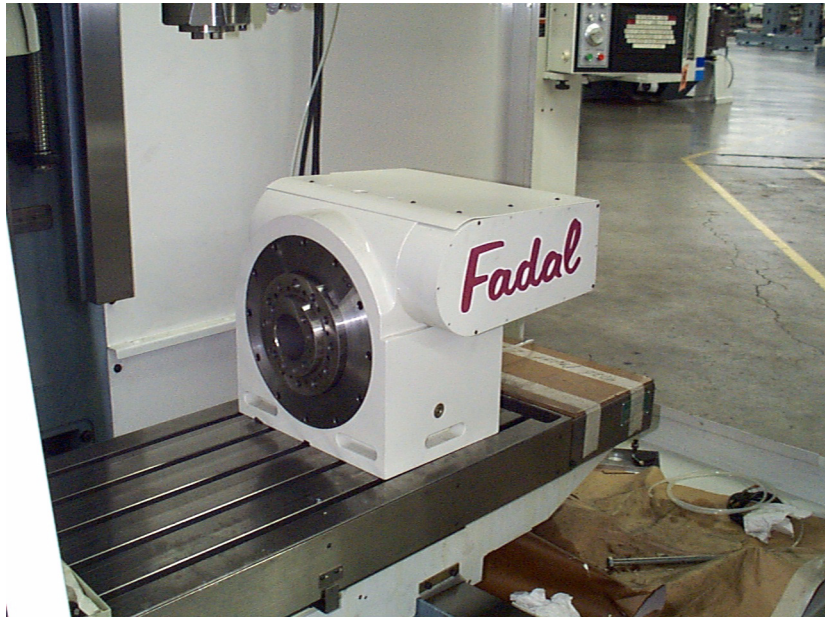


Parts Manual VMC OPTIONS



HYDROSWEEP	2
PALLET CHANGER	5
15K AIR/OIL SPINDLE	12
VH5C ROTARY TABLE	13
VH65 ROTARY TABLE	16
TR65 ROTARY TABLE	19
DUAL VH65 ASSEMBLY	25
ROTARY ACCESSORIES	27
32 MP PENDANT ASSY	28
HYDRAULIC BRAKE	29
REMOTE MPG	30
SERVO COOLANT	31
FLOPPY / ZIP DRIVES	32
300/400 ROTARY TABLE BOX	33
FULL ENCLOSURE SHEETMETAL	36
CHAIN HOIST SHEETMETAL 3020	38
CHAIN HOIST SHEETMETAL 4020S	39
CHAIN HOIST SHEETMETAL 4525	40
CHAIN HOIST SHEETMETAL 6535	41
50 TAPER SPINDLE	42
500 TAPER SPINDLE B.O.M.	43



This reference covers the following Fadal products:

VMC Options Parts Manual

Corporate Office..... voice (818) 407-1400 fax (818) 407-0020
Service / Parts voice (818) 727-2100 fax (818) 407-1004
Programming Support voice (818) 727-2100 fax (818) 407-0061

support@fadal.com
20701 Plummer Street, Chatsworth, California 91311 USA

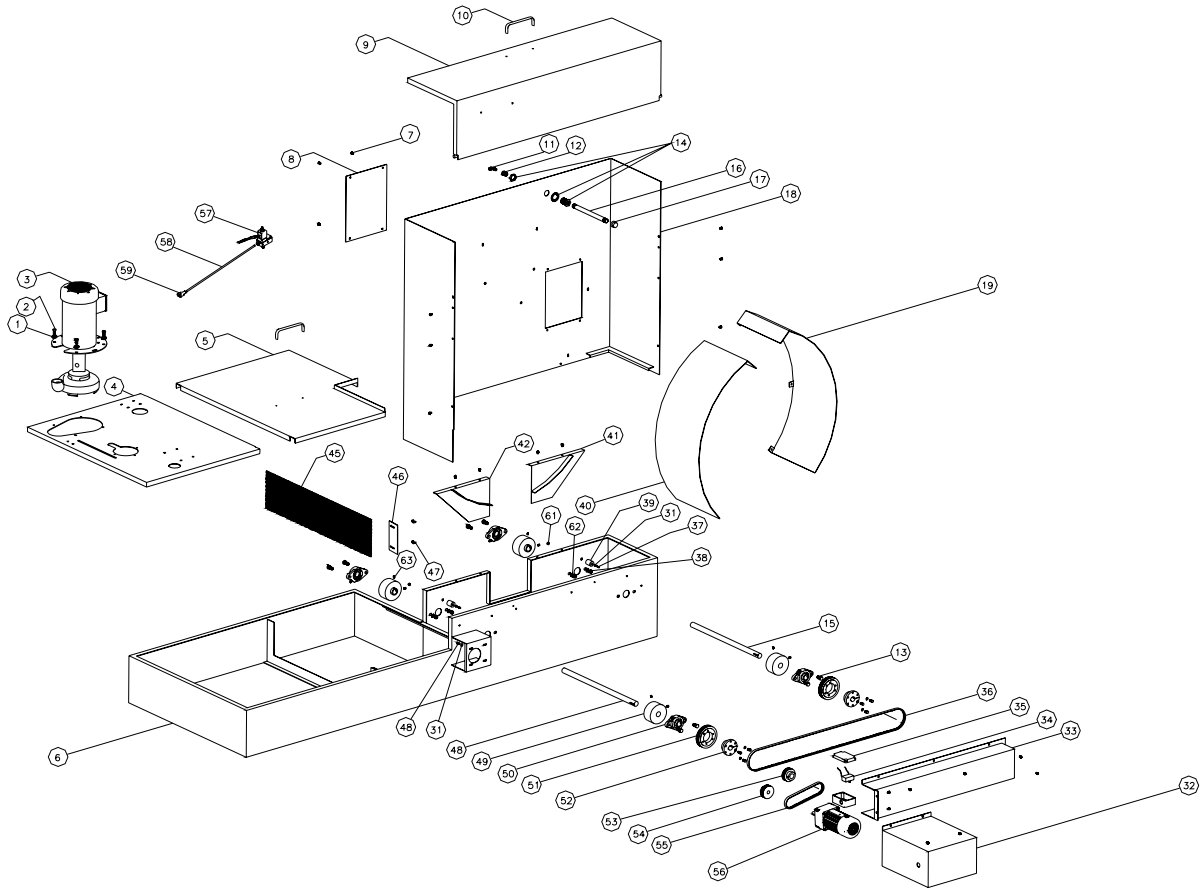
The content of this manual has been reviewed for accuracy and is applicable to current Fadal hardware and software products as described herein. Differences may exist and we cannot guarantee that they are completely covered in this document. The information in this document is reviewed regularly and any necessary changes will be incorporated in the next revision. We welcome any suggestions for improvement.

Material is subject to change without notice.

This manual is for the exclusive use of Fadal Customers and Distributors. The reproduction, transmission or use of this document or its contents is not permitted without the expressed written permission of Fadal Machining Centers. All rights, including rights created by patent grant or registration of a utility, model or design, are reserved.

© Copyright 2002 Fadal Machining Centers.

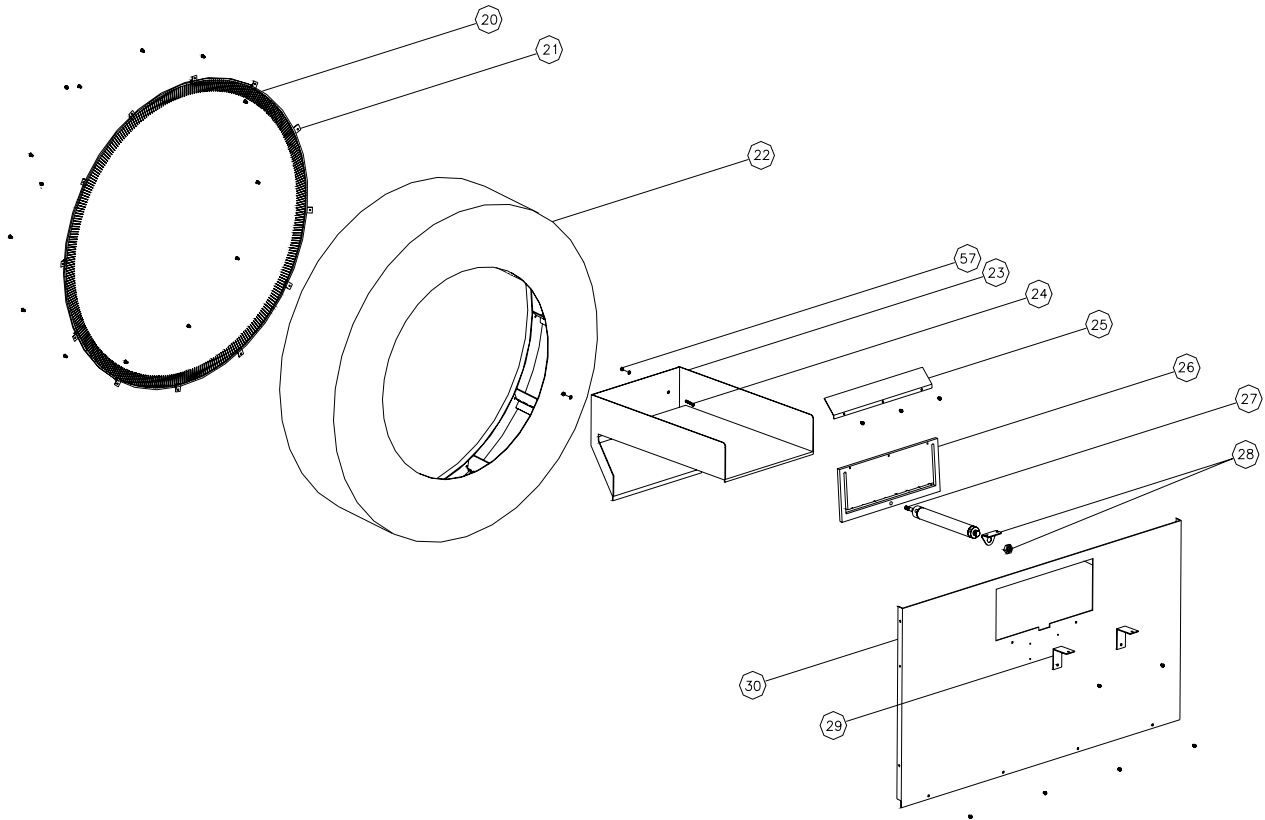
HYDROSWEEP



ITEM	QTY.	PART DESCRIPTION	PART NO.
1	6	WASHER, LOCK SPLIT; 3/8	HDW-0280
2	4	SCREW,HEX GRDE A GR8;3/8-16 x .75	HDW-0571
3	1	MOTOR/PUMP ASSY,HYDROSWEEP 3-HP	PMP-0010
4	1	TANK TOP, 3 HOLE; HYDROSWEEP PUM	STM-0652
5	1	TANK TOP, HYDROSWEEP SCREEN	STM-0653
6	1	COOLANT TANK; HYDROSWEEP	STM-0667
7	48	SCREW,BUTTOM SOCP; 1/4-2 x 3/8	HDW-0347
8	1	ACCES COVER, DRUM CABINET	STM-0655
9	1	TILT DOOR,DRUM COVER;HYDROSWEEP	STM-0206
10	2	HANDLE, ALUMINUM; 6.5" LONG	HDW-0182
11	1	FITTING 1/4 QD x 1/4 MIPT	PLM-0044
12	1	FITTING, BULKHEAD 1/4 x 1.0	HDW-0394
13	8	SCREW HEXCAP G5 7/16-14 x 1 1/2.	HDW-0567
14	1	FITTING BULKHEAD 1/2 x 1 1/2	PLM-0081
15	1	AXLE, DRUM ROLR,HYS; 1 x 20-FRONT	HDW-0242
16	1	PIPE, AIR, HYDROSWEEP	HDW-1052
17	1	END CUP, FITTING, PVC 1/2 NPT.	HDW-1053
18	1	COVER, BACK DRUM; HYDROSWEEP	STM-0654
19	1	CHIP TRACK - RIGHT	STM-0761
20	2	BRUSH ASSY, HYDROSWEEP DRUM	HDW-0243
21	12	CLAMP .75 DRUM BRUSH	HDW-0244
22	1	DRUM (HYDROSWEEP)	STM-0201 3/8"
23	1	DROP TRAY; HYDROSWEEP	STM-0663
24	2	SCREW, BUTTOM SOCAP; 3/8-16X 3/4	HDW-0345
25	1	RAM SHIELD, CHIP CHUTE; HYDROSWEEP	STM-0221
26	1	RAM, CHIP CHUTE; HYDROSWEEP	HYS-0004
27	1	CYLINDER, 11" HYDROSWEEP RAM	CYL-0001
28	1	BRACKET, CYLINDER; HYDROSWEEP	CYL-0012
29	2	BRACKET., DROP TRAY SUPPORT; FRNT	STM-0210
30	1	MAIN DRUM COVER TOP	STM-0205

ITEM	QTY.	PART DESCRIPTION	PART NO.
31	4	WHASER HARDENED; 1/4	HDW-0047
32	1	COVER, GEARMOTOR; HYDROSWEEP	STM-0665
33	1	COVER, BELT; HYDROSWEEP	STM-0664
34	1	CAPACITOR, HYDROSWEEP DRUM MTR	MTR-0062
35	1	984 BODINE BOX KIT	MTR-0122
36	1	BELT, ROLLER TO ROLLER; 817L050	BEL-0011
37	4	SCREW, BUTTOM SCP;1/4-20 x 1-1/4	HDW-0296
38	4	WASHER, LOCK-SPLIT;1/4	HDW-0279
39	4	DRUM GUIDE, NYLON	HYS-0005
40	1	CHIP TRACK-LEFT	STM-0760
41	1	CHIP SHIELD, RT; INNER DRUM; HYD	STM-0219
42	1	CHIP SHIELD, LFT, INNER DRUM; HYD	STM-0218
43	1	HEX NUT 3/8-16	HDW-0333
44	1	MOTOR, HYDROSWEEP DRUM-26 RPM	MTR-0061
45	4	SCREEN, TANK; HYDROSWEEP	STM-0211
46	1	HYDRO TANK FILTER BRACKET	STM-0667 3/8"
47	1	NUT, WING; 1/4-20, ZINC PLATED	HDW-0136
48	1	AXLE,DRUM ROLR, HYD;1 x 22 - REAR	HDW-0241
49	4	DRUMM ROLLER, HYDROSWEEP	HDW-0240
50	2	FY11TM FLANGED BEARING	BRG-0110
51	2	36L050SDS BUSHING PULLEY	PUL-0037
52	2	SDS 1" BUSHING	PUL-0040
53	1	PULLEY INPUT DRV 1.00 MOD BORE	PUL-0043
54	1	PULLEY INPUT DRV .625 MOD BORE	PUL-0042
55	1	BELT, MTR TO ROLLER; 210L050	BEL-0010
56	1	MOTOR,HYDROSWEEP DRUM - 26 RPM	MTR-0061
57	1	VALVE ASY, COMPAIR, 1-VALVE/MAN	VLV-0053
58	15'	TUBING, 1/4 NYLON/PER FT	PLM-0023
59	1	FITTING, 1/4 QD x 1/4 QD WYE	PLM-0050

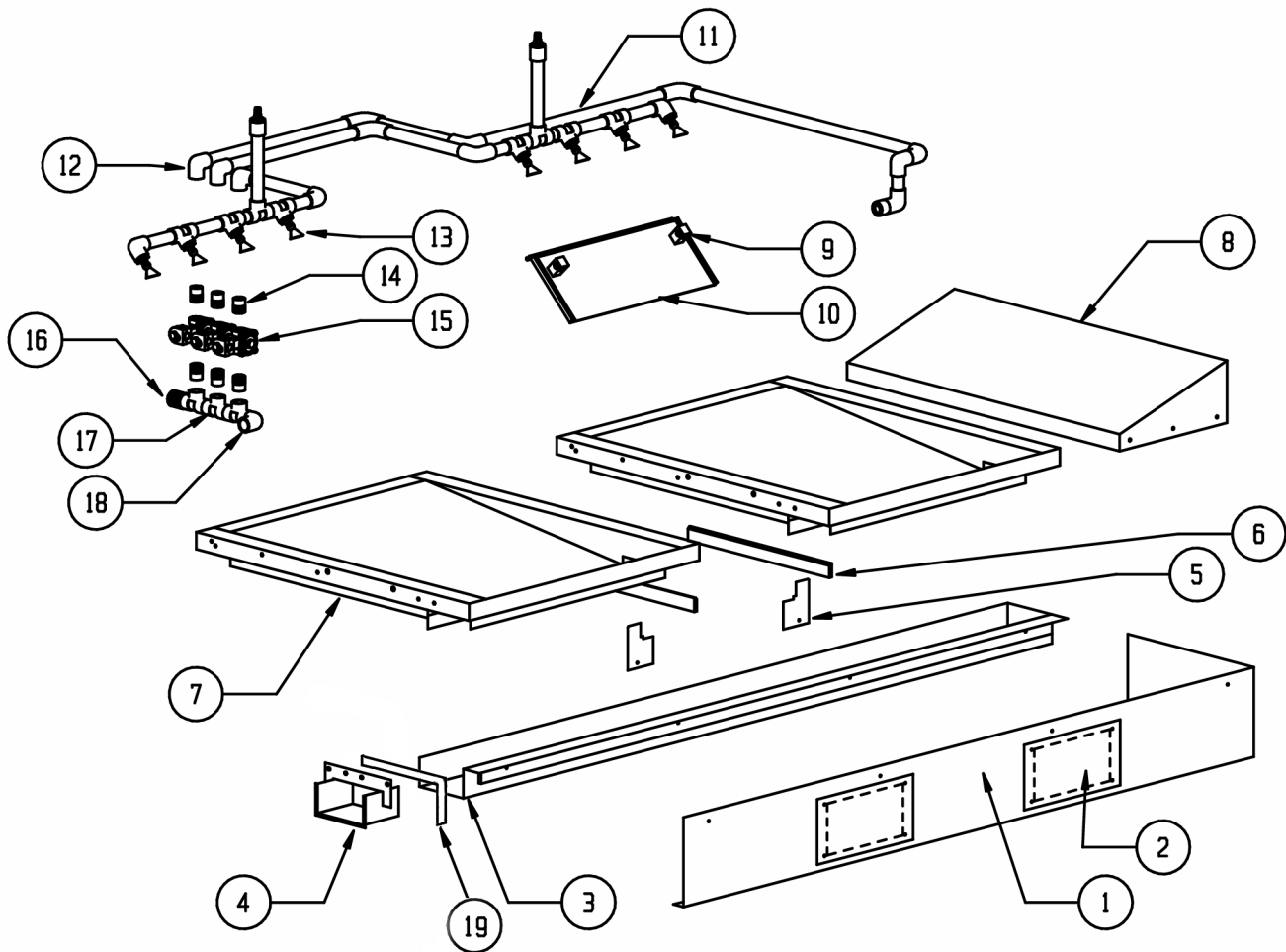
HYDROSWEEP



HYDROSWEEP

	PART #		PART #		PART #		PART #
1	WIR-0612	13	HDW-0317	24	HDW-0363	33	HDW-0281
2	WIR-0611		HDW-0048	25	CWT-0005	34	HDW-0319
3	MTR-0142	14	BLS-0042	26	CWT-0002	35	BLS-0105
4	WIR-0558	15	BRG-0023	27	HDW-0600	36	BLS-0032
5	WIR-0559	16	BLS-0041	28	PUL-0034	37	HDW-0049
6	MTR-0126	17	HDW-0297	29	HDW-0777	38	HDW-0315
7	CVR-0074	18	HDW-0655	30	CWT-0007	39	HDW-0347
8	STM-0072	19	HDW-0050	31	HDW-0205	40	STM-0043
9	CVR-0072	20	CWT-0018	32	BLS-0024 (28")	41	
10	STM-0300	21	HDW-0335		BLS-0031 (20")	42	MTR-0189
11	STM-0301	22	HYS-0029			43	HDW-0280
12	STM-0044	23	HDW-0204			44	HDW-0779

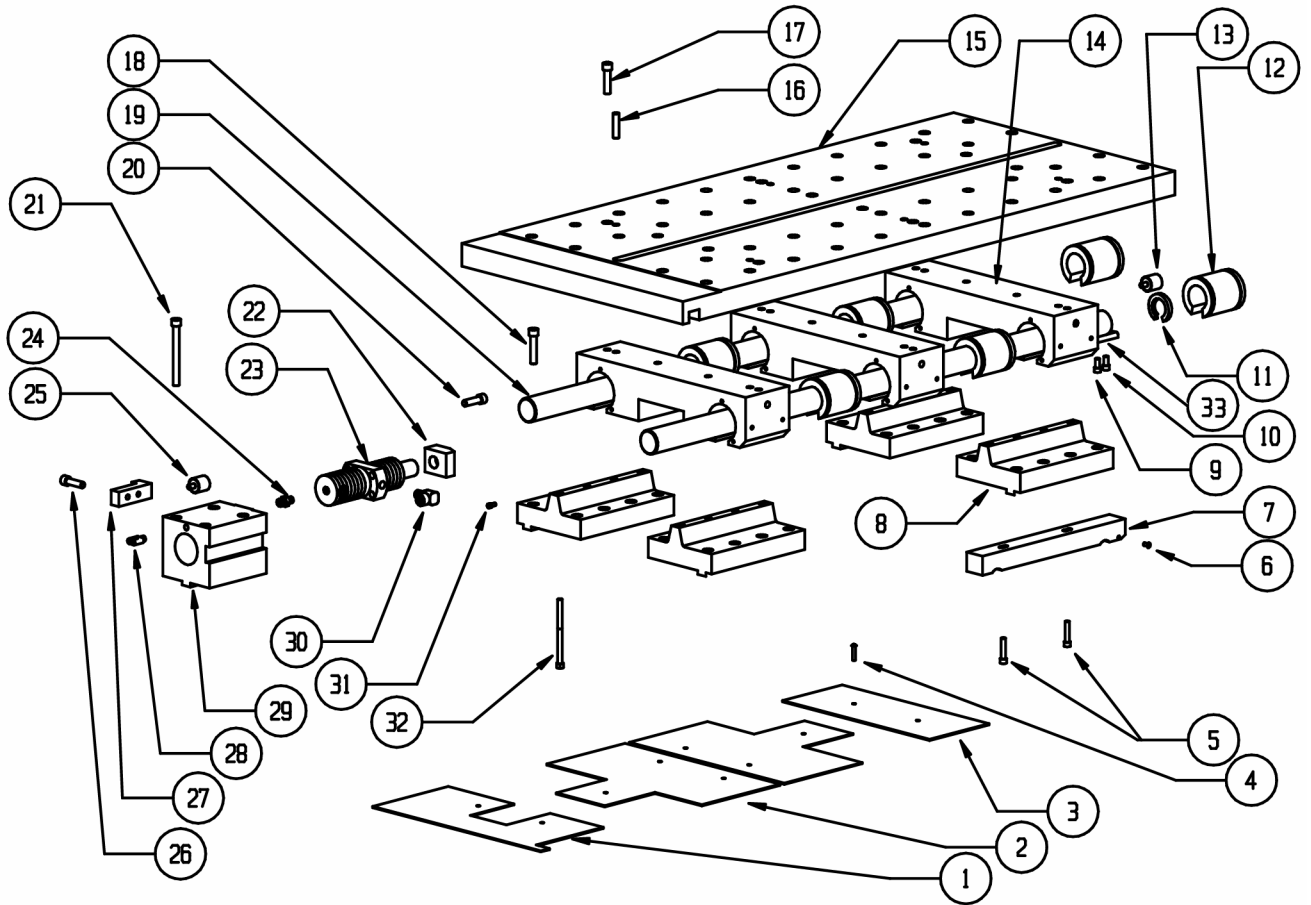
HYDROSWEEP



HYDROSWEEP

	PART #		PART #		PART #
1	STM-0672 (VMC 2216,3016)	6	HYS-0024	13	PLM-0124
	STM-0666 (VMC 4020)	7	STM-0680 (VMC 2216,3016)	14	HYS-0006
	STM-0213/0444 (VMC 6030)		STM-0204(VMC-4020)	15	VLV-0022
	STM-0461/0460 (VMC 8030)		STM-0207 (VMC 6030,8030)	16	PLM-0132
2	STM-0299	8	STM-0417 (VMC6030)	17	PLM-0128
3	STM-0222 (VMC 2216,3016)		STM-0418 (VMC 8030)	18	PLM-0129
	STM-0200 (VMC 4020,6030,8030)	9	HYS-0025	19	HDW-0544
4	STM-0212 (VMC 2216,3016,4020)	10	CVR-0056 (2216/3016)		
	STM-0208 (VMC 6030)		CVR-0042 (4020)		
	STM-0209 (VMC 8030)		CVR-0049 (6030/8030)		
5	STM-0458 (VMC 8030)	11	PLM-0131		
	STM-0459 (ALL OTHERS)	12	PLM-0125		

PALLET CHANGER



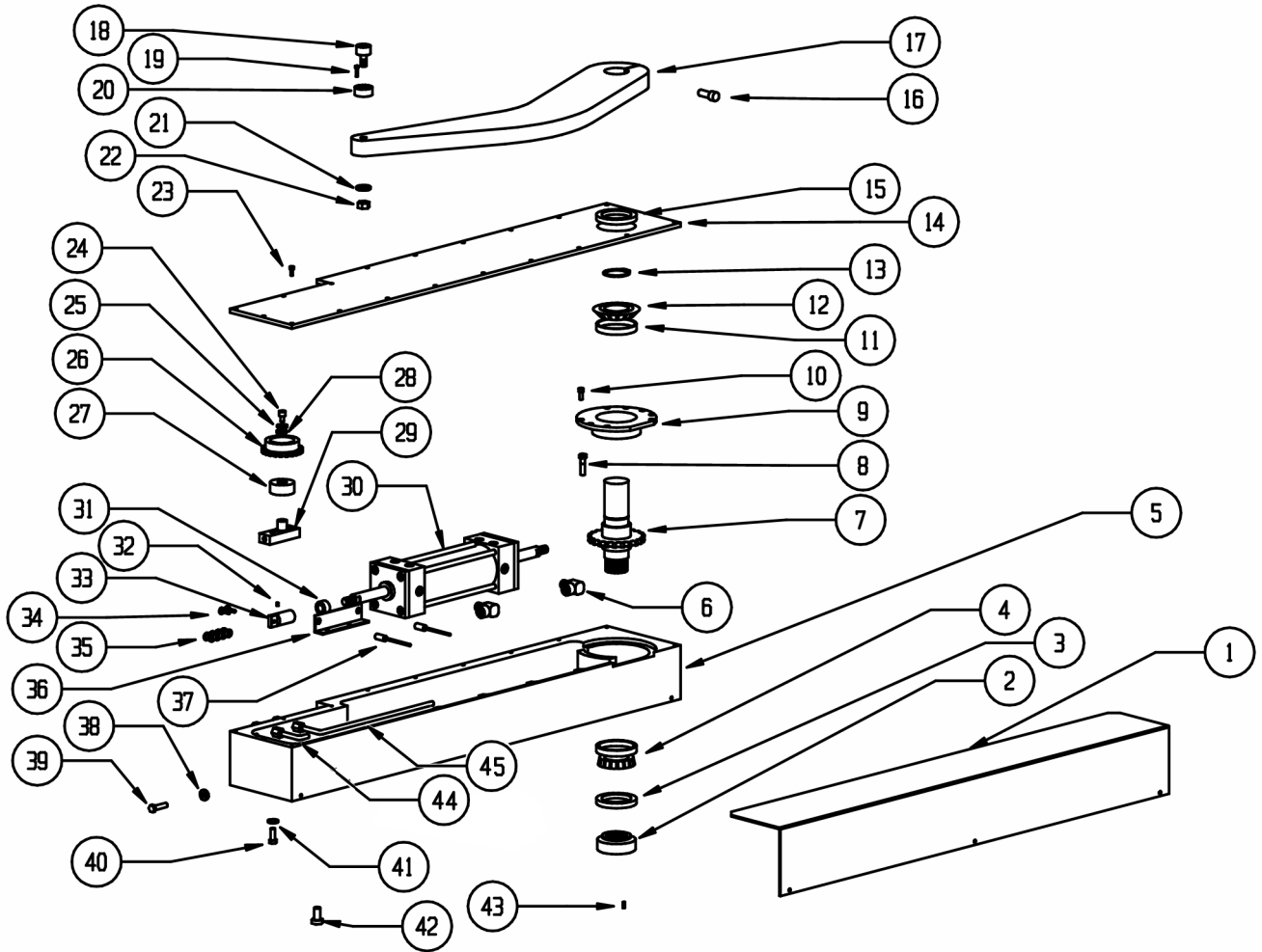
PALLET CHANGER

	PART #		PART #		PART #		PART #
1	STM-0193	9	HDW-0304	17	HDW-0472	25	HDW-0238**
2	STM-0194	10	HDW-0301	18	HDW-0472	26	HDW-0472
3	STM-0195	11	HDW-0239	19	PLC-0011	27	PLC-0027**
4	HDW-0119	12	BRG-0046	20	HDW-0472	28	PLM-0034**
5	HDW-0570	13	HDW-0238	21	HDW-0477	29	PLC-0017**
6	HDW-0295	14	PLC-0070	22	910046**	30	HYD-0005**
7	PLC-0020	15	PLC-0009*	23	HYD-0001**	31	HDW-0295**
8	PLC-0010	16	HDW-0617	24	PLM-0039**	32	HDW-0289
						33	PLC-0080

*PLC-0009 THREADED HOLES ALTERNATE UNTHREADED HOLES PLC-0039

** ASSEMBLY PART # PLC-0005

PALLET CHANGER

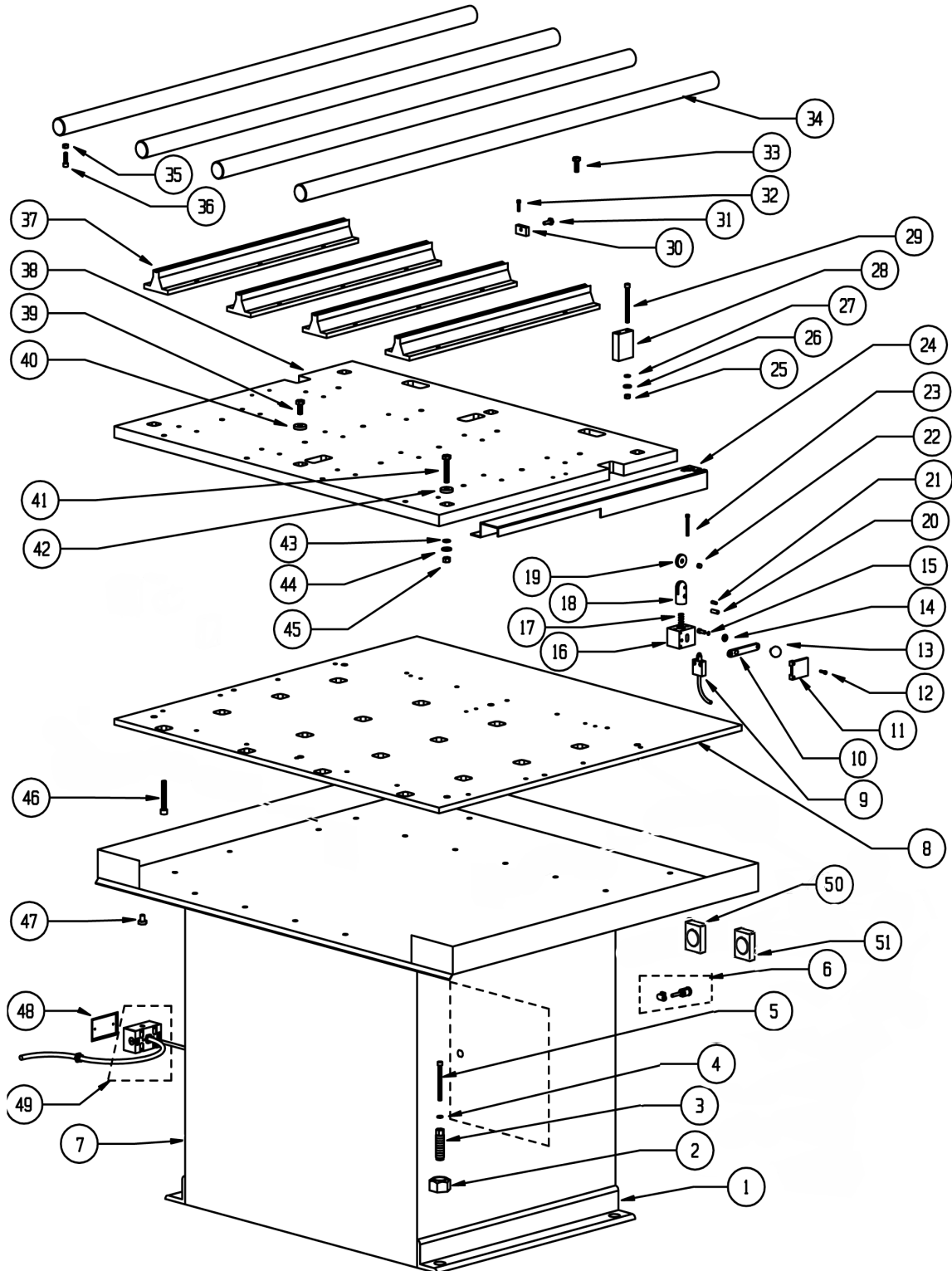


PALLET CHANGER

	PART #		PART #		PART #		PART #
1	STM-0272	12	BRG-0041	24	HDW-0575	36	PLC-0019
2	PLC-0073	13	HDW-0548	25	HDW-0048	37	ELE-0146
3	HDW-0235	14	PLC-0074	26	PUL-0035	38	HDW-0333
4	BRG-0041	15	HDW-0234	27	BRG-0044	39	HDW-0313
	BRG-0042	16	HDW-0470	28	HDW-0049	40	HDW-0313
5	PLC-0072*	17	PLC-0013	29	PLC-0015	41	HDW-0444
6	HYD-0023	18	BRG-0043	30	CYL-0010	42	HDW-0571
7	PLC-0018	19	HDW-0505	31	PLC-0025	43	HDW-0269
8	HDW-0472	20	PLC-0028	32	ELE-0786	44	HYD-0004
9	PLC-0008	21	HDW-0280	33	PLC-0016	45	HYD-0003
10	HDW-0304	22	HDW-0695	34	HDW-0237		
11	BRG-0042	23	HDW-0348	35	HDW-0236		

* COMPLETE HYDRAULIC PALLET ARM HOUSING ASSY PLC-0002

PALLET CHANGER

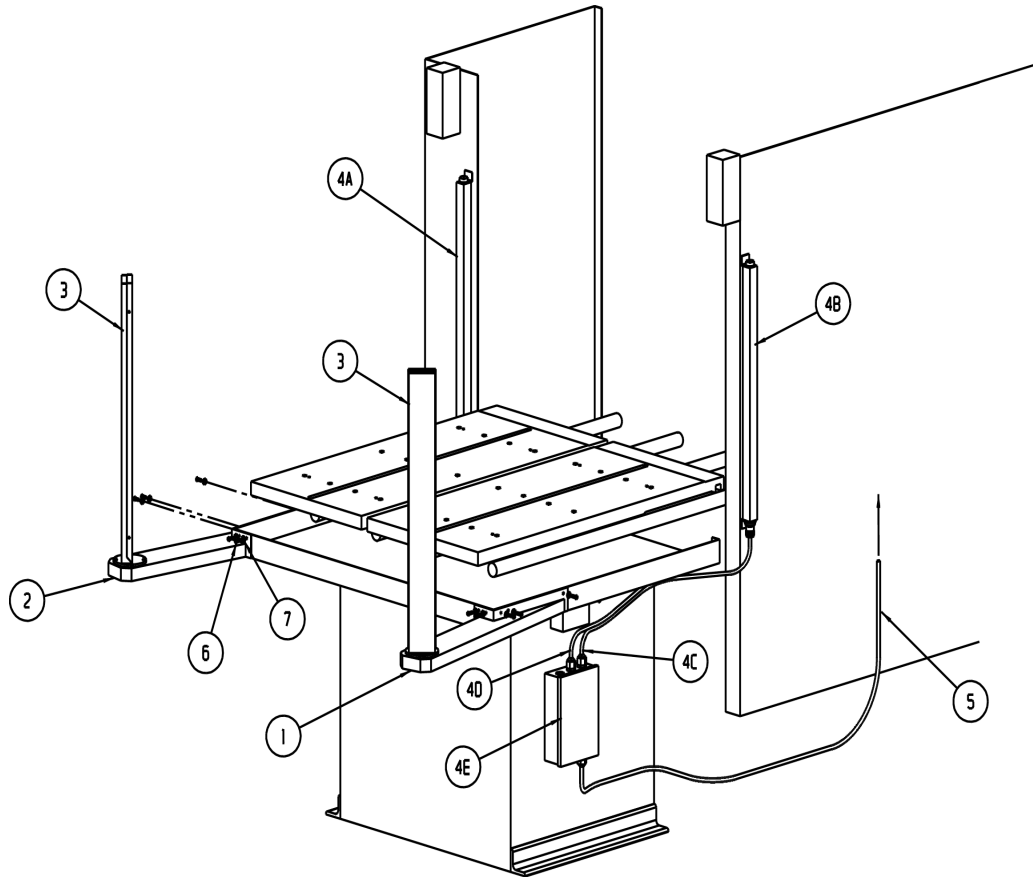


PALLET CHANGER

PALLET CHANGER

	PART#		PART#		PART#		PART#
1	PLC-0067	16	PLC-0023	31	HDW-0314	46	HDW-0476
2	PLC-0042	17	HDW-0393	32	HDW-0294	47	HDW-0791
3	HDW-0988	18	PLC-0022	33	HDW-0314	48	WIR-0112
4	HDW-0280	19	PLC-0021	34	PLC-0012	49	WIR-0113
5	HDW-0478	20	HDW-0329	35	HDW-0333	50	WIR-0549
6	HDW-0218	21	HDW-0329	36	HDW-0779	51	WIR-0405
7	STM-0669	22	BRG-0045	37	HDW-0304		
8	PLC-0058	23	HDW-0489	38	PLC-0041/40		
9	ELE-0386	24	STM-0379	39	HDW-0559		
10	PLC-0076	25	HDW-0333	40	PLC-0077		
11	PLC-0075	26	HDW-0280	41	HDW-0655		
12	HDW-0303	27	HDW-0444	42	PLC-0077		
13	HDW-0749	28	PLC-0024	43	HDW-0050		
14	HDW-0275	29	HDW-0479	44	HDW-0451		
15	HDW-0571	30	HDW-0050	45	HDW-0543		

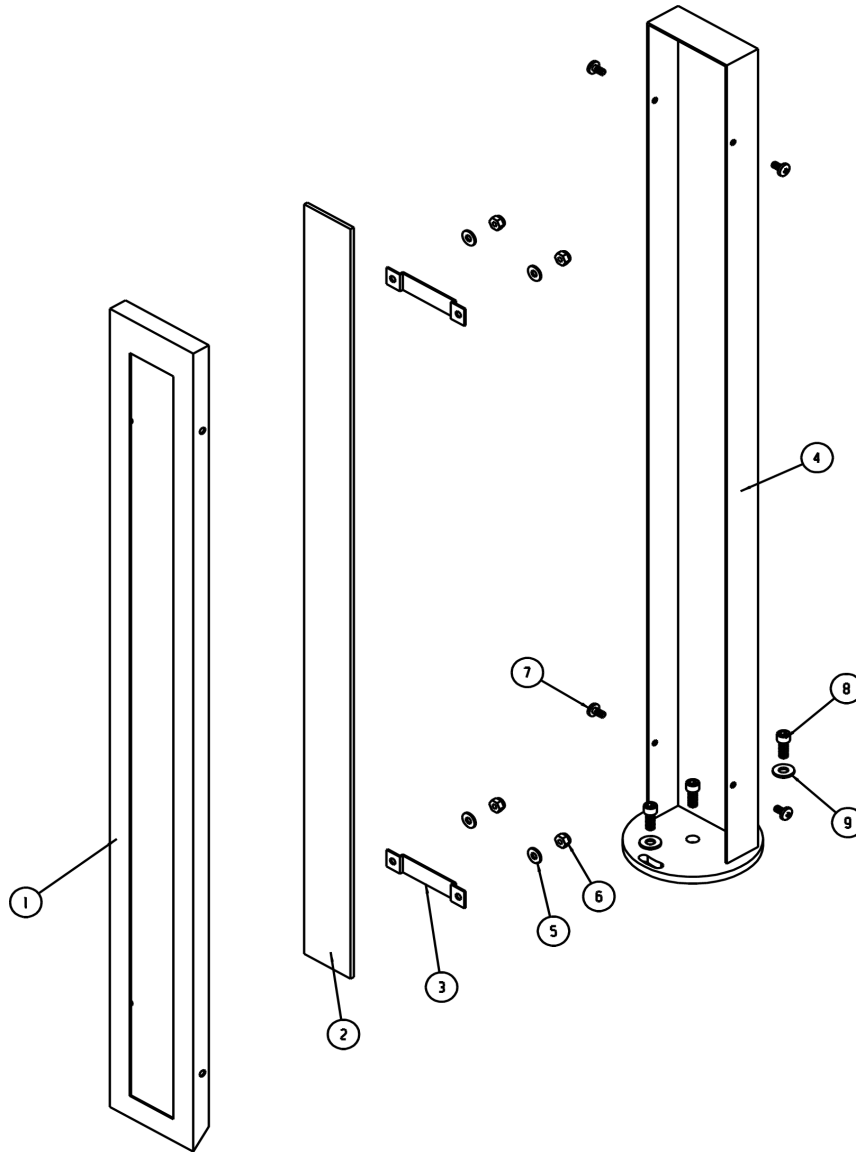
PALLET CHANGER



PALLET CHANGER

	PART #		PART #
1	STM-0662	5	ELE-0939
2	STM-0661	6	HDW-0589
3	PLC-0068	7	HDW-0443
4A,B,C ,D,E	ELE-0939		

PALLET CHANGER

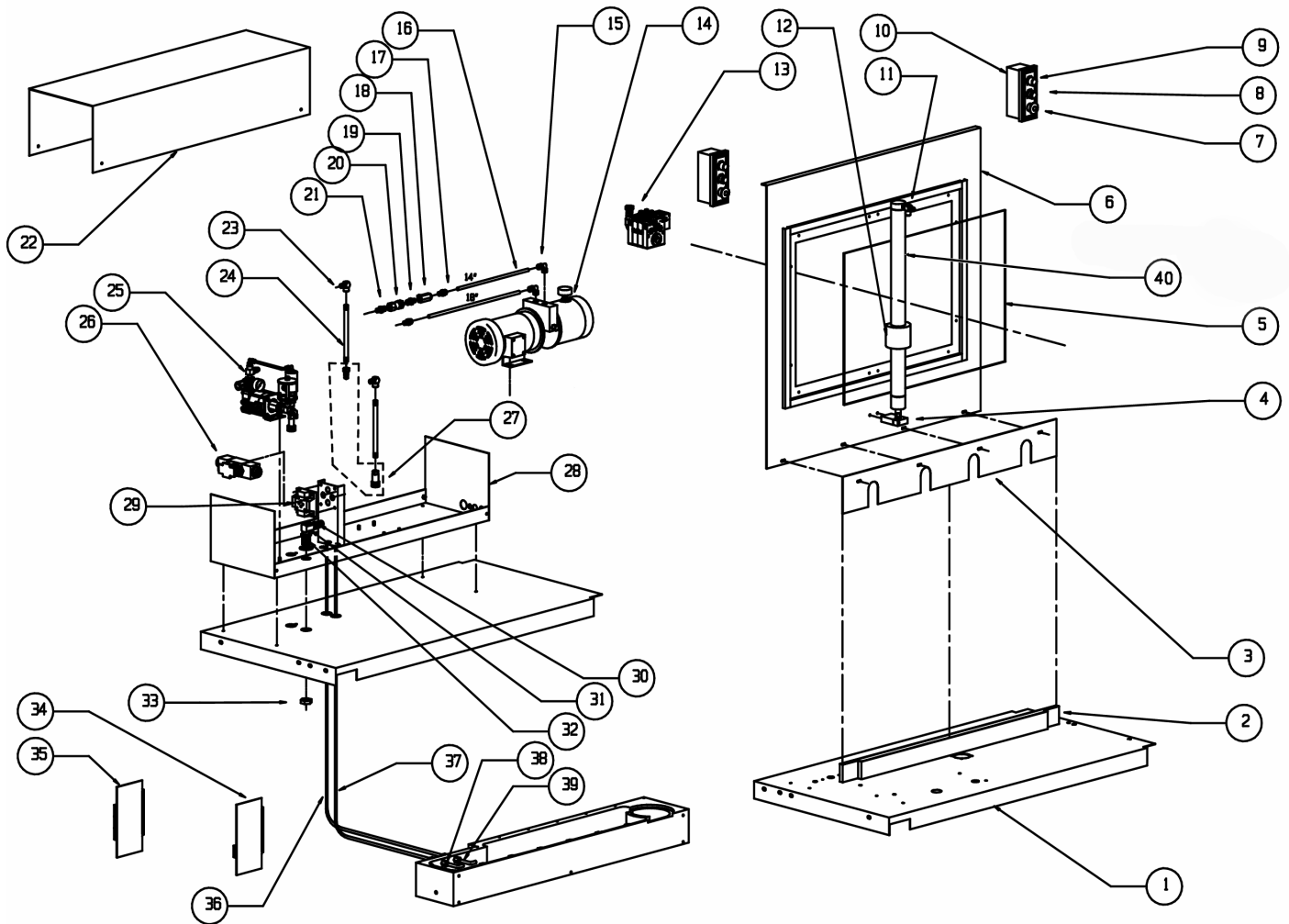


PALLET CHANGER

	PART #		PART #
1	STM-0660	6	HDW-0647
2	CNT-0151	7	HDW-0437
3	STM-0658	8	HDW-0299
4	STM-0659	9	HDW-0443
5	HDW-0442		

* MIRROR LIGHT CURTAIN ASY: PLC-0068

PALLET CHANGER

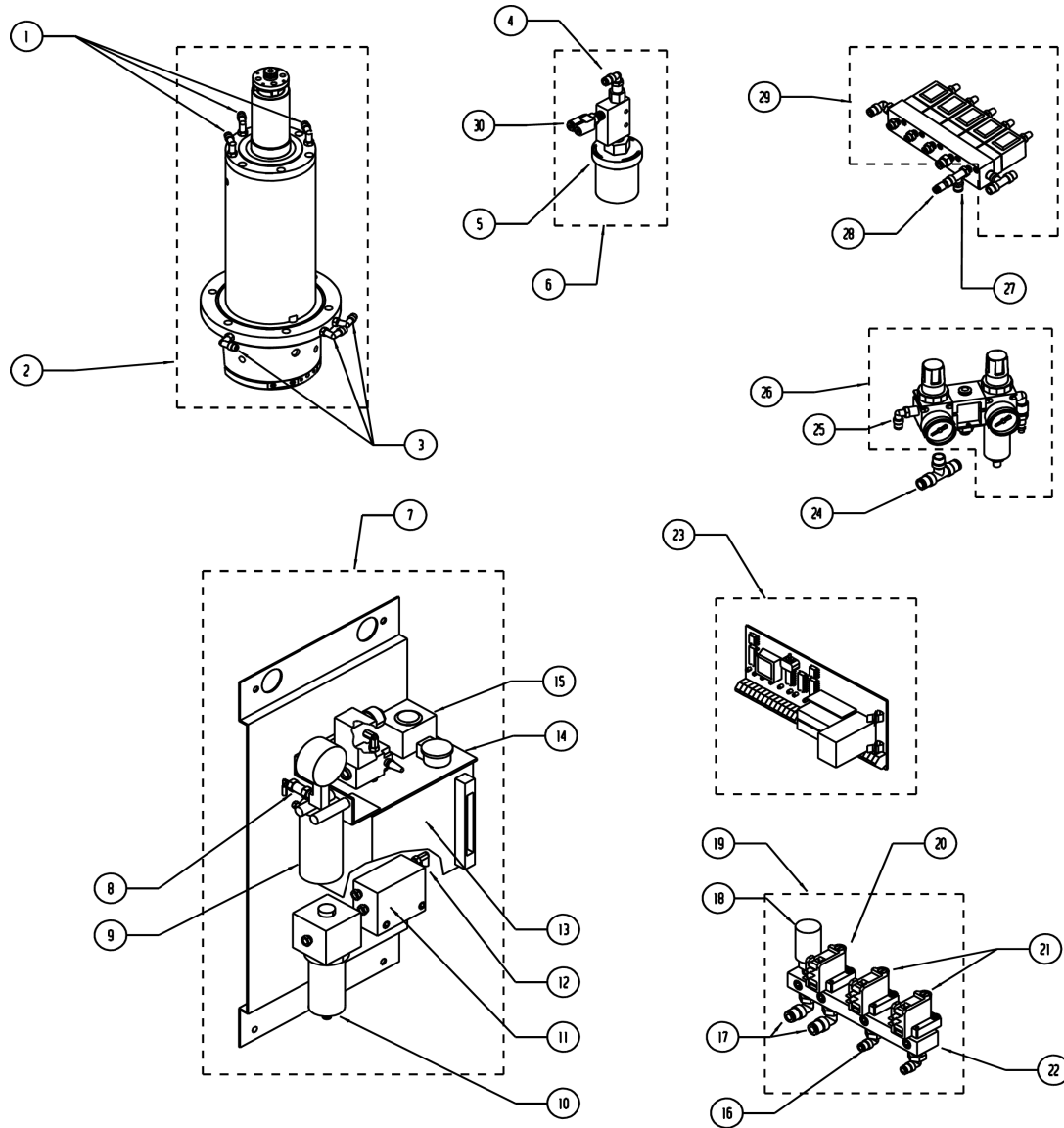


PALLET CHANGER

	PART #		PART #		PART #		PART #
1	STM-0191	11	CYL-0018	21	HYD-0005	31	PLM-0056
2	STM-0189	12	PLC-0014	22	STM-0791	32	PLM-0081
3	PLC-0060	13	VLV-0038	23	HYD-0005	33	PLM-0081
4	PLC-0072	14	PMP-0009	24	PLM-0001	34	PCB-0005
5	DOR-0018	15	PLM-0042	25	PMP-0012	35	PCB-0019
6	STM-0286	16	PLM-0151	26	HYD-0002	36	HYD-0006
7	ELE-0112	17	PLM-0088	27	HYD-0012	37	HYD-0007
8	ELE-0111	18	PLM-0003	28	STM-0791	38	HYD-0004
9	ELE-0110	19	PLM-0057	29	VLV-0030	39	HYD-0003
10	STM-0405	20	PLM-0054	30	PLM-0076	40	CYL-0009

* REED SWITCH SENSOR CYL-0011

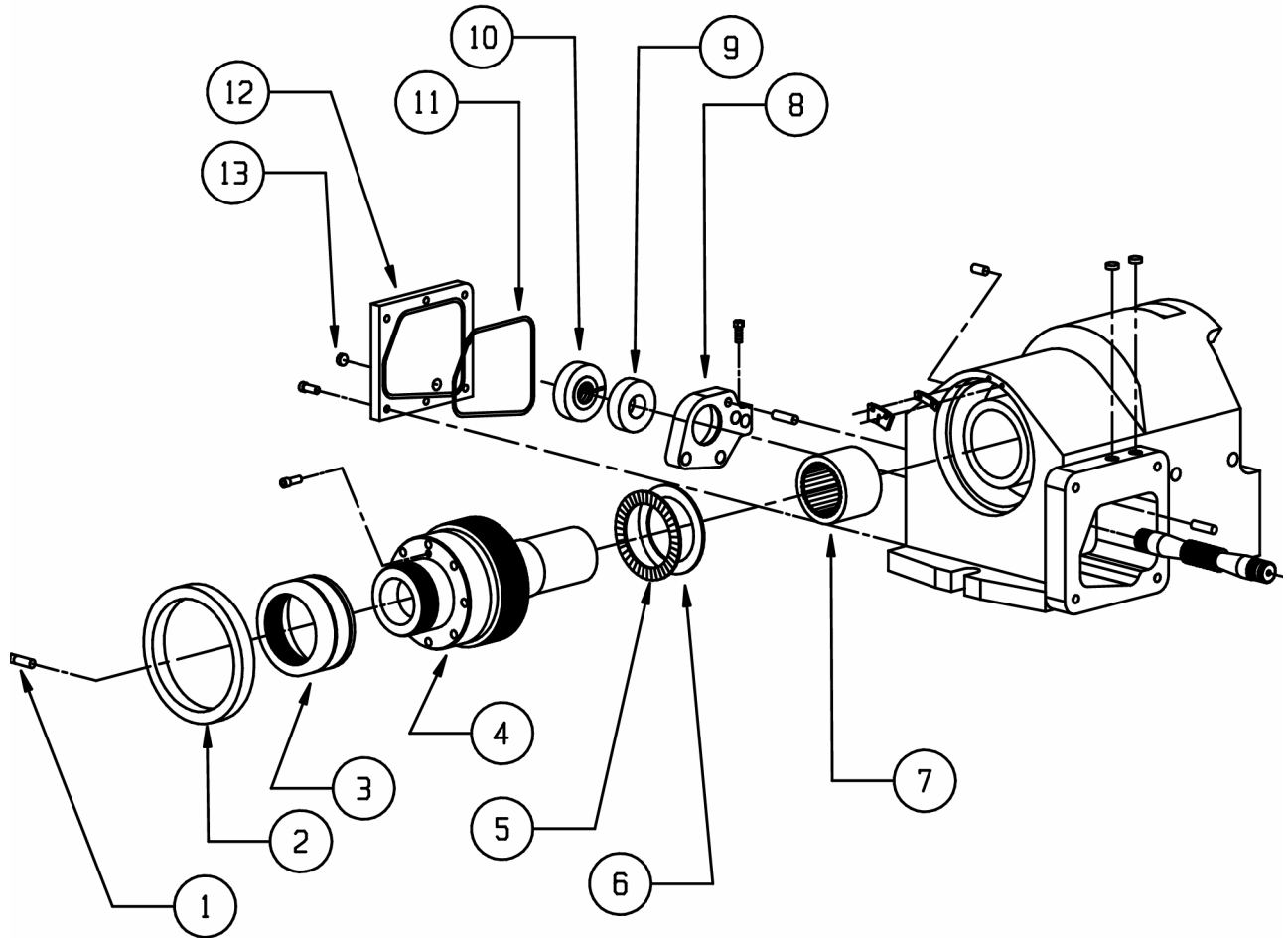
15K AIR/OIL SPINDLE



15K AIR/OIL SPIDLE

	PART #		PART #		PART #		PART #
1	PLM-0034		LUB-0049		PLM-0028		PLM-0036
2	SPN-0053		REG-0030		ELE-0901		REG-0033
3	PLM-0034		LUB-0091		LUB-0099		PLM-0024
4	PLM-0034		PLM-0028		ELE-0874		PLM-0038
	PMP-0024		LUB-0051		ELE-0873		VLV-0054
	LUB-0100		LUB-0036		LUB-0094		PLM-0048
	LUB-0098		LUB-0090		PCB-0157		
5	LUB-0097		PLM-0034		PLM-0165		

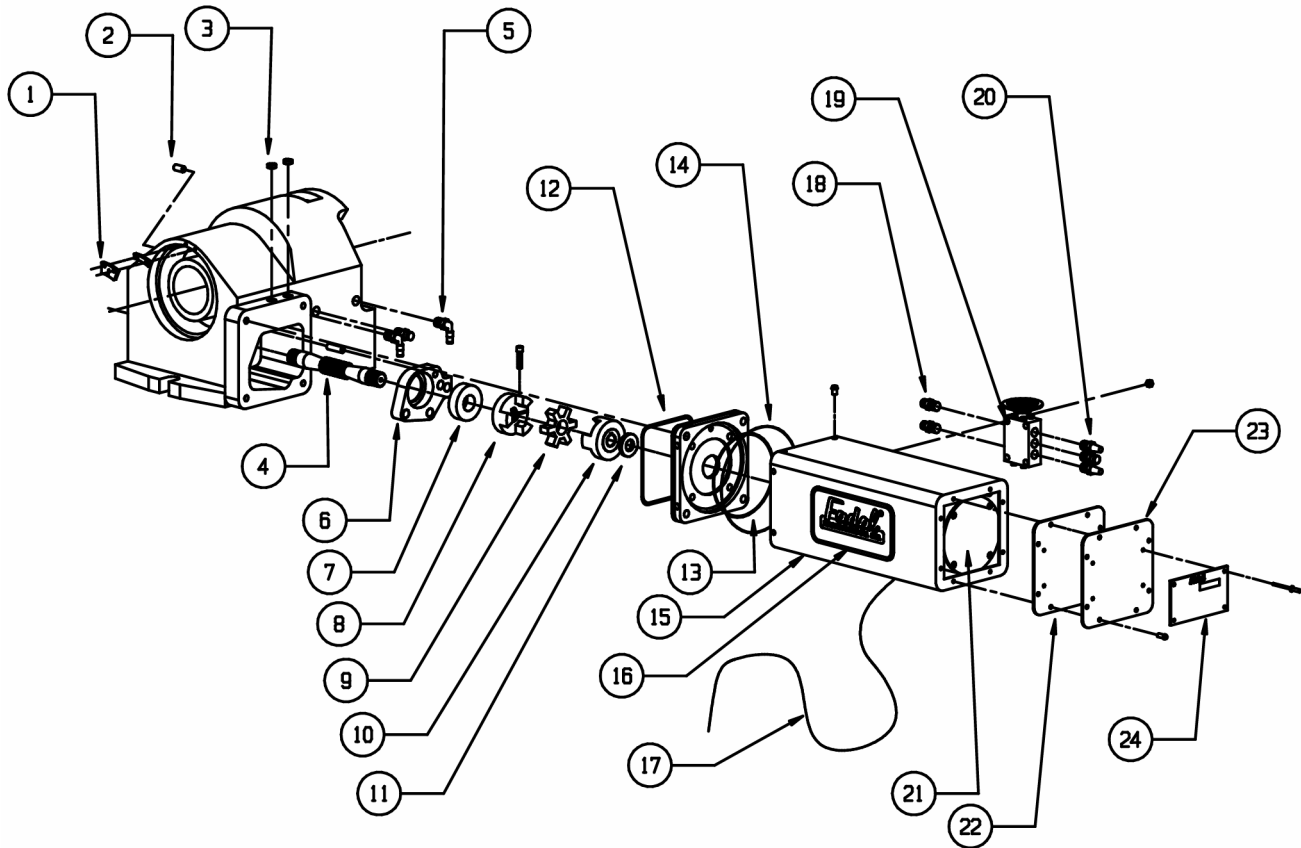
VH5C ROTARY TABLE



VH5C ROTARY TABLE

	PART #		PART #		PART #
1	ROT-0089	6	BRG-0050	11	HDW-0162
2	HDW-0246	7	BRG-0051	12	ROT-0299
3	ROT-0090	8	ROT-0296	13	HDW-0422
4	ROT-0012	9	BRG-0111		
5	BRG-0049	10	ROT-0191		

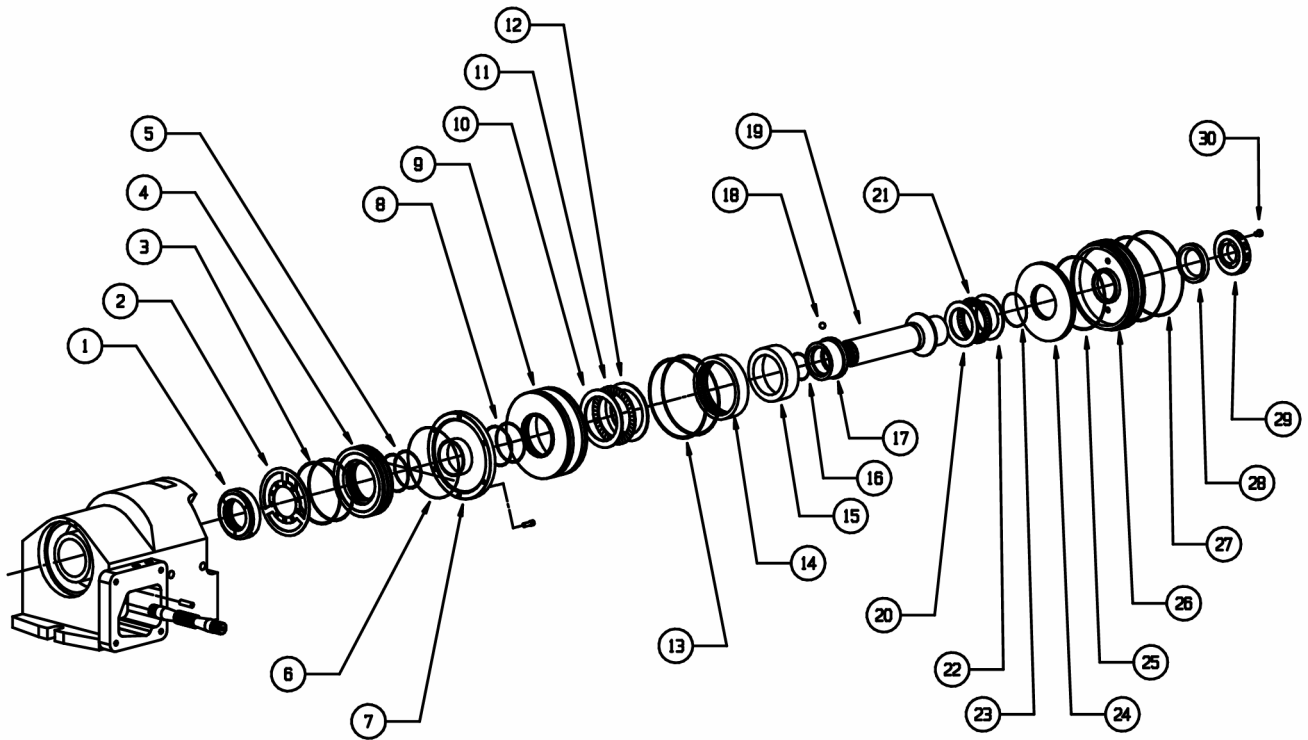
VH5C ROTARY TABLE



VH5C ROTARY TABLE

	PART #		PART #		PART #		PART #
1	ROT-0297	7	BRG-0111	13	HDW-0704	20	VLV-0026
2	HDW-0409	8	ROT-0273	14	HDW-0153	21	PLM-0040
3	HDW-0422	9	HDW-0752	15	STM-0199	22	MTR-0003 OR MTR-0012
4	ROT-0152	10	ROT-0075	16	LBL-0179	23	HDW-0378
5	PLM-0034	11	HDW-0248	17	WIR-0177	24	STM-0433
6	ROT-0295	12	HDW-0162	18	HDW-0188	25	LBL-0178

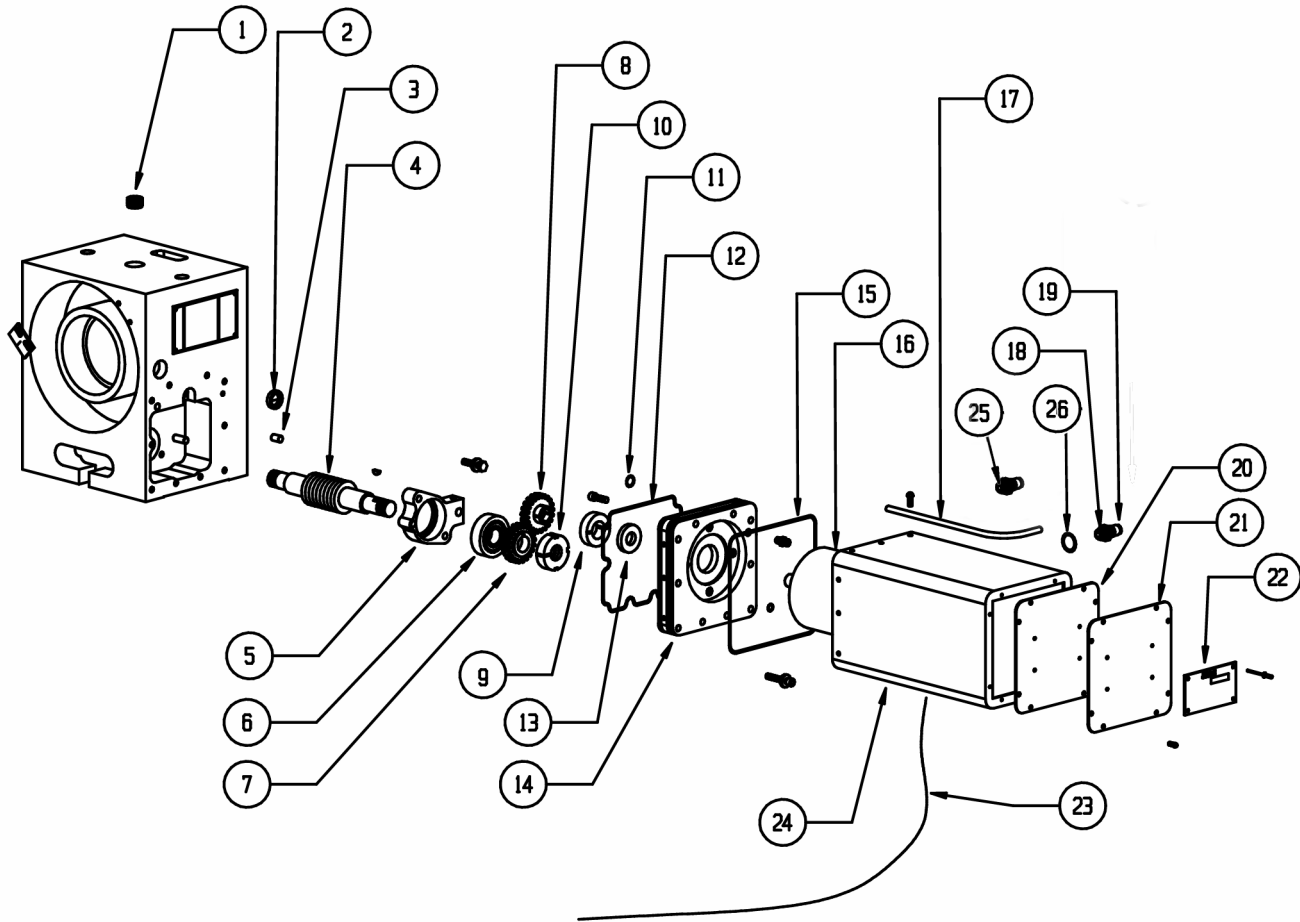
VH5C ROTARY TABLE



VH5C ROTARY TABLE

	PART #		PART #		PART #		PART #
1	ROT-0069	9	ROT-0070	17	ROT-0071	25	HDW-0168
2	STM-0197	10	BRG-0053	18	BRG-0003	26	ROT-0074
3	HDW-0174	11	BRG-0052	19	ROT-0072	27	HDW-0171
4	ROT-0067	12	BRG-0053	20	BRG-0055	28	HDW-0247 OR HDW-0992
5	HDW-0165	13	HDW-0175	21	BRG-0056	29	ROT-0073
6	HDW-0152	14	BRG-0054	22	BRG-0057	30	HDW-0306
7	ROT-0068	15	BRG-0048	23	HDW-0151		
8	HDW-0166	16	HDW-0160	24	ROT-0077		

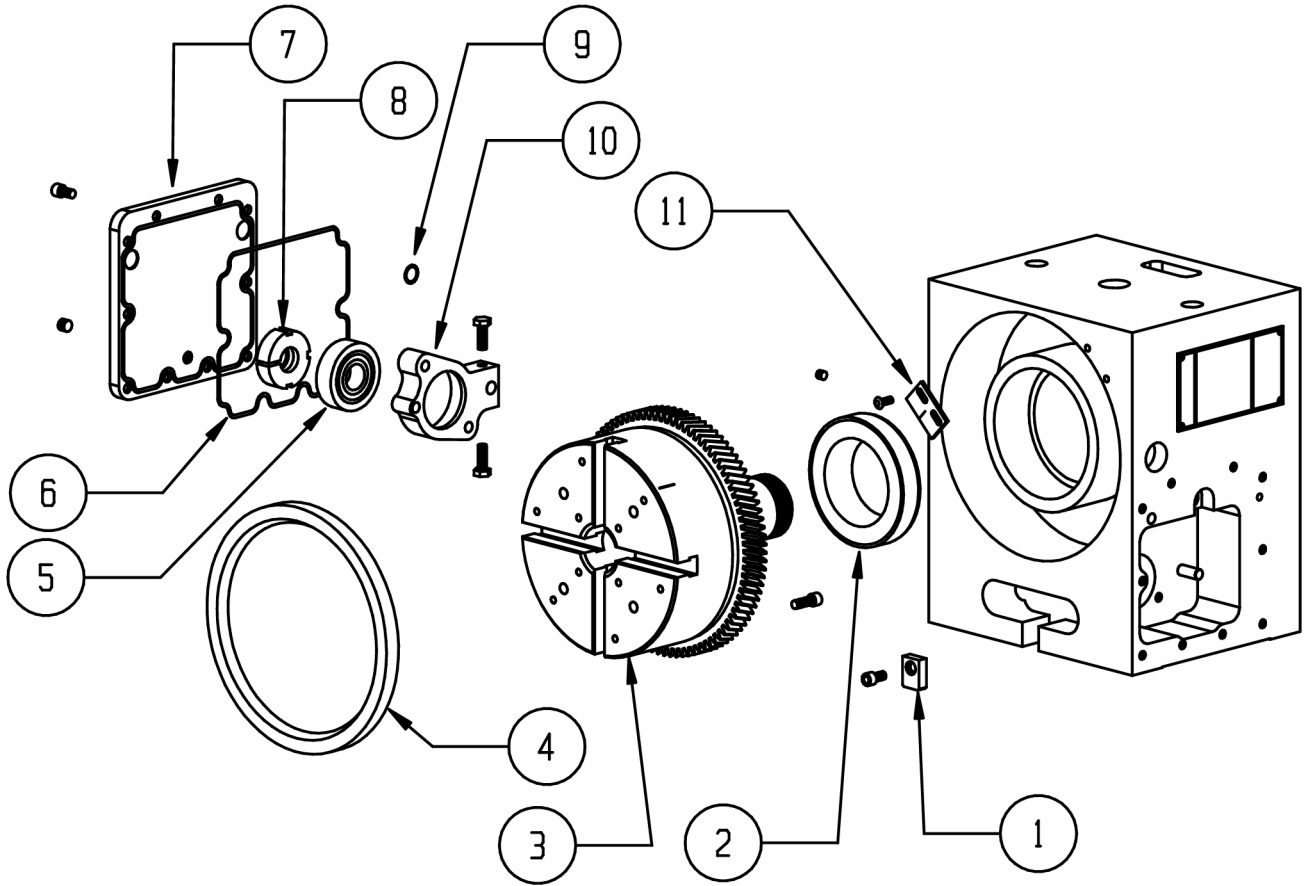
VH65 ROTARY TABLE



VH65 ROTARY TABLE

	PART #		PART #		PART #		PART #
1	HDW-0268	8	ROT-0050	15	HDW-0162	22	LBL-0176
2	HDW-0222	9	HDW-0230	16	MTR-0003	23	WIR-0080(9FT), 0081(6FT), 0217(7.5)
3	HDW-0620	10	HDW-0226	17	PLM-0023	24	PLM-0046
4	ROT-0037	11	HDW-0179	18	ELE-0037	25	HDW-0177
5	ROT-0043	12	HDW-0162	19	ELE-0065		
6	BRG-0024	13	HDW-0212	20	HDW-0365		
7	ROT-0280	14	ROT-0040	21	STM-0274		

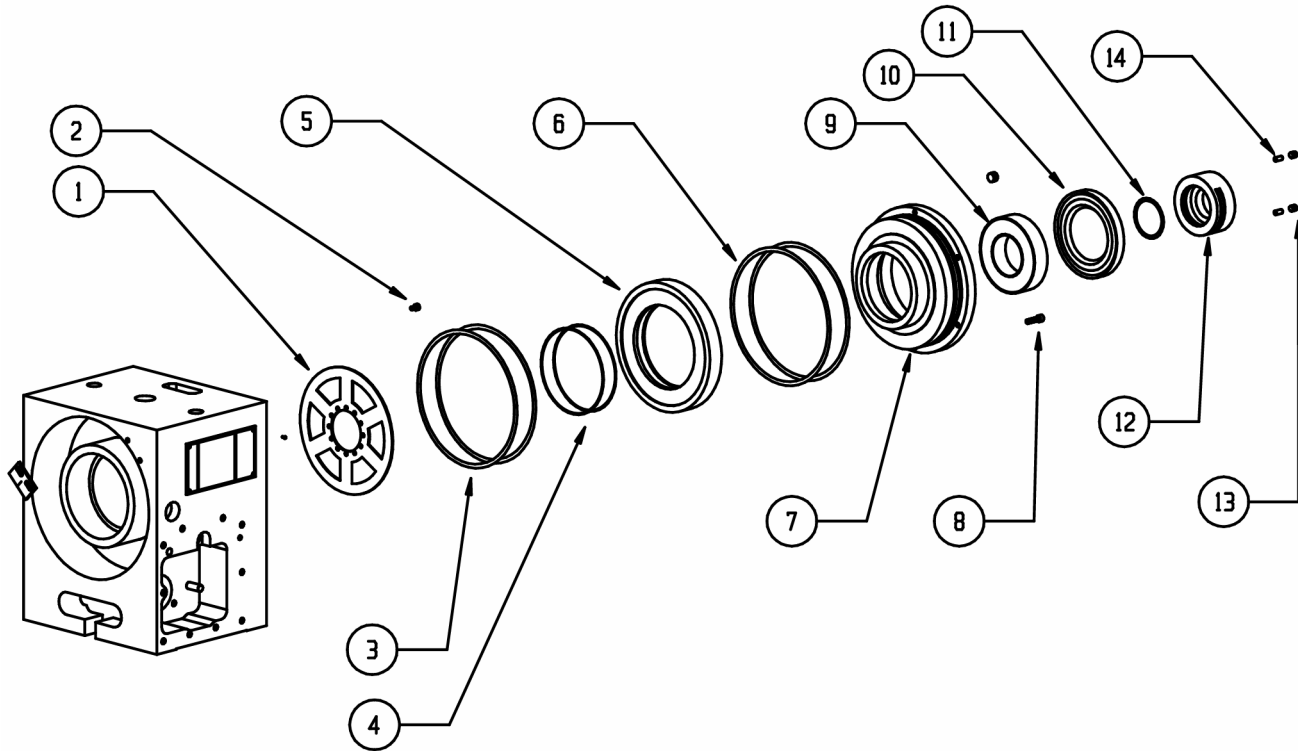
VH65 ROTARY TABLE



VH65 ROTARY TABLE

	PART #		PART #		PART #		PART #
1	ROT-0046	4	HDW-0224	7	ROT-0039	10	ROT-0044
	ROT-0047	5	BRG-0024	8	HDW-0230	11	STM-0044
2	BRG-0037	6	HDW-0162	9	HDW-0179		
	BRG-0038						
3	ROT-0000						

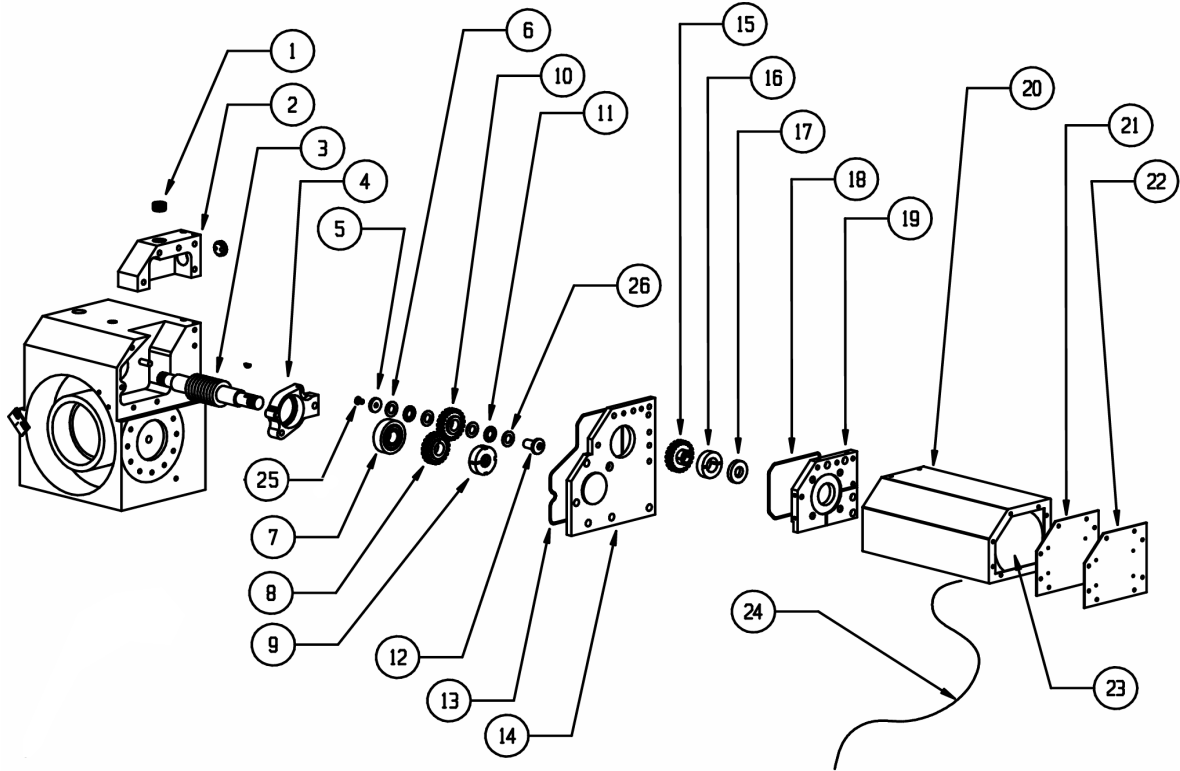
VH65 ROTARY TABLE



VH65 ROTARY TABLE

	PART #		PART #		PART #		PART #
1	ROT-0036	5	ROT-0034	9	BRG-0035	12	ROT-0035
2	HDW-0502	6	HDW-0172		BRG-0036	13	HDW-0426
3	HDW-0176	7	ROT-0033	10	HDW-0223	14	HDW-0615
4	HDW-0167	8	HDW-0303	11	HDW-0164		

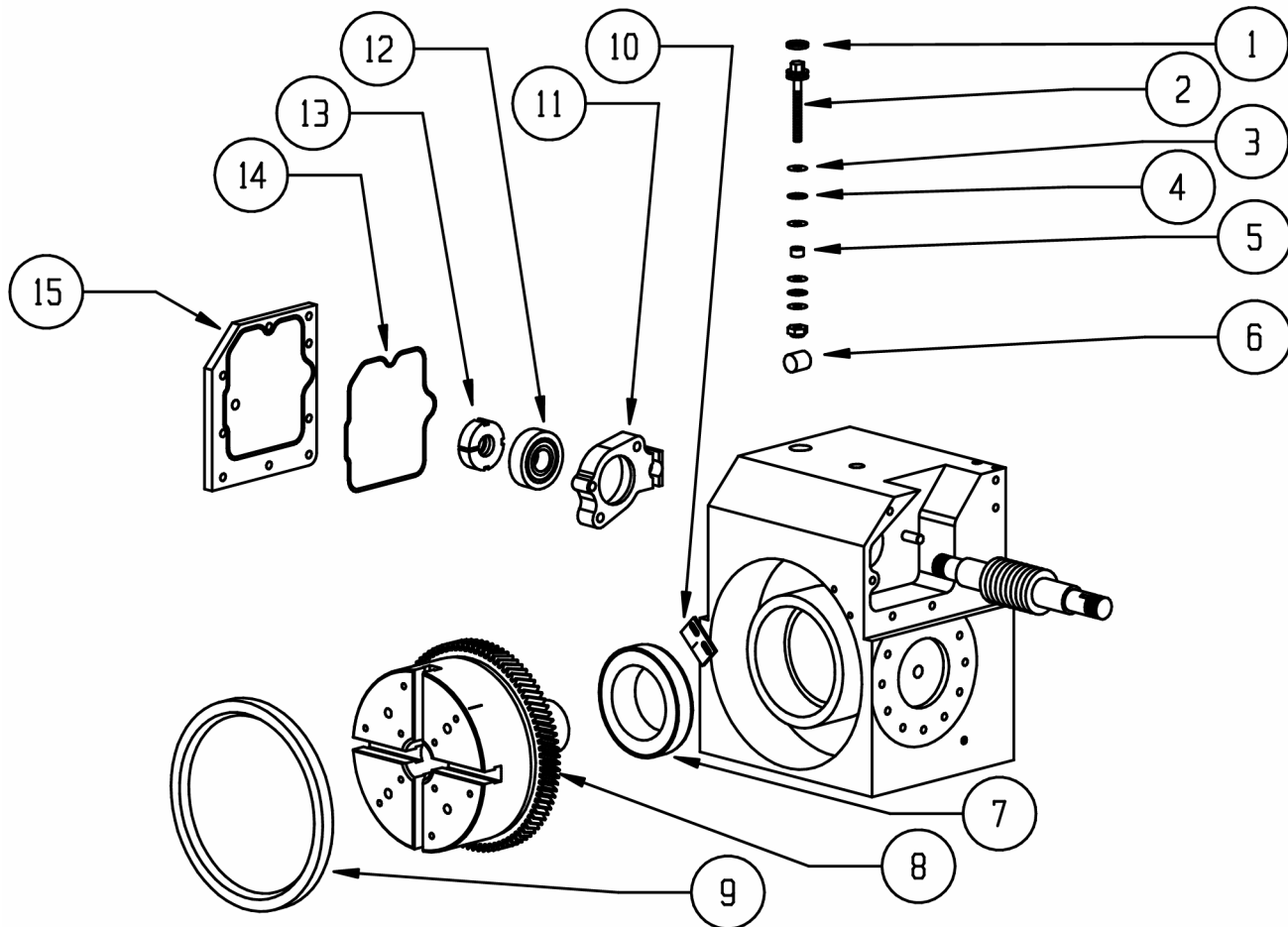
TR65 ROTARY TABLE



TR65 ROTARY TABLE

	PART #		PART #		PART #		PART #
1	HDW-0268	8	ROT-0280	15	ROT-0050	22	STM-0507
2	ROT-0287	9	HDW-0226	16	HDW-0230	23	MTR-0003
3	ROT-0037	10	ROT-0281	17	HDW-0727	24	WIR-0080(9FT), 0081(6FT), 0217(7.5FT)
4	ROT-0044	11	BRG-0015	18	HDW-0161	25	HDW-0347
5	ROT-0302	12	ROT-0301	19	ROT-0282	26	BRG-0016
6	BRG-0017	13	HDW-0163	20	STM-0506		
7	BRG-0024	14	ROT-0230	21	HDW-0366		

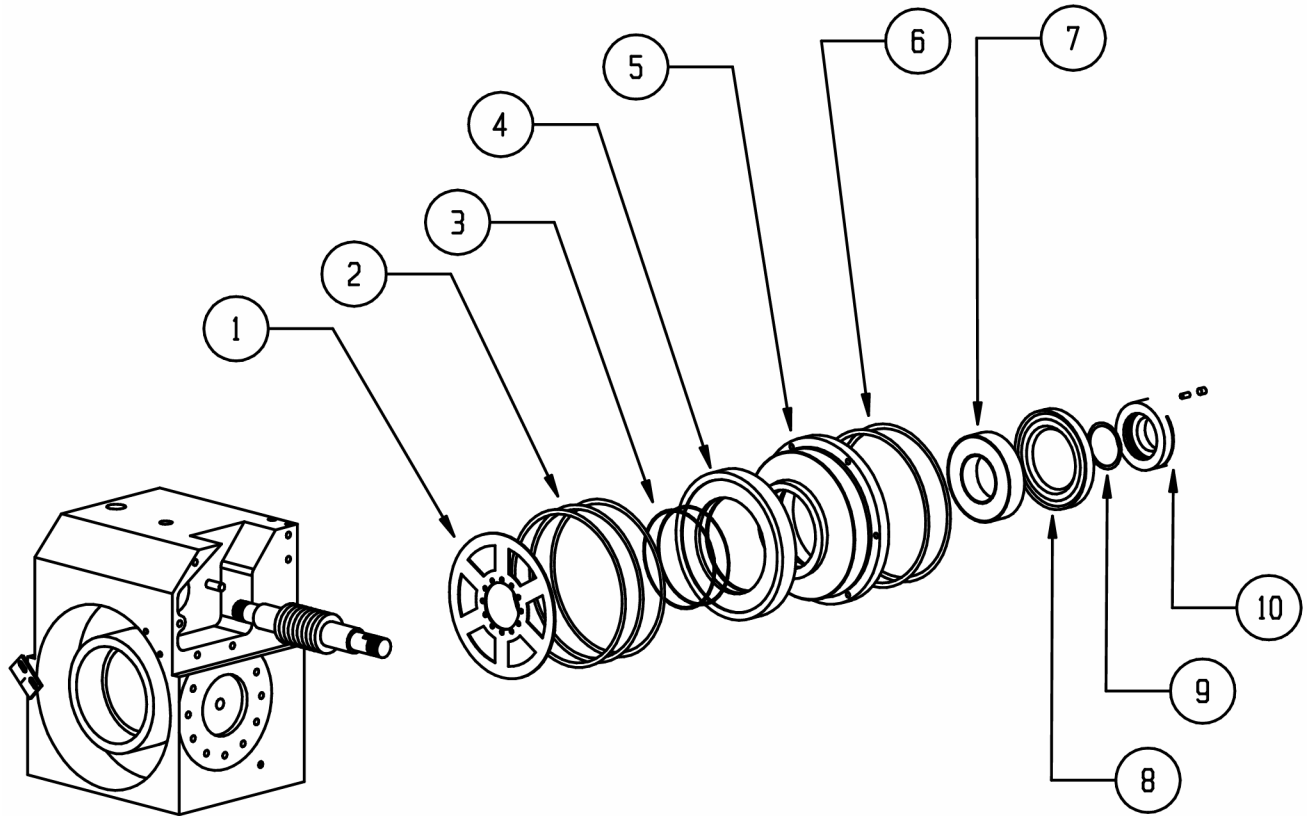
TR65 ROTARY TABLE



TR65 ROTARY TABLE

	PART #		PART #		PART #		PART #
1	HDW-0154	5	BRG-0045	8	ROT-0000	12	BRG-0024
2	ROT-0084	6	ROT-0085	9	BRG-0224	13	HDW-0226
3	BRG-0061	7	BRG-0038	10	STM-0044	14	HDW-0161
4	BRG-0062		BRG-0037	11	ROT-0045	15	ROT-0283

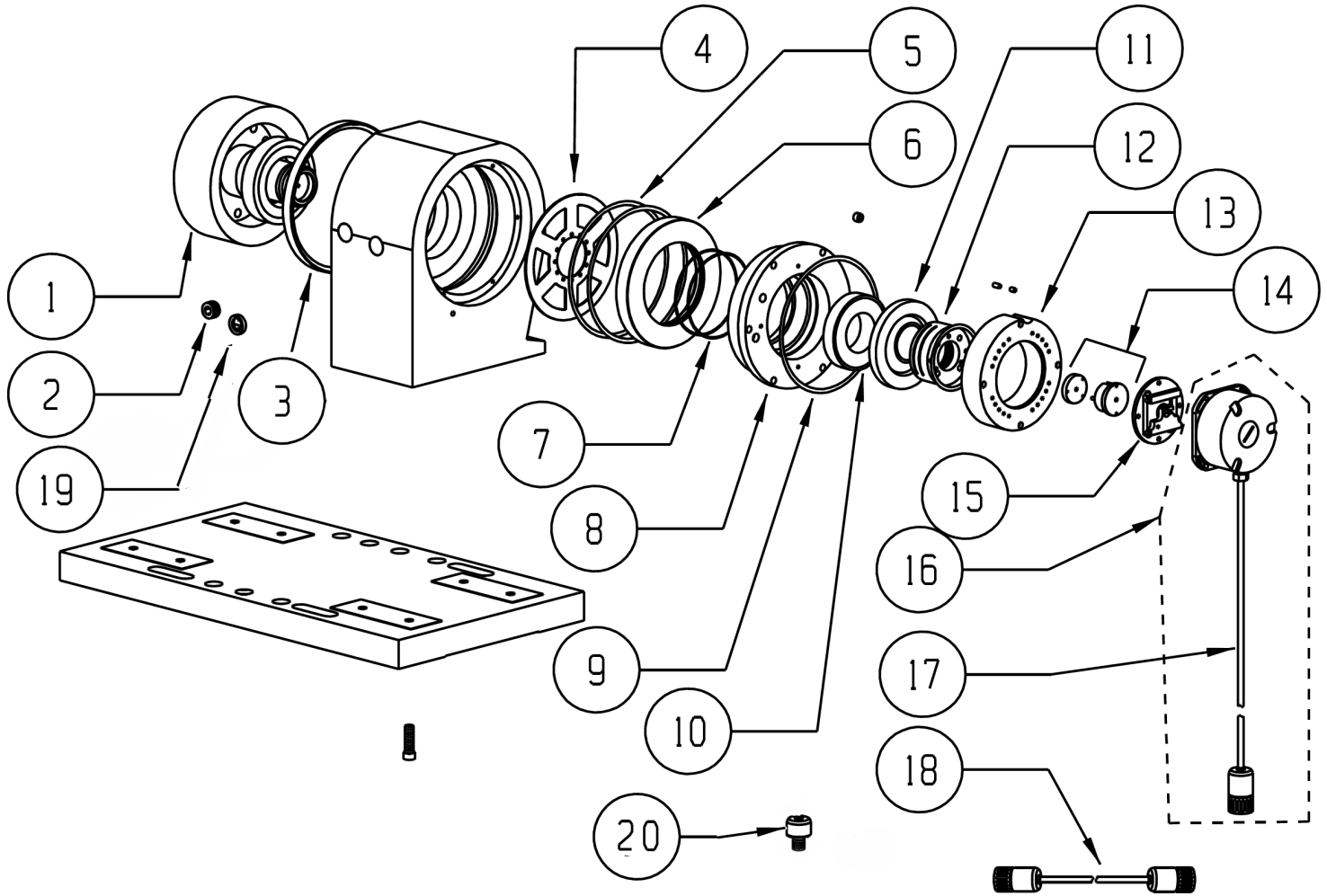
TR65 ROTARY TABLE



TR65 ROTARY TABLE

	PART #		PART #		PART #		PART #
1	ROT-0036	4	ROT-0034	7	BRG-0042	10	HDW-0173
2	HDW-0176	5	ROT-0033	8	BRG-0041	11	ROT-0035
3	HDW-0167	6	HDW-0172	9	HDW-0225		

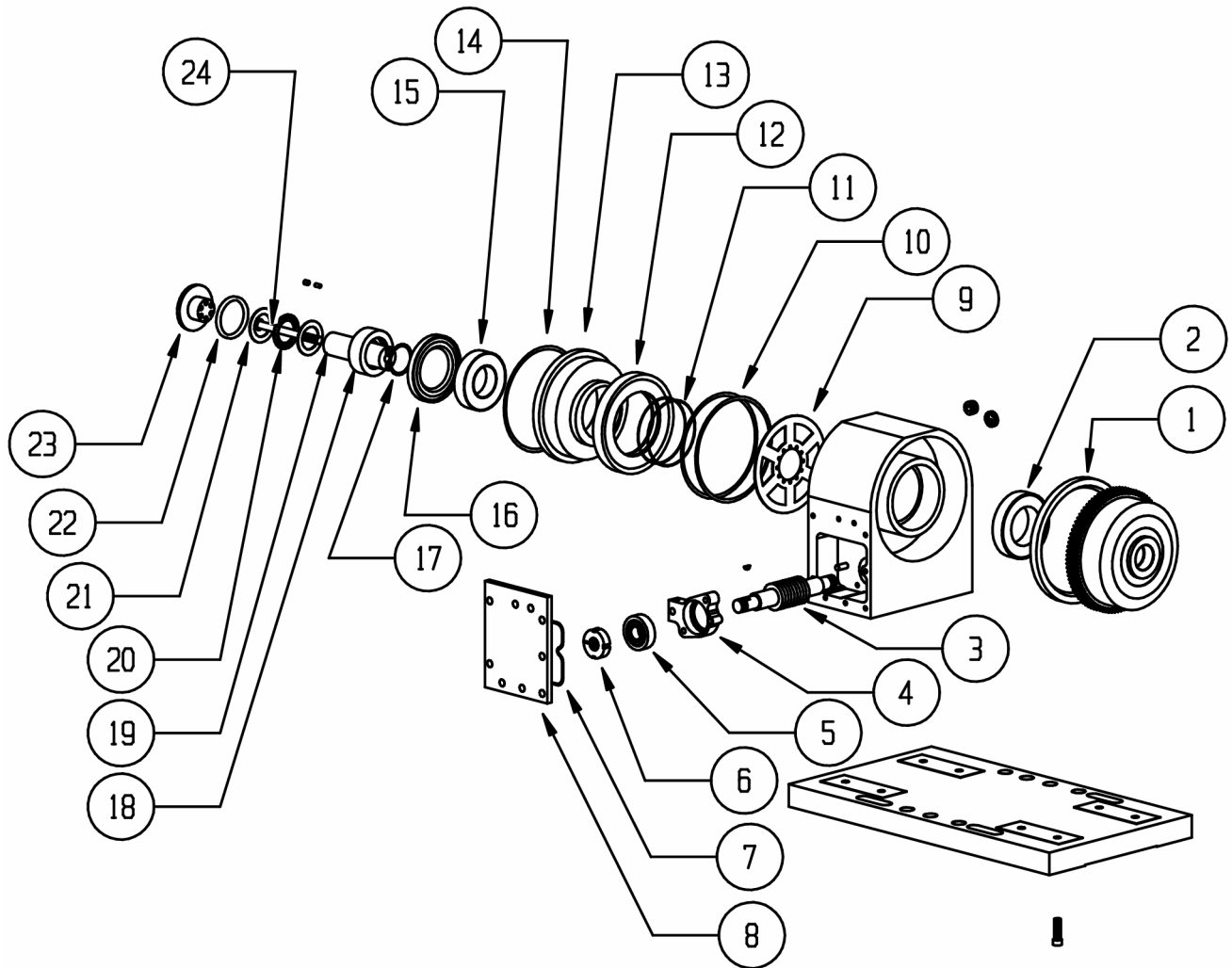
TR65 ROTARY TABLE



TR65 ROTARY TABLE

	PART #						
1	ROT-0291	6	ROT-0034	11	HDW-0225	16	SCL-0023
2	HDW-0265	7	HDW-0167	12	ROT-0035	17	SCL-0087
3	HDW-0224	8	ROT-0033	13	ROT-0285	18	SCL-0016
4	ROT-0036	9	HDW-0172	14	ROT-0286	19	HDW-0222
5	HDW-0176	10	BRG-0036 OR 0037	15	SCL-0022	20	SCL-0018

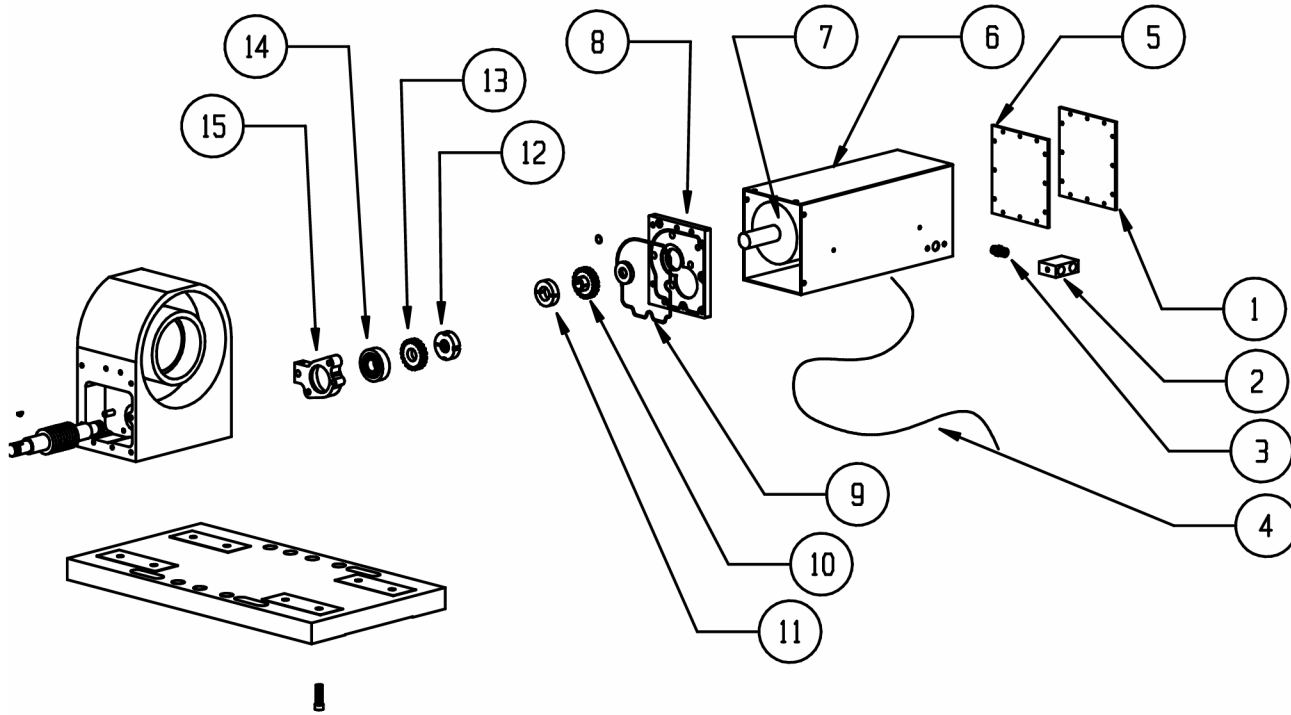
TR65 ROTARY TABLE



TR65 ROTARY TABLE

	PART #		PART #		PART #		PART #
1	HDW-0224	7	HDW-0161	13	ROT-0033	19	ROT-0058
2	BRG-0038 OR BRG-0037	8	ROT-0288	14	HDW-0172	20	BRG-0040
3	ROT-0037	9	ROT-0036	15	BRG-0036 OR BRG-0035	21	BRG-0039
4	ROT-0043	10	HDW-0176	16	HDW-0225	22	HDW-0173
5	BRG-0024	11	HDW-0167	17	HDW-0164	23	ROT-0083
6	HDW-0226	12	ROT-0034	18	ROT-0035	24	HDW-0491

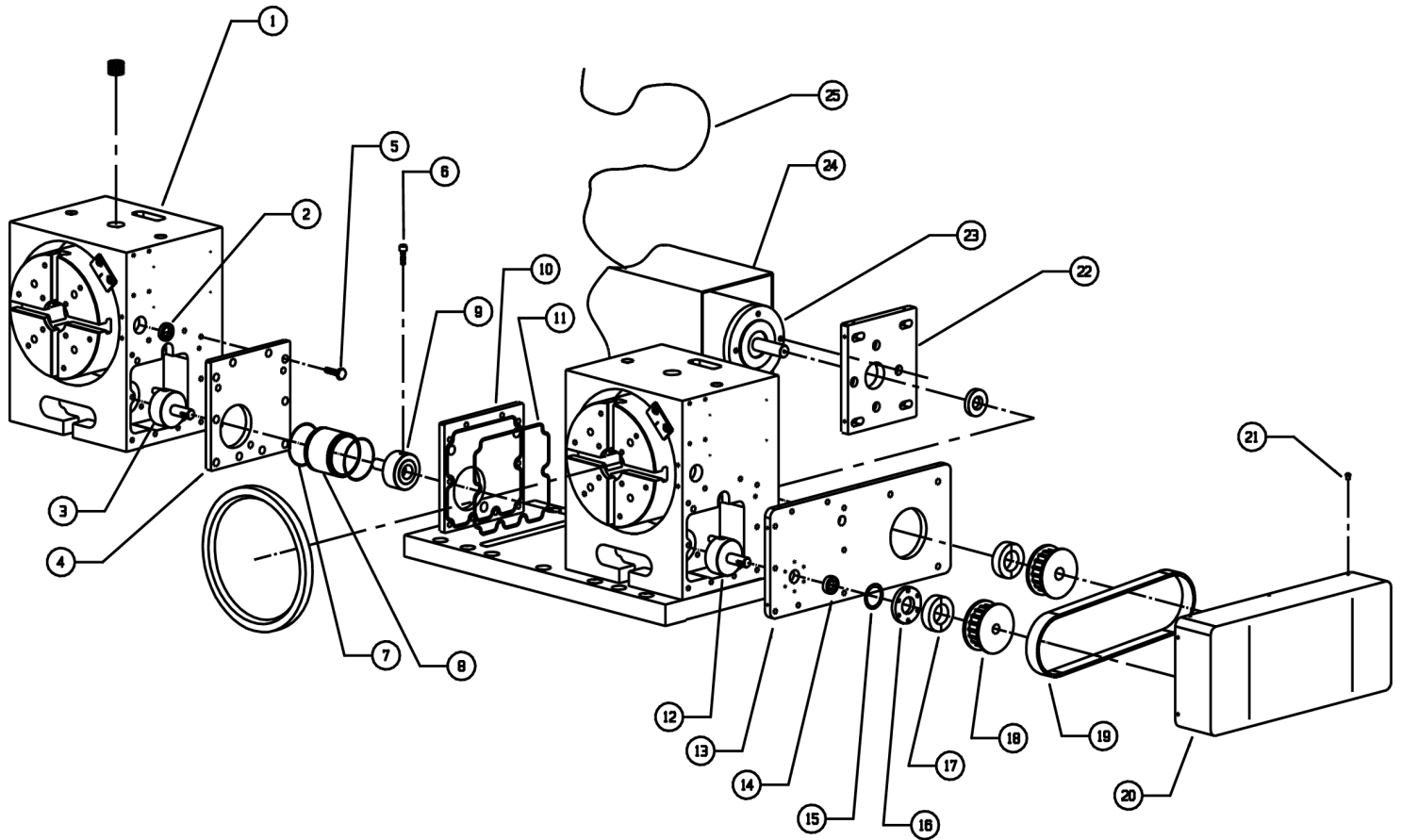
TR65 ROTARY TABLE



TR65 ROTARY TABLE

	PART #		PART #		PART #		PART #
1	STM-0508	5	HDW-0367	9	HDW-0181	13	ROT-0280
2	ROT-0325	6	STM-0509	10	ROT-0050	14	BRG-0024
3	PLM-0044	7	MTR-0125	11	HDW-0230	15	ROT-0033
4	WIR-0080(9FT), 0081(6FT), 0217(7.5FT)	8	ROT-0284	12	HDW-0226		

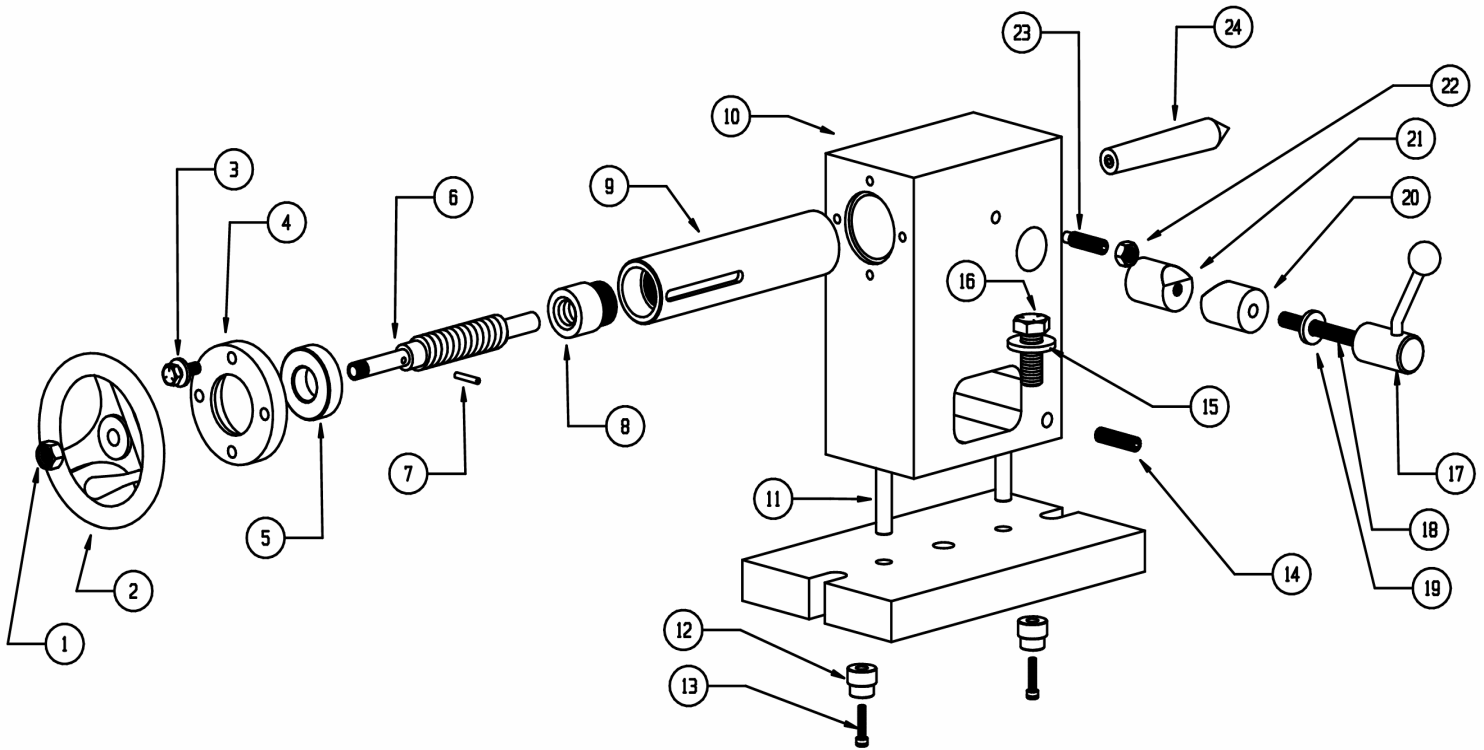
DUAL VH65 ASSY



DUAL VH65 ASSEMBLY

	PART #		PART #		PART #		PART #
1	ROT-0188	8	ROT-0314	15	ROT-0150	22	ROT-0329 (RH)
2	HDW-0222	9	ROT-0082	16	ROT-0311		ROT-0394 (LH)
3	ROT-0082	10	ROT-0312	17	PUL-0041	23	MTR-0125
4	ROT-0313	11	HDW-0162	18	PUL-0032	24	STM-0508
5	HDW-0295	12	ROT-0092	19	BEL-0025	25	WIR-0080(9FT), 0081(6FT), 0217(7.5FT)
6	HDW-0497	13	ROT-0315	20	STM-0519		
7		14	HDW-0231	21	HDW-0593		

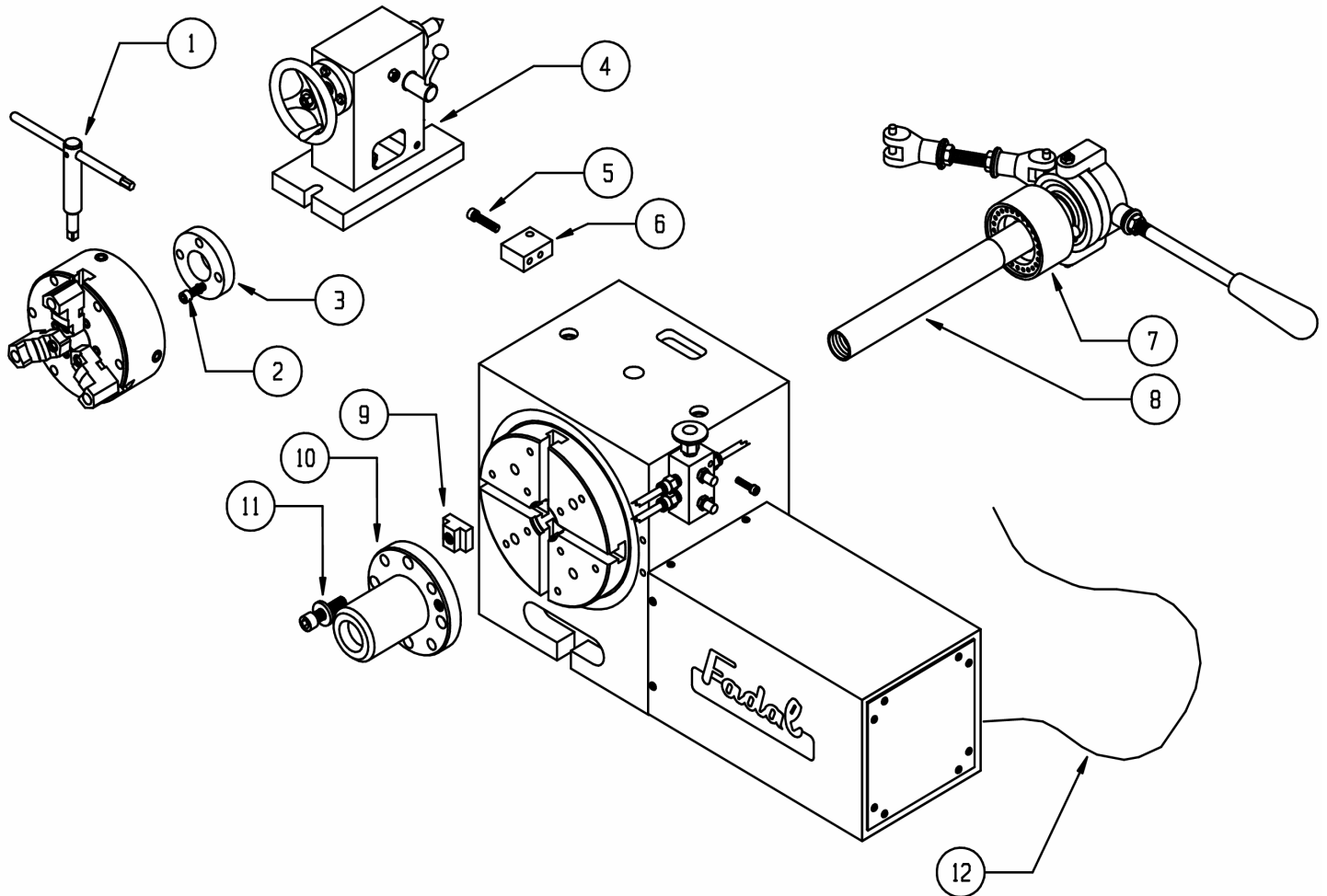
DUAL VH65 ASSY



DUAL VH65 ASSY

PART #	PART #	PART #	PART #
HDW-0645	7518-34RP	7132-1834	HDW-0381
ROT-0056	HDW-0228	HDW-0415	ROT-0334
HDW-0322	ROT-0054	HDW-0050	ROT-0334
ROT-0336	ROT-0330	HDW-0557	HDW-0646
BRG-0020	HDW-0616	ROT-0057	ROT-0335
ROT-0055	ROT-0053	6918-56325	HDW-0229

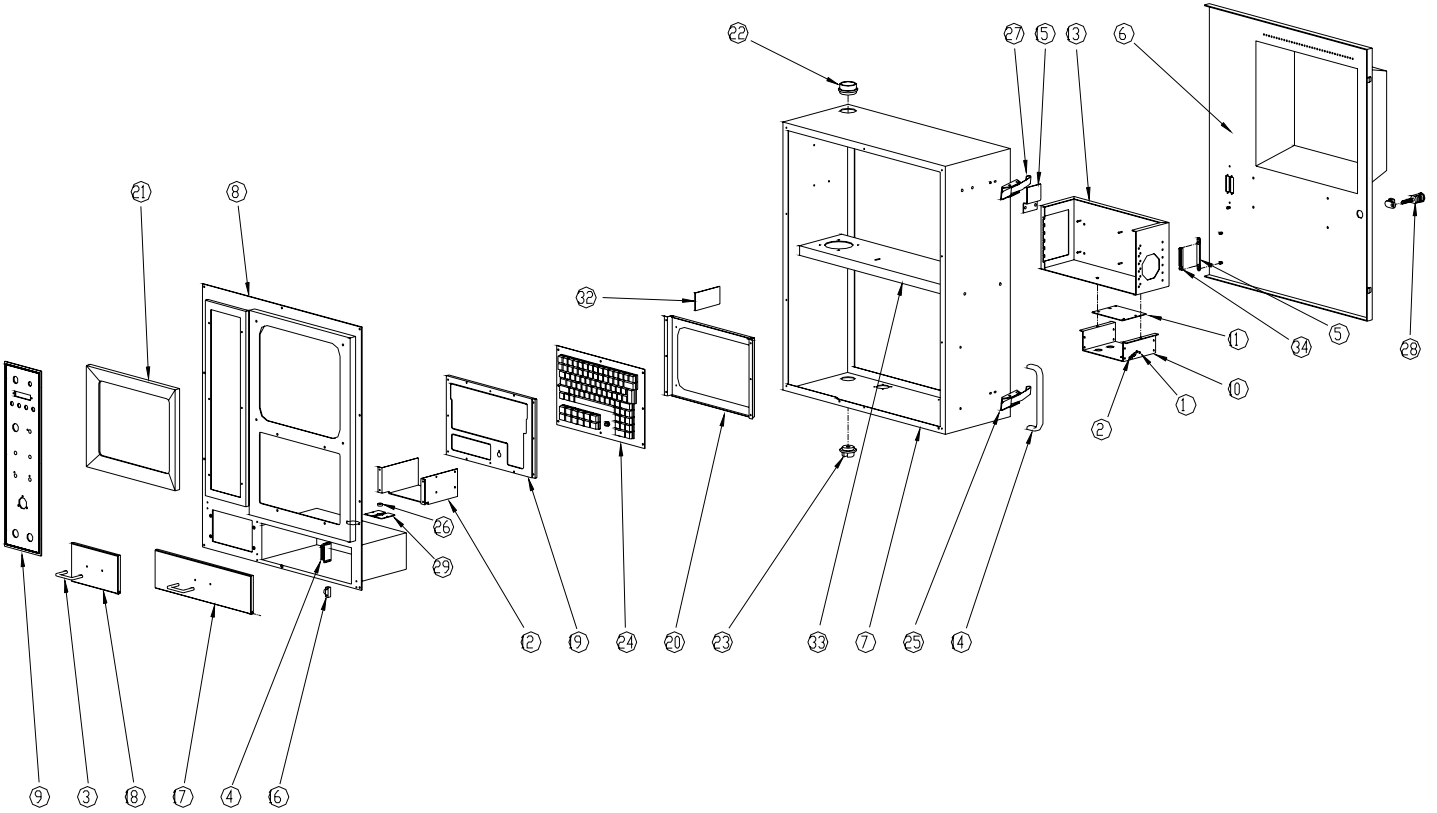
ROTARY ACCESSORIES



ROTARY ACCESSORIES

	PART #		PART #		PART #
1	ROT-0153	5	HDW-0578	9	HDW-0227
2	HDW-0496	6	STM-0315	10	ROT-0014
3	ROT-0051	7	ROT-0017	11	HDW-0472
4	ROT-0026(VH65), 0028(VH5C)	8	ROT-0016	12	WIR-0080(9FT), 0081(6FT), 0217(7.5)

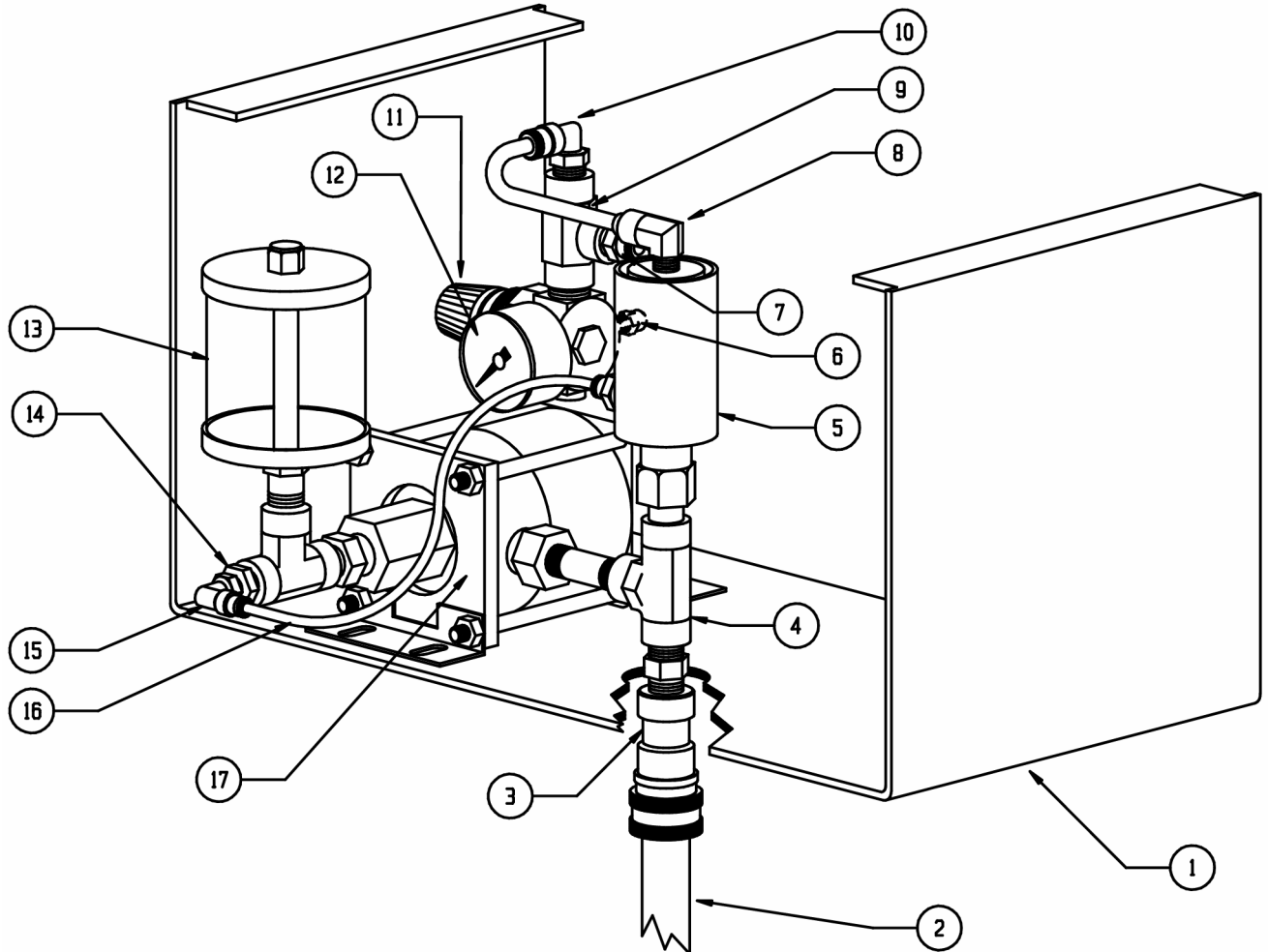
32MP PENDANT ASSY



32MP PENDANT ASS

	PART #		PART #
1	STM-0125	9	CNT-0047
2	WIR-0433	10	PMP-0029
3	WIR-0434	11	PLM-0042
4	PLM-0042	12	PMP-0000
5	PLM-0024	13	PMP-0032
6	CNT-0035 (15A)	14	PMP-0199
7	CNT-0144 (20A)	15	PLM-0166
8	PLM-0210		

HYDRAULIC BRAKE

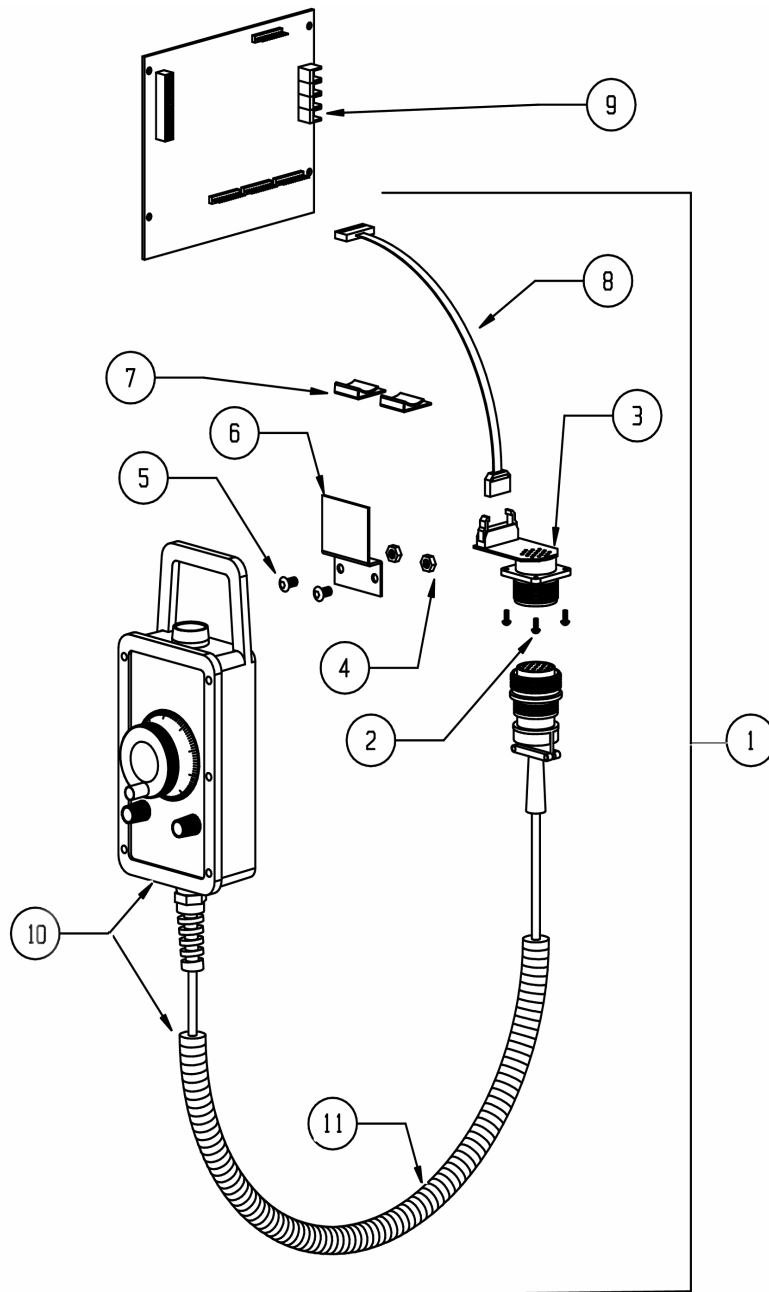


HYDRAULIC BRAKE

	PART #		PART #		PART #		PART #
1	STM-0129	6	PLM-0115	11	REG-0004	16	PLM-0022
2	HYD-0010	7	PLM-0044	12	REG-0017	17	HYD-0008
3	HYD-0012	8	PLM-0033	13	HYD-0013		
4	PLM-0056	9	PLM-0023	14	HDW-0392		
5	HYD-0009	10	PLM-0036	15	PLM-0034		

* HYDRAULIC OIL FOR BRAKE SYSTEM IS MOBIL DTE LIGHT

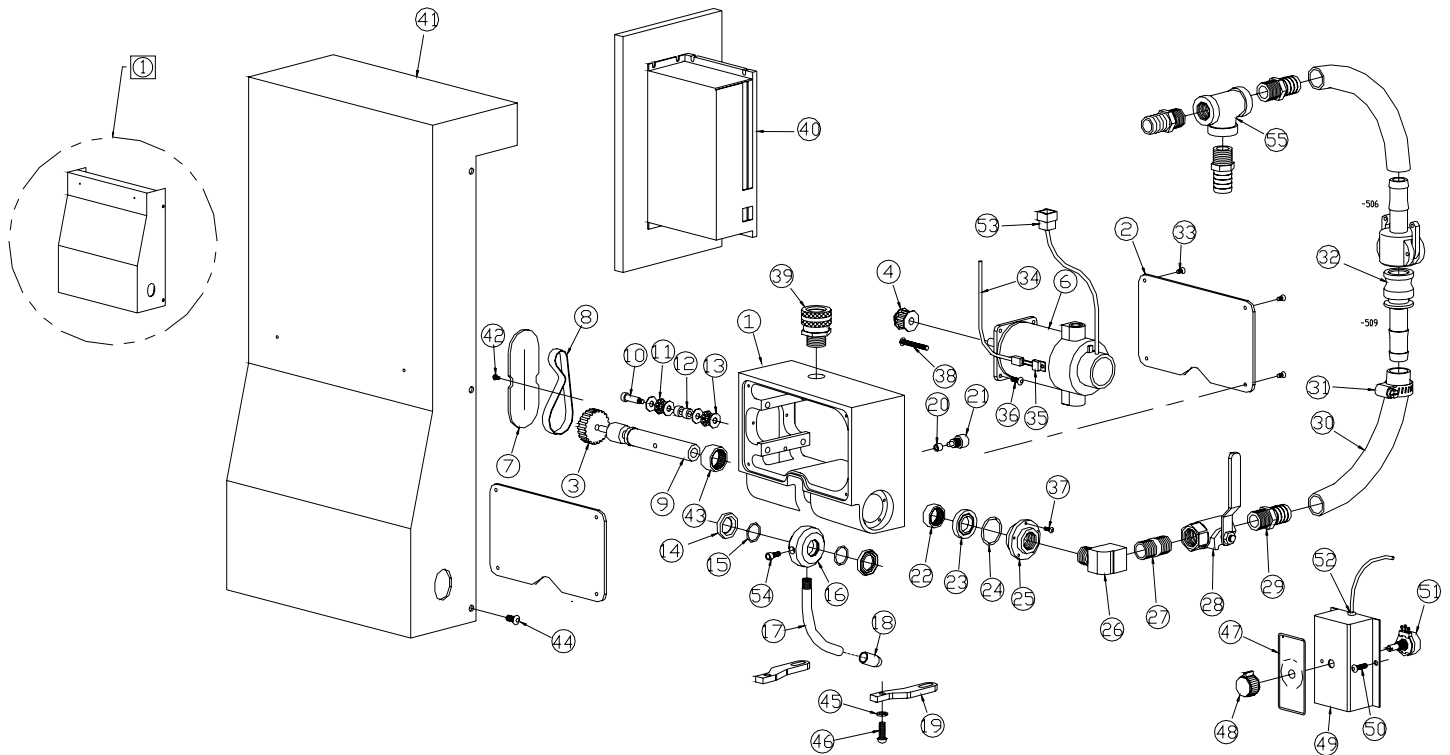
REMOTE MPG



REMOTE MPG

	PART #		PART #		PART #		PART #
1	PCB-0012	10	CTR-0009	19	ELE-0067	28	HDW-0847
2	STM-0128	11	BRG-0077	20	ELE-0078	29	PCB-0019
3	ELE-0083	12	CTR-0077	21	ELE-0112	30	ELE-0070

SERVO COOLANT

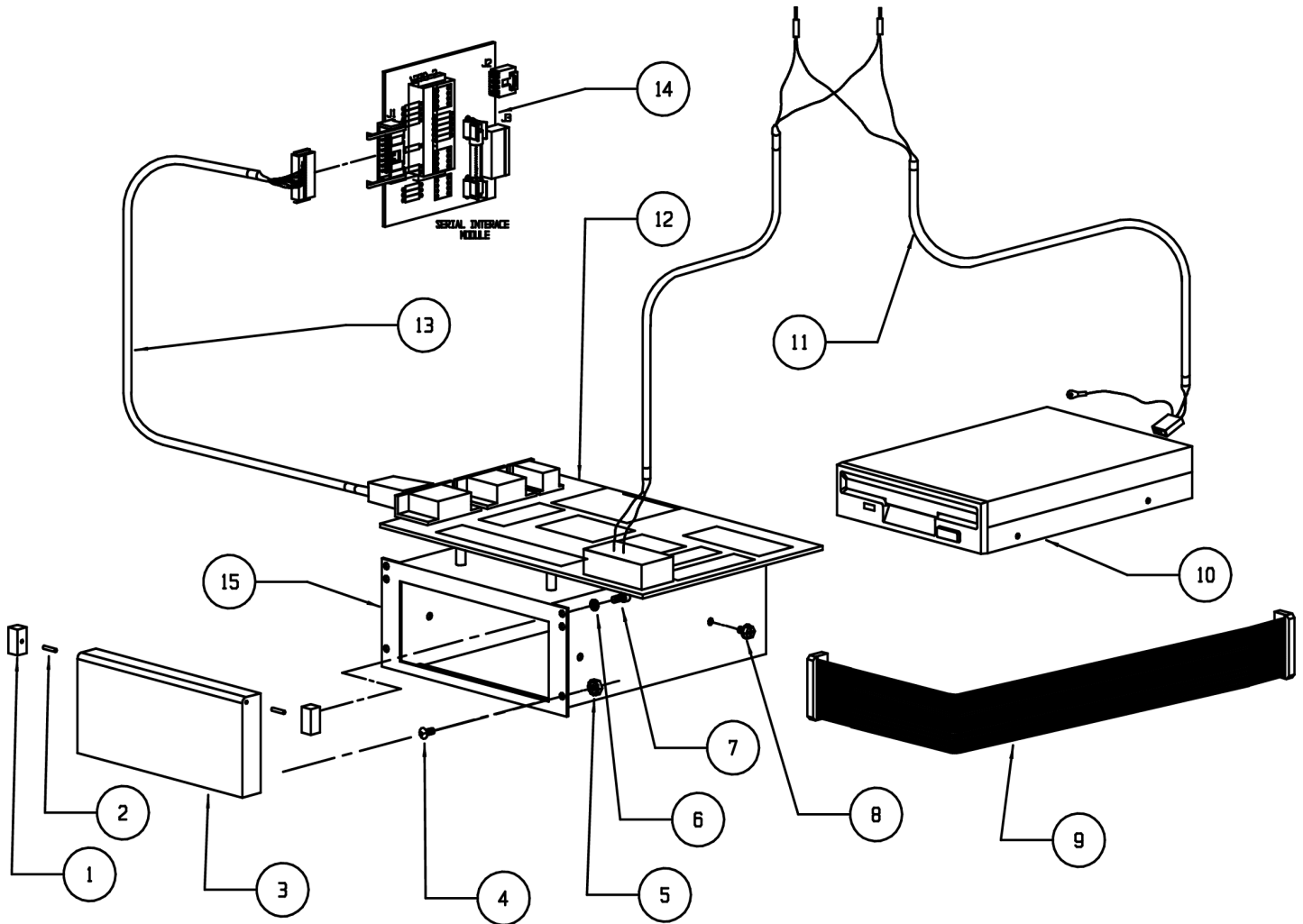


SERVO COOLANT

	PART #		PART #		PART #		PART #
1	CNT-0188	15	HDW-0696	29	PLM-0104	42	HDW-0593
2	CNT-0190	16	CNT-0155	30	PLM-0014	43	BRG-0117
3	PUL-0049	17	CNT-0152	31	HDW-0253	44	HDW-0346
4	PUL-0048	18	CNT-0161	32	PLM-0020/ 0144	45	HDW-0279
5		19	CNT-0160	33	HDW-0325	46	HDW-0589
6	MTR-0055	20	CNT-0157	34	WIR-0533	47	LBL-0044/ 0180/ 0246
7	CNT-0189	21	CNT-0156	35	ELE-0722	48	HDW-0671
8	BEL-0028	22	BRG-0118	36	HDW-0302	49	STM-0759
9	CNT-0153	23	HDW-0757	37	HDW-0594	50	HDW-0348
10	HDW-0800	24	HDW-0697	38	HDW-1114	51	ELE-0066
11	BRG-0120	25	CNT-0154	39	WIR-0517	52	HDW-0687
12	BRG-0116	26	PLM-0189	40	AMP-0013	53	WIR-0048
13	BRG-0119	27	PLM-0092	41	STM-0674 (3016/4020)	54	HDW-0302
14	HDW-0758	28	VLV-0017		STM-0675 (6030/8030)	55	PLM-0089

① USE STM-1132 INSTEAD OF STM-0674 (ITEM 41) FOR SLANT MACHINES WITH CHAIN HOIST OPTION

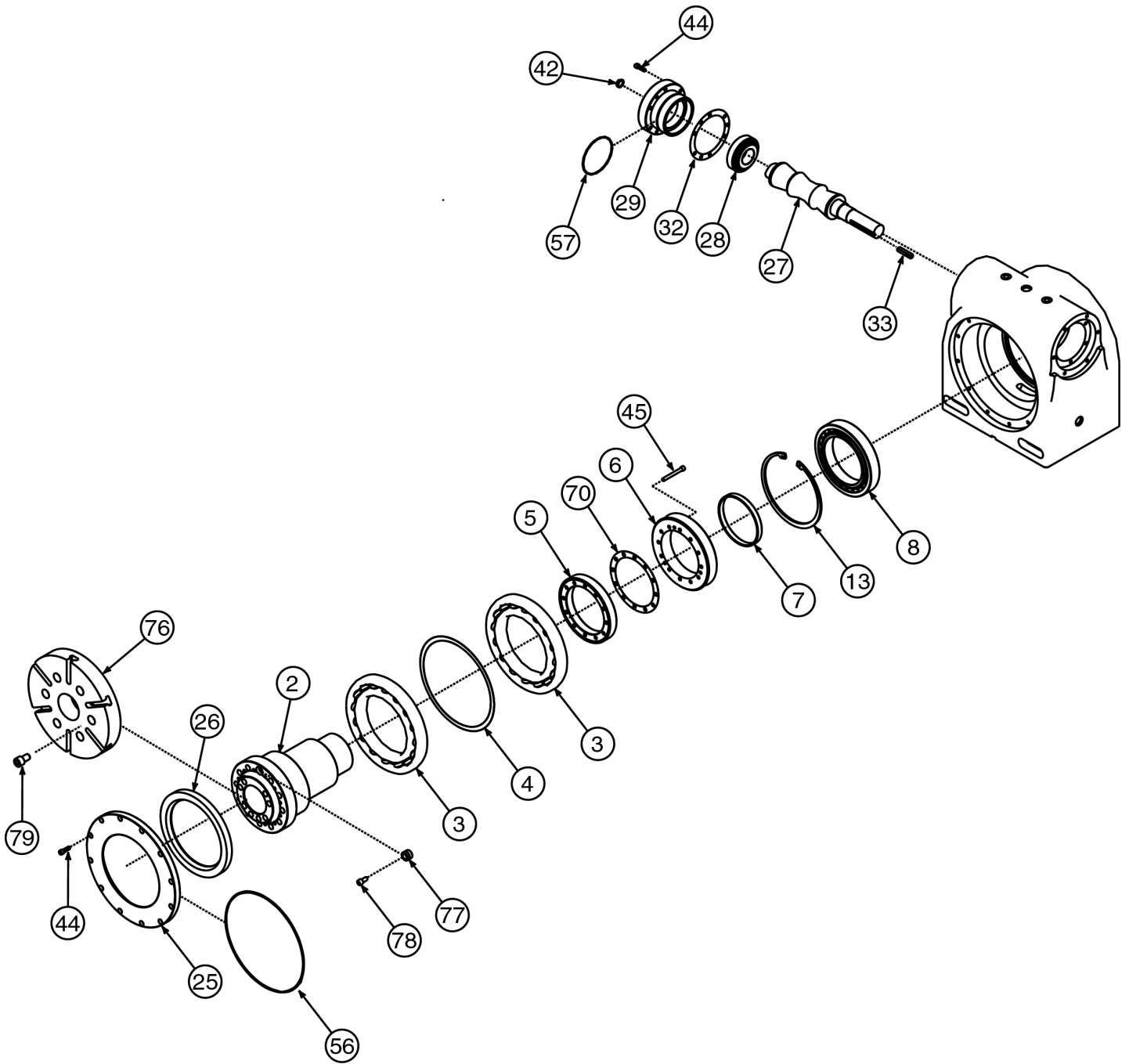
FLOPPY/ZIP DRIVES



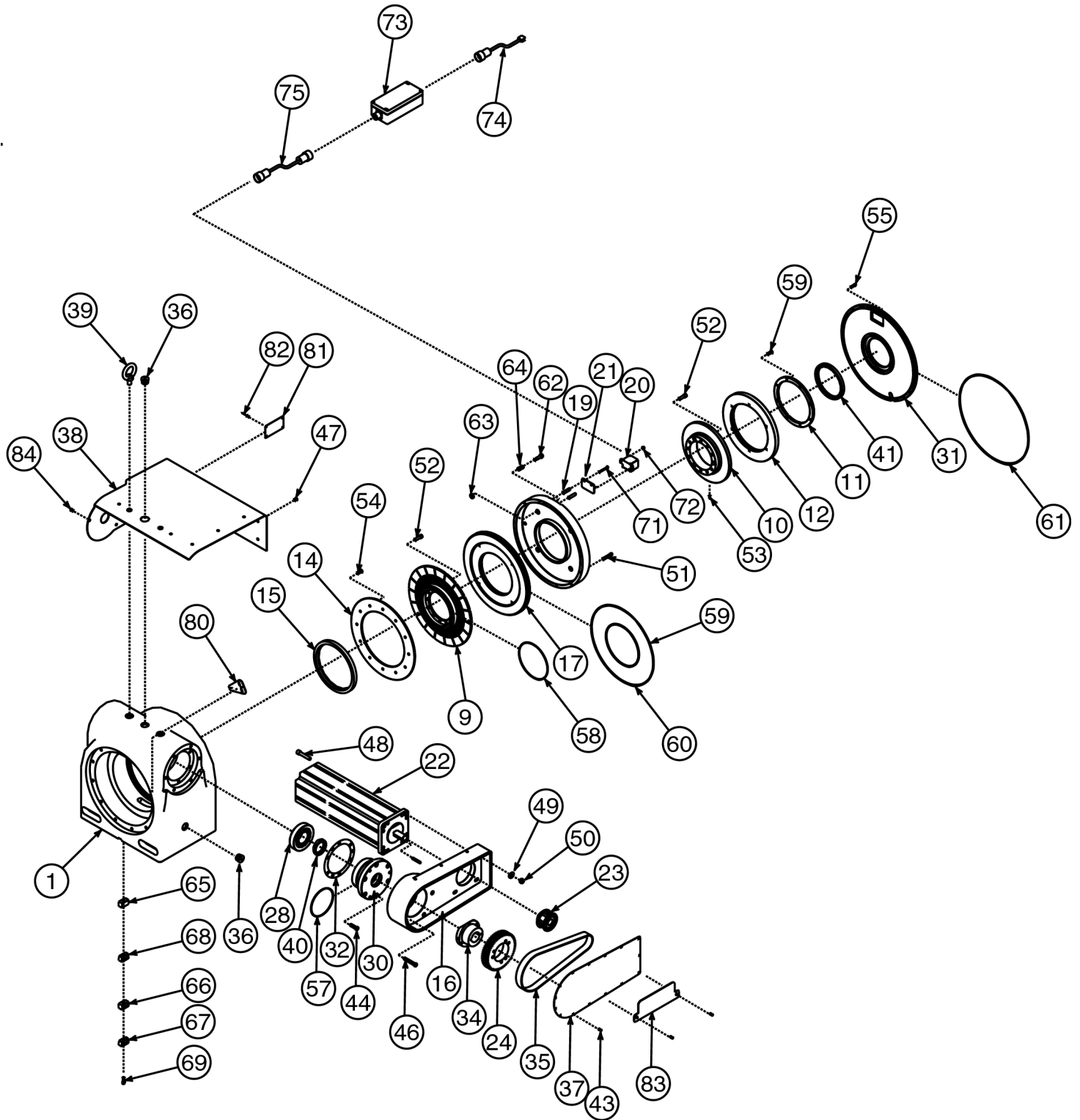
FLOPPY/ZIP DRIVES

	PART #		PART #		PART #		PART #
1	CTR-0078	5	HDW-0649	9	WIR-0659(STD), WIR-0658(ZIP)	13	WIR-0657
2	HDW-0855	6	HDW-0453	10	ELE-0168(STD), WIR-0967(ZIP)	14	PCB-0156
3	CTR-0079	7	HDW-0508	11	WIR-0660(STD), WIR-0656(ZIP)	15	STM-0470
4	HDW-0594	8		12	ELE-0966		

300/400 ROTARY TABLE BOX



300/400 ROTARY TABLE BOX



300/400 ROTARY TABLE BOX

300/400 ROTARY TABLE BOX

	PART #		PART #		PART #		PART #
1	ROT-0360	23	PUL-0046	45	HDW-1011	67	ROT-0049
2	ROT-0347	24	PUL-0047	46	HDW-0484	68	ROT-0047
3	BRG-0135	25	ROT-0346	47	HDW-0347	69	HDW-0298
4	ROT-0364	26	HDW-0939	48	HDW-0473	70	HDW-0955
5	ROT-348	27	ROT-0361	49	HDW-0049	71	HDW-1006
6	ROT-0361	28	BRG-0137,0138	50	HDW-0333	72	HDW-0657
7	ROT-0349	29	ROT-0350	51	HDW-0296	73	SCL-0041
8	ROT-0136	30	ROT-0357	52	HDW-0494	74	SCL-0081
9	ROT-0352	31	ROT-0355	53	HDW-0682	75	SCL-0083
10	ROT-0356	32	HDW-0945	54	HDW-0799	76	ROT-0397
11	ROT-0395	33	ROT-0370	55	HDW-0303	77	ROT-0402
12	SCL-0040	34	PUL-0056	56	HDW-0933	78	HDW-0475
13	HDW-0996	35	BEL-0031	57	HDW-0703	79	HDW-0461
14	ROT-0351	36	HDW-1005	58	HDW-0938	80	STM-0920
15	HDW-0940	37	STM-0723	59	HDW-0936	81	LBL-0286
16	ROT-0358	38	STM-0722	60	HDW-0937	82	SUP-0032
17	ROT-0353	39	HDW-0030	61	HDW-0935	83	LBL-0012
18	ROT-0354	40	HDW-0941	62	HDW-1006	84	HDW-0349
19	HDW-1004	41	HDW-0997	63	HDW-0998		
20	SCL-0040	42	HDW-0222	64	HDW-1007		
21	ROT-0369	43	HDW-0886	65	ROT-0046		
22	MTR-0139	44	HDW-0481	66	ROT-0048		

V300 Cable:

WIR:-0663 CBL ASY; CYL 10' PWR A/B SLANT

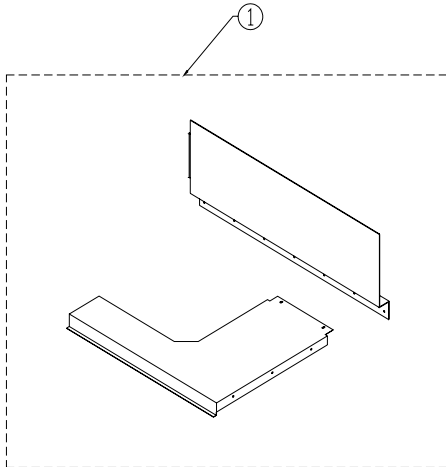
WIR:-0664 CBL ASY; CYL 10' LGIC A/B SLANT

WIR:-0665 CBL ASY; CYL 15' PWR A/B SLANT

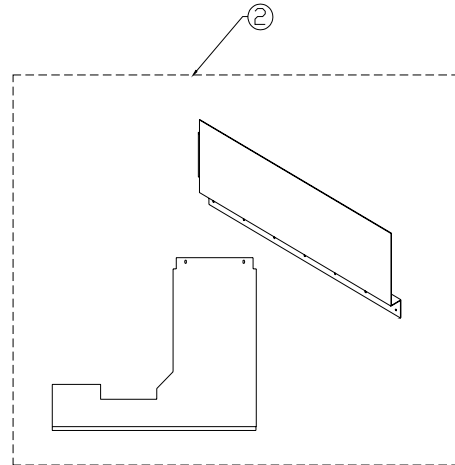
WIR:-0666 CBL ASY; CYL 15' LGIC A/B SLANT

FULL ENCLOSURE SHEETMETAL

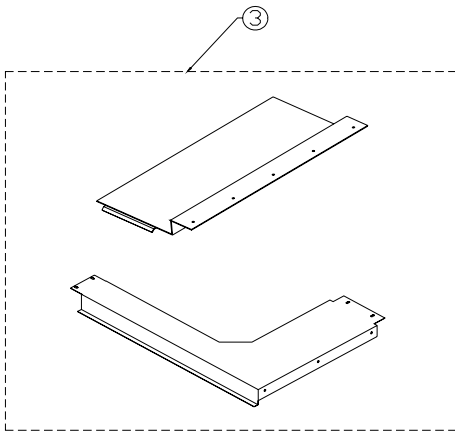
4020-STD
NO
SERVO
COOLANT



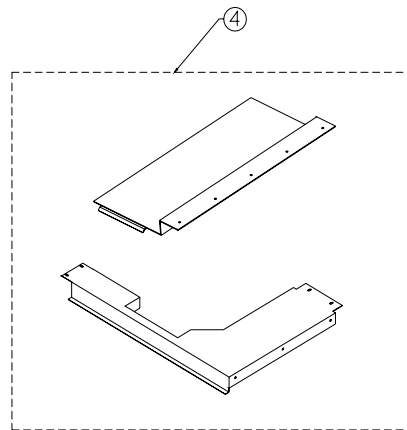
4020-STD
SERVO
COOLANT



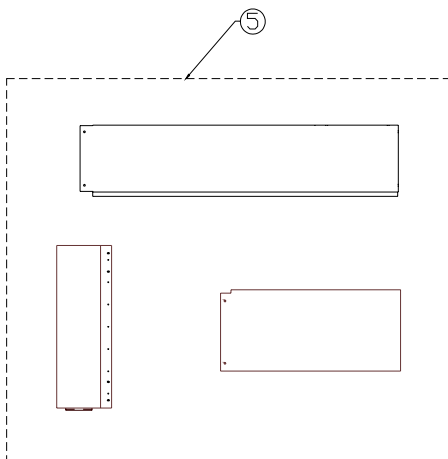
15-3016
NO SERVO
COOLANT



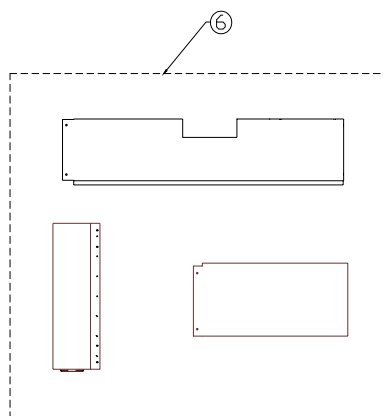
15-3016
SERVO
COOLANT



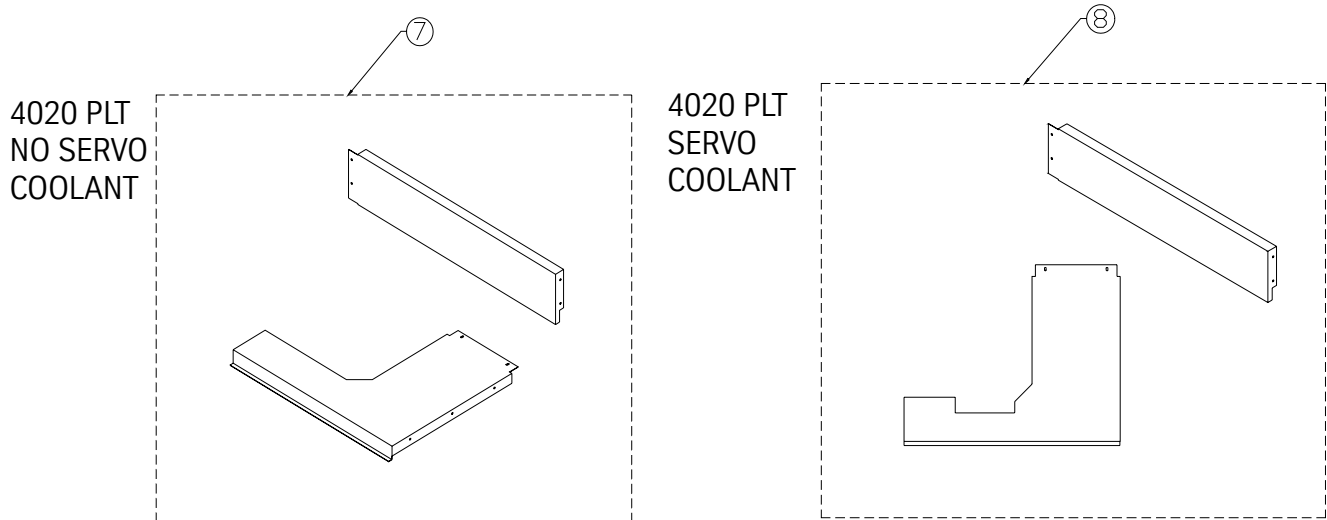
6030/8030
NO SERVO
COOLANT



6030/8030
SERVO
COOLANT



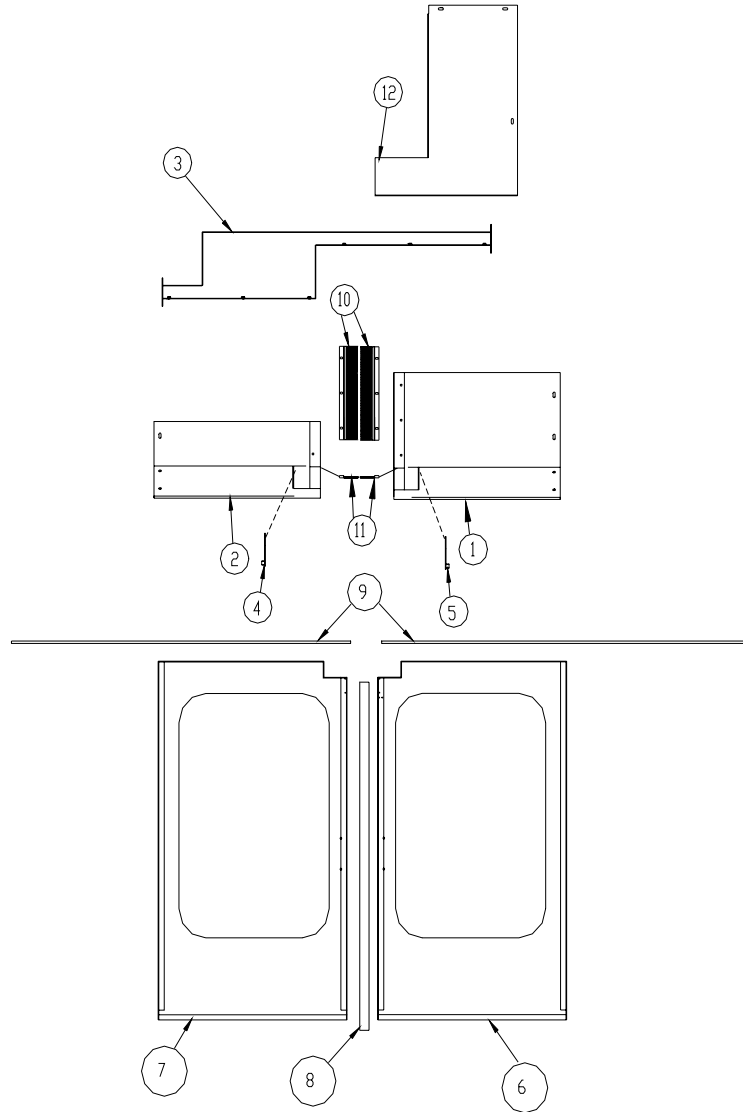
FULL ENCLOSURE SHEETMETAL



FULL ENCLOSURE SHEETMETAL

	PART#
1	STM-0449
2	STM-0450
3	STM-0451
4	STM-0452
5	STM-0453
6	STM-0454
7	STM-0455
8	STM-0456

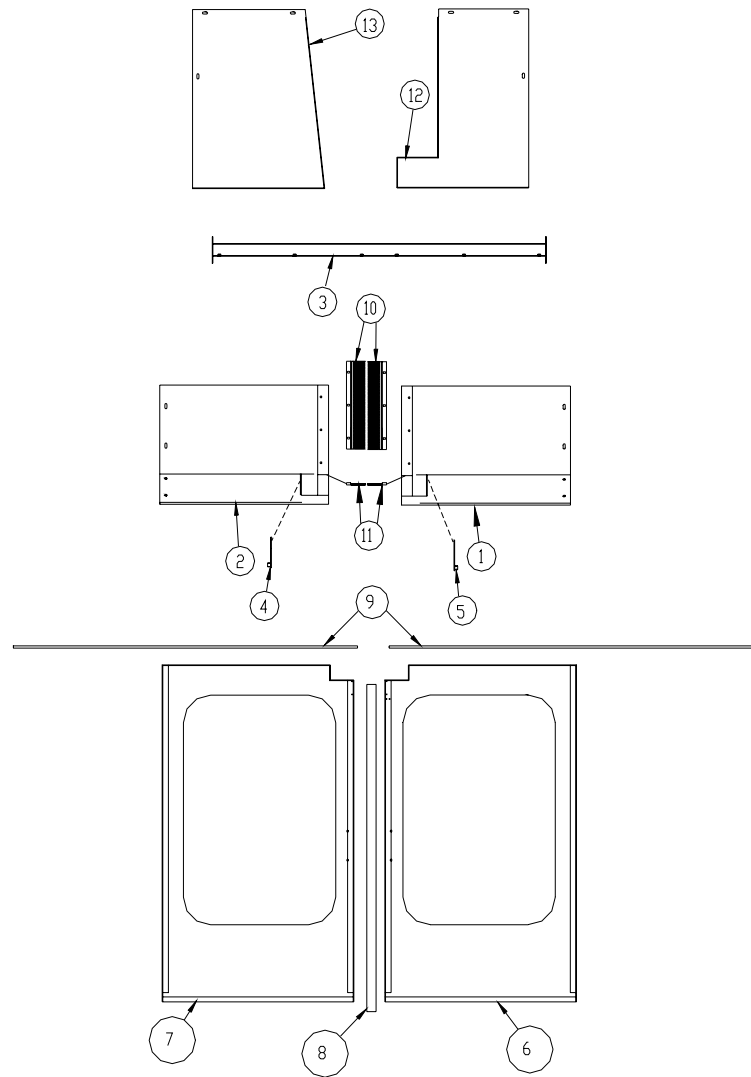
CHAIN HOIST SHEETMETAL 3020



CHAIN HOIST SHEETMETAL 3020

	PART #		PART #
1	STM-0959	7	STM-0967
2	STM-0961	8	STM-0968
3	STM-0962	9	DOR-0066
4	STM-0964	10	HDW-1068
5	STM-0965	11	HDW-1069
6	STM-0966	12	STM-1022

CHAIN HOIST SHEETMETAL 4020S

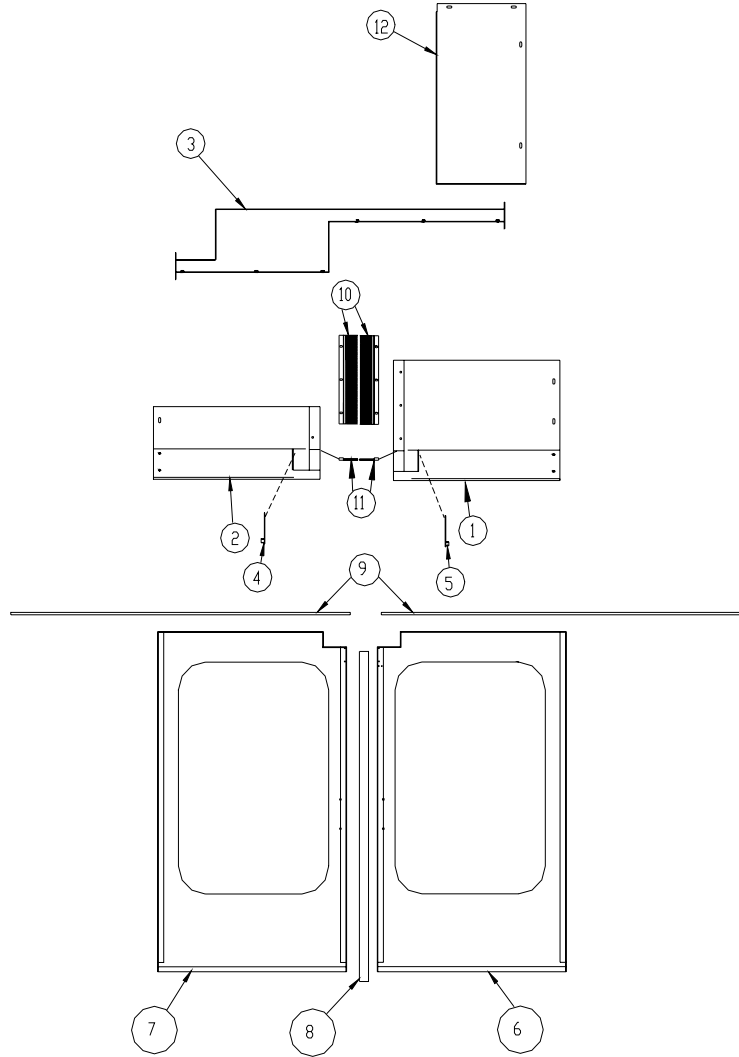


CHAIN HOIST SHEETMETAL 4020S

	PART #		PART #
1	STM-0959	8	STM-0968
2	STM-0960	9	DOR-0063
3	STM-0963	10	HDW-1068
4	STM-0964	11	HDW-1069
5	STM-0965	12	STM-1093
6	STM-0966	13*	STM-1094
7	STM-0967		

* FOR STANDARD TOOL CHANGER ONLY

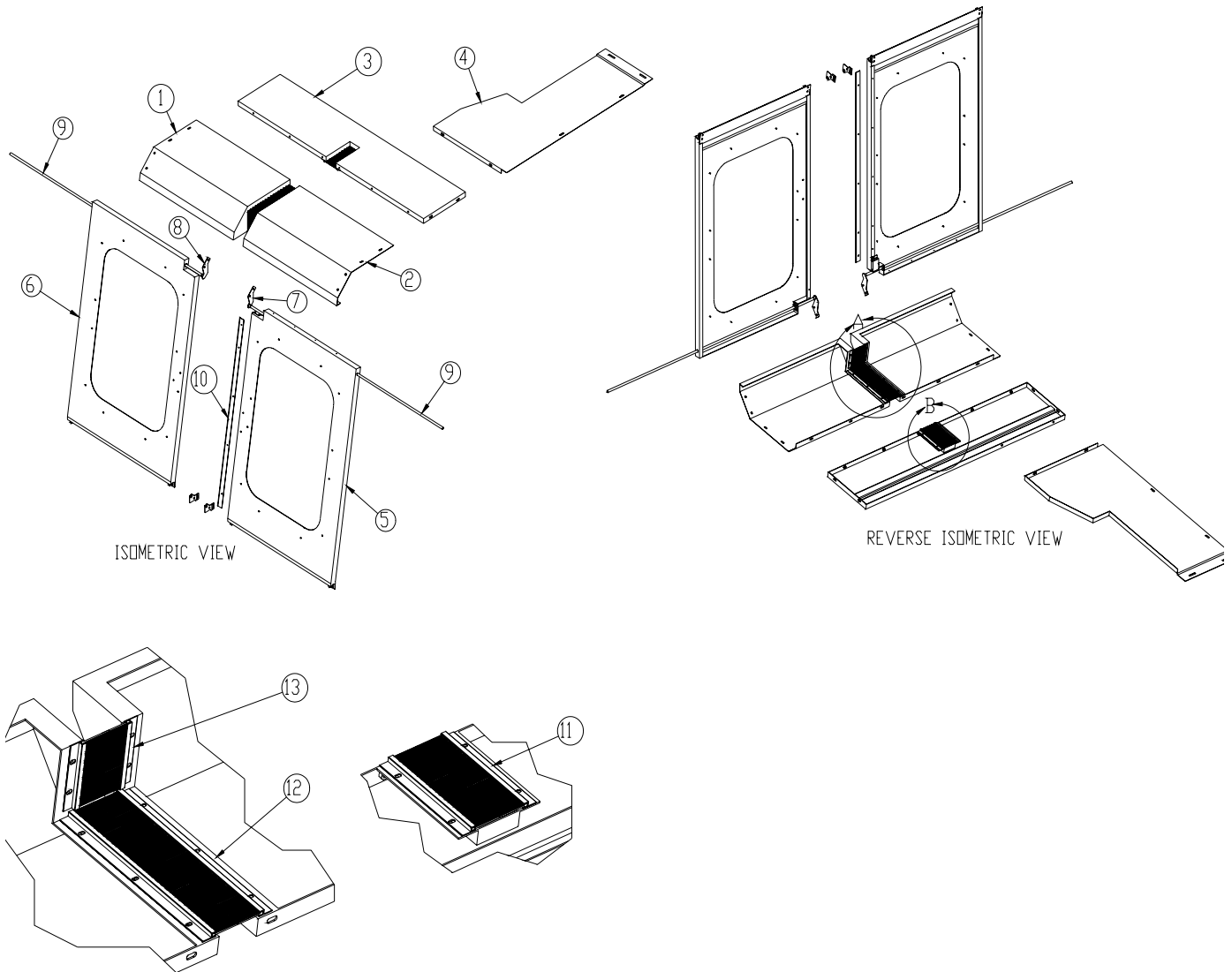
CHAIN HOIST SHEETMETAL 4525



CHAIN HOIST SHEETMETAL 4525

	PART #		PART #
1	STM-0959	7	STM-0967
2	STM-0961	8	STM-0968
3	STM-0962	9	DOR-0067
4	STM-0964	10	HDW-1068
5	STM-0965	11	HDW-1069
6	STM-0966	12	STM-1092

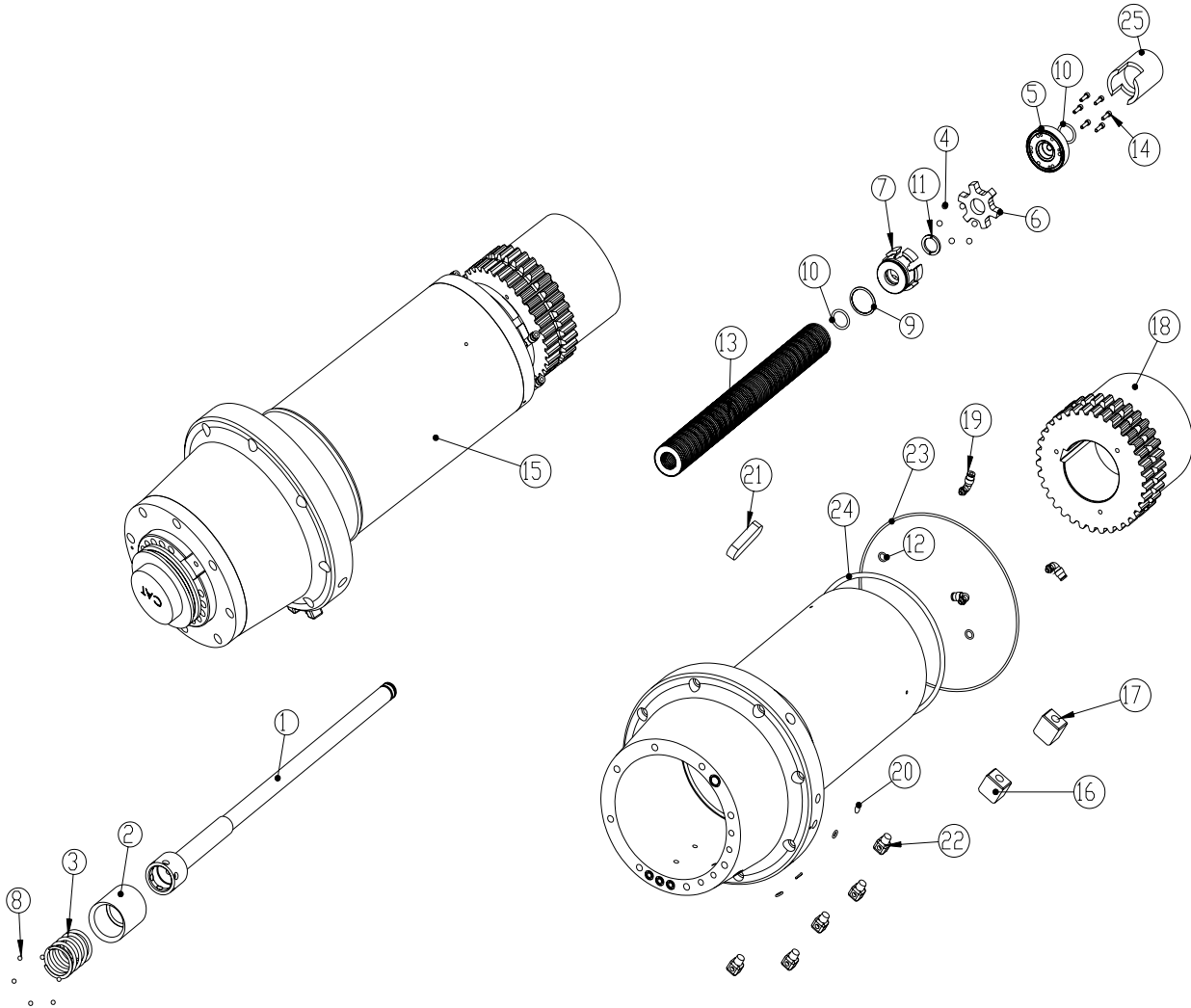
CHAIN HOIST SHEETMETAL 6535



CHAIN HOIST SHEETMETAL 6535

	PART #		PART #
1	STM-1329	8	STM-0964
2	STM-1330	9	DOR-0073
3	STM-1245	10	STM-0968
4	STM-1331	11	HDW-1127
5	STM-1336	12	HDW-1068
6	STM-1337	13	HDW-1069
7	STM-0965		

50 TAPER SPINDLE



50 TAPER SPINDLE

	Part Number	Description	Quantity
1	DRB-0033	DRAWBAR,6535-50T-CAT	1
2	DRB-0034	FLOATER,DRAWBAR;6535-50T CAT	1
3	HDW-1255	FLOATER SPRING,6535-50T;COMPRESSION	1
4	BRG-0004	BALL,CHROME-PRECISION;1/4 GR25	6
5	DRB-0045	CAP,KNOCKOUT;LDB 6535-50T CAT/BT	1
6	DRB-0042	SPIDER,DRAWBAR;6535-50T CAT/BT	1
7	DRB-0041	SPRING PILOT,CNT;6535-50T CAT/BT	1
8	BRG-0005	BALL,CHROME-PRECISION;3/16 G25	6
9	HDW-1254	O-RING, -220	1
10	HDW-0157	O'RING,-116; .750 X .093 CS	1
11	DRB-0044	RETAINER CLIPS,DRAWBAR;6535-50T SET/2	2
12	HDW-0180	O'RING,-011; .312 X .062 CS	3
13	HDW-1158	SPRING,BELLEVILLE;50T CAT/BT [120 REQD]	120
14	HDW-0305	SCREW,SOCAP;6-32 X 1/2	6
15	SPN-0143	SPN/PUL,7500 50 TAPER;CAT50 DATC	1
16	SPN-0144	KEY DRIVE,SHORT;50T	1
17	SPN-0151	KEY,DRIVE,LONG	1
18	PUL-0076	PULLEY,SPN;50 TAPER 7500	1
19	PLM-0158	FITTING,5/32QD X 10-32 ELBOW	5
20	HDW-0866	O'RING,-009;.2187 X .062 CS	4
21	SPN-0149	KEY,SPINDLE PULLEY;50T	1
22	LUB-0076	FITTING,5/32QD X 1/8 MIPT ELBOW BRASS	5
23	HDW-1252	O-RING, -172	1
24	HDW-1253	O-RING, -363	1
25	SVT-0199	TOOL,DRAWBAR REMOVAL;50T CAT/BT	1

