

TABLE OF CONTENTS

Parts Manual VMC 5020A MODEL



COLUMN ASSEMBLY	2
7500 RPM HEAD ASSEMBLY	4
10K RPM HEAD ASSEMBLY	6
BASE, TABLE & SADDLE ASSEMBLY	8
DRAWBAR CYLINDER ASSEMBLY	10
7500 RPM ORIENTATION BRIDGE	11
10K RPM ORIENTATION BRIDGE	12
IDLER ASSEMBLIES	13
WAY LUBE PUMP ASSEMBLY	15
GENEVA DRIVE ATC ASSEMBLY	16
SERVO DRIVE ATC ASSEMBLY	18
7500 RPM SPINDLE ASSEMBLY	20
10K RPM SPINDLE ASSEMBLY	21
COOLANT THROUGH SPINDLE	22
CNC CABINET ASSEMBLY	23
CARD CAGE ASSEMBLY	24
JUNCTION BOX CABINET ASSEMBLY	25
CHILLER CABINET ASSEMBLY	26
MP PENDANT ASSEMBLY	27
88HS PENDANT ASSEMBLY	28
FRONT DOOR ASSEMBLY	29
WAY COVER ASSEMBLY	30
SHEETMETAL HOUSING	31
7500 RPM COOLANT TANK	32
10K RPM COOLANT TANK	33



This reference covers the following Fadal products:

Model VMC 5020A

Corporate Officevoice (818) 407-1400 fax (818) 407-0020
Service / Partsvoice (818) 727-2100 fax (818) 407-1004
Programming Supportvoice (818) 727-2100 fax (818) 407-0061

support@fadal.com

20701 Plummer Street Chatsworth California 91311 U.S.A.

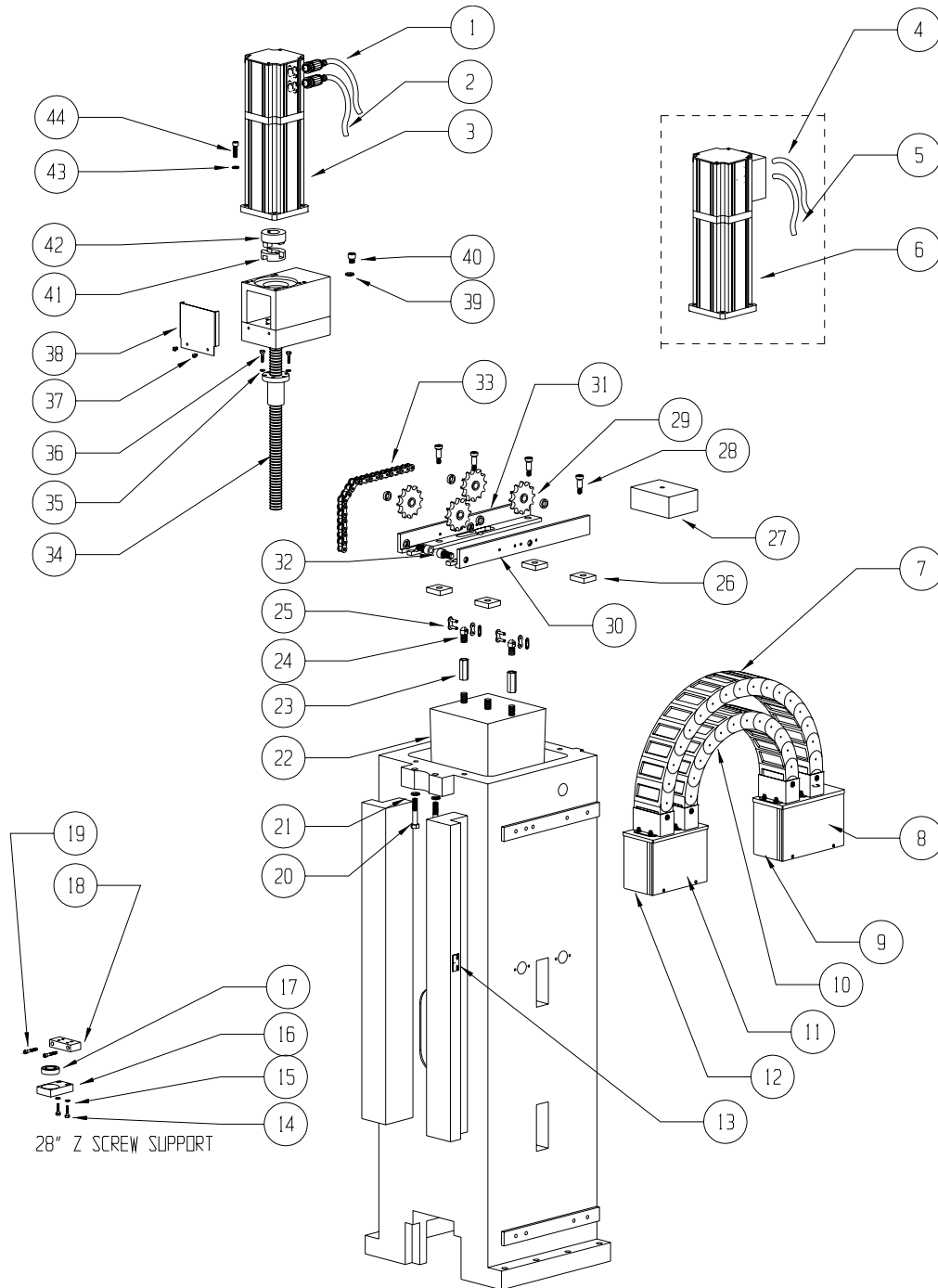
The content of this manual has been reviewed for accuracy and is applicable to current Fadal hardware and software products as described herein. Differences may exist and we cannot guarantee that they are completely covered in this document. The information in this document is reviewed regularly and any necessary changes will be incorporated in the next revision. We welcome any suggestions for improvement.

Material is subject to change without notice.

This manual is for the exclusive use of Fadal Customers and Distributors. The reproduction, transmission or use of this document or its contents is not permitted without the expressed written permission of Fadal Machining Centers. All rights, including rights created by patent grant or registration of a utility, model or design, are reserved.

© Copyright 2001 Fadal Machining Centers.

COLUMN ASSEMBLY

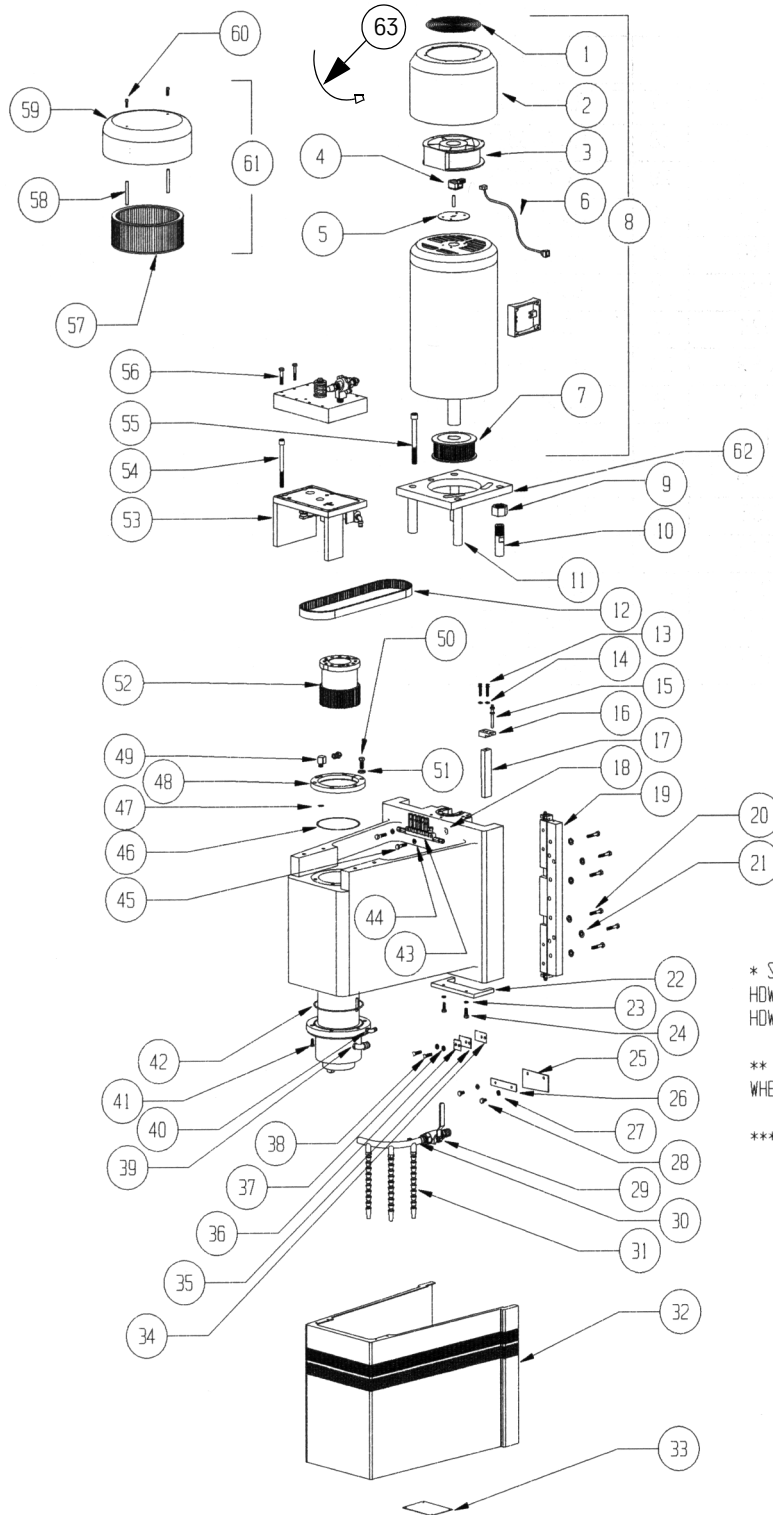


COLUMN ASSEMBLY

COLUMN ASSEMBLY

	PART #		PART #		PART #		PART #
1	WIR-0612	13	STM-0044	25	HDW-0204	36	HDW-0319
2	WIR-0611	14	HDW-0315	26	HDW-0363	37	HDW-0347
3	MTR-0142	15	HDW-0048	27	CWT-0002	38	STM-0043
4	WIR-0610	16	BLS-0042	28	HDW-0600	39	HDW-0451
5	WIR-0609	17	BRG-0023	29	PUL-0034	40	HDW-0465
6	MTR-0126	18	BLS-0041	30	CWT-0005	41	MTR-0071
7	CVR-0075	19	HDW-0577	31	CWT-0007	42	MTR-0073
8	STM-0333	20	HDW-0655	32	HDW-0461	43	HDW-0280
9	STM-0334	21	HDW-0050	33	HDW-0205	44	HDW-0779
10	CVR-0073	22	CWT-0018	34	BLS-0031 (20")		
11	STM-0300	23	HDW-0335		BLS-0024 (28")		
12	STM-0301	24	CWT-0001	35	HDW-0281		

7500 RPM HEAD ASSEMBLY



* SPN-0008 INCLUDES
HDW-0181, HDW-0177
HDW-0148, PUL-0018

** SPECIFY SIZE
WHEN ORDERING

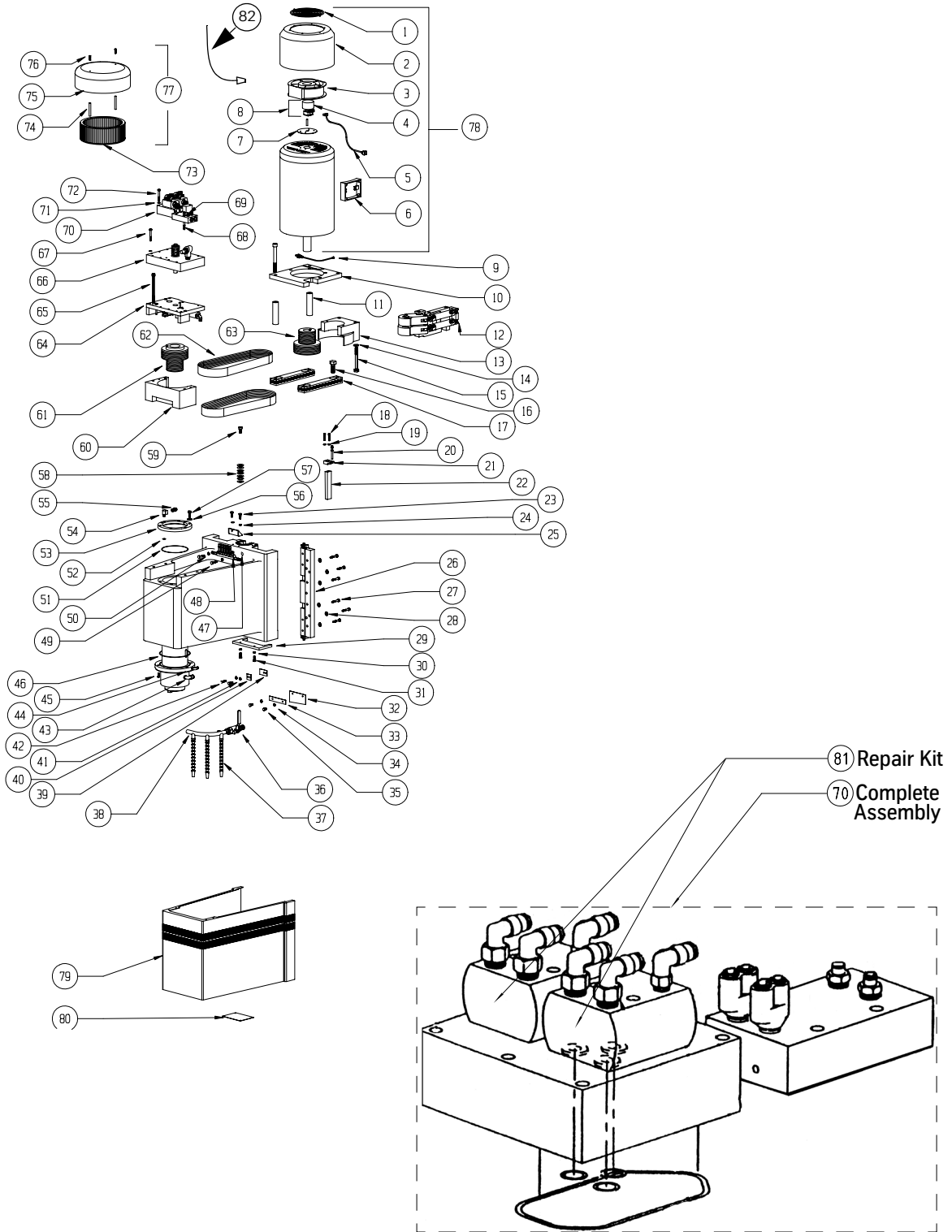
*** REPLACEMENT PART
HYD-0018

7500 RPM HEAD ASSEMBLY

7500 RPM HEAD ASSEMBLY

	PART #		PART #		PART #		PART #
1	HDW-0851	17	GIB-0001	33	STM-0064	49	PLM-0075
2	STM-0139	18	HDW-0380	34	GIB-0010	50	HDW-0568
3	ELE-0124	19	GIB-0023	35	HDW-0355	51	HDW-0275
4	ENC-0007	20	HDW-0569	36	STM-0042	52	PUL-0025
5	STM-0148	21	HDW-0280	37	HDW-0279	53	ORB-0015
6	WIR-0168	22	CVR-0048	38	HDW-0294	54	HDW-0290
7	PUL-0024	23	HDW-0279	39	PLM-0112	55	HDW-0469
8	MTR-0099	24	HDW-0327	40	PLM-0035	56	HDW-0320
9	PLC-0042	25	HDW-0335	41	HDW-0470	57	MTR-0127
10	MTR-0075	26	STM-0052	42	HDW-0181	58	SVT-0108
11	MTR-0076	27	HDW-0279	43	LUB-0045	59	STM-0467
12	BEL-0006	28	HDW-0319	44	HDW-0280	60	HDW-0597
13	HDW-0294	29	VLV-0017	45	HDW-0576	61	HDW-0128
14	HDW-0279	30	CNT-0039	46	HDW-0148	62	MTR-0075
15	GIB-0013	31	PLM-0016	47	HDW-0177	63	WIR-0128
16	GIB-0010	32	STM-0057	48	SPN-0042		

10K RPM HEAD ASSEMBLY



10K RPM HEAD ASSEMBLY

10,000 RPM HEAD ASSEMBLY

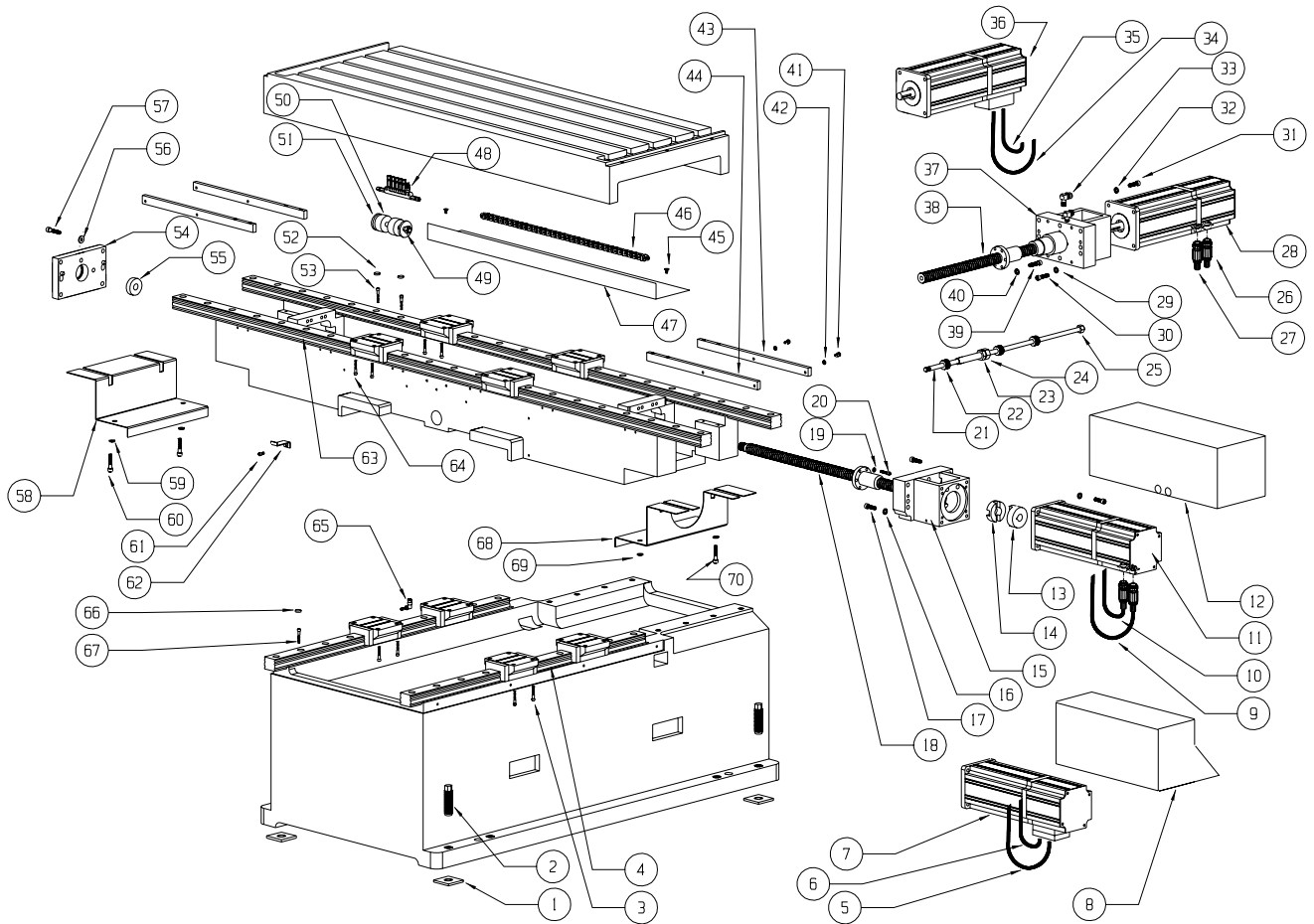
	PART #		PART #		PART #		PART #
1	HDW-0851	21	GIB-0010	42	HDW-0294	63	PUL-0019
2	STM-0139	22	GIB-0001 ⁽¹⁾	43	PLM-0112	64	ORB-0001
3	ELE-0124	23	HDW-0320	44	PLM-0034	65	HDW-0290
4	MTR-0123	24	HDW-0279	45	HDW-0470	66	DRB-0000
5	WIR-0168	25	STM-0141	46	HDW-0181	67	HDW-0320
6	MTR-0058	26	GIB-0004 ⁽¹⁾	47	HDW-0380	68	HDW-0321 (HT)
7	STM-0148	27	HDW-0791	48	LUB-0045	69	HDW-0279 (HT)
8	ENC-0007	28	HDW-0280	49	HDW-0576	70	HYD-0017
9	HDW-0369	29	CVR-0048	50	HDW-0279	71	HDW-0279 (HT)
10	MTR-0069	30	HDW-0279	51	HDW-0148	72	HDW-0320 (HT)
11	MTR-0149	31	HDW-0322	52	HDW-0177	73	MTR-0127
12	IDL-0003	32	HDW-0356	53	SPN-0042	74	SVT-0108
13	BEL-0015	33	STM-0052	54	PLM-0045	75	STM-0467
14	HDW-0451	34	HDW-0279	55	PLM-0088	76	HDW-0597
15	HDW-0311	35	HDW-0319	56	HDW-0275	77	MTR-0128
16	HDW-0283	36	VLV-0017	57	HDW-0568	78	MTR-0047 ⁽²⁾ (HT)
17	MTR-0068	37	PLM-0016	58	HDW-0194		MTR-0043 ⁽²⁾
	MTR-0064	38	CNT-0039	59	HDW-0553	79	STM-0057
18	HDW-0294	39	HDW-0355	60	BEL-0014	80	STM-0064
19	HDW-0279	40	STM-0042	61	PUL-0018	81	HYD-0018
20	GIB-0013	41	HDW-0279	62	BEL-0003	82	WIR-0128

¹Specify gib size when ordering.

²MTR-0047 and MTR-0043 include PUL-0019.

HT=High Torque

BASE, TABLE & SADDLE ASSEMBLY

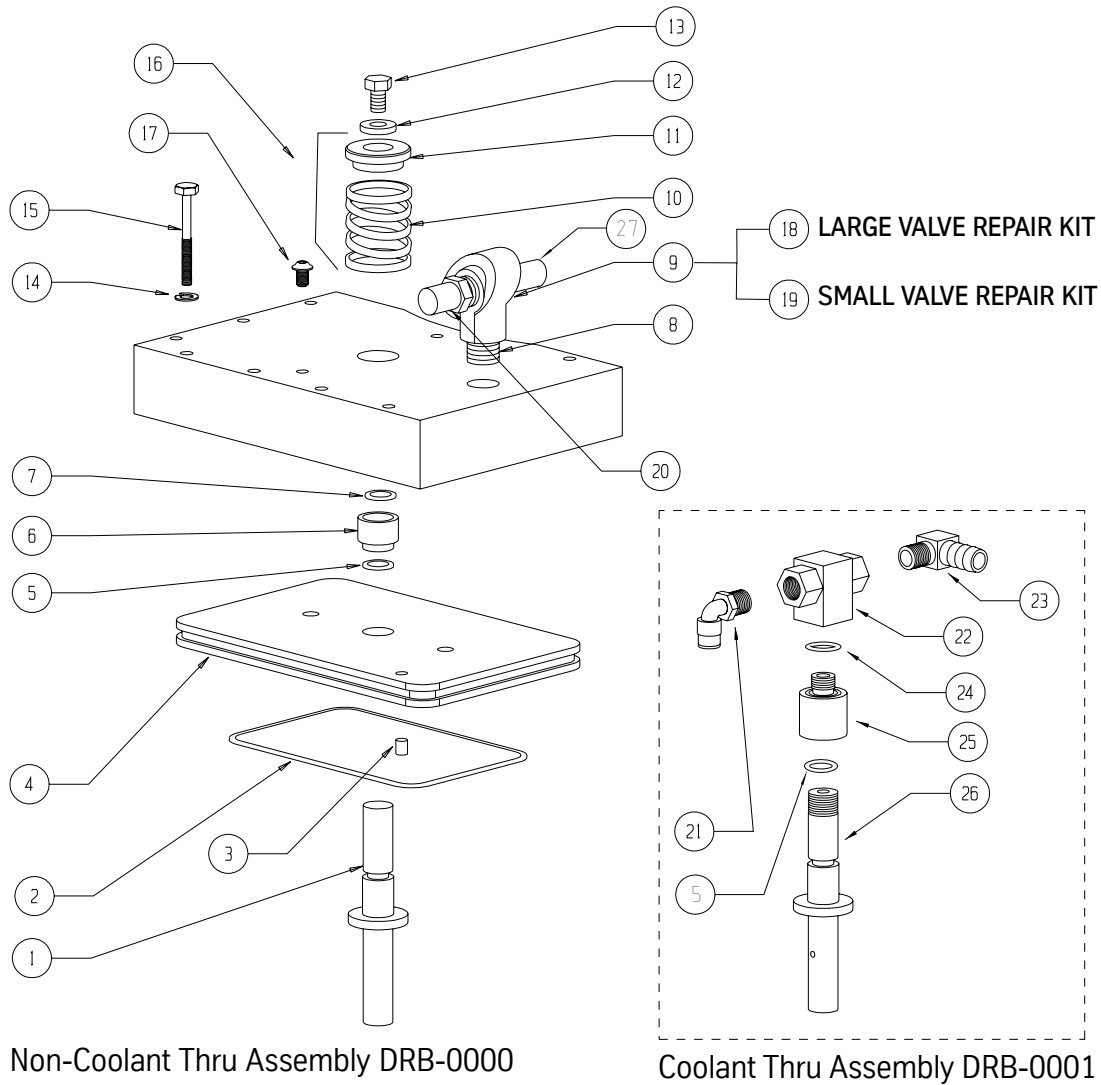


BASE, TABLE & SADDLE ASSEMBLY

BASE, TABLE & SADDLE ASSEMBLY

	PART #		PART #		PART #		PART #		PART #
1	SHP-0002	17	HDW-0485	33	PLM-0112	49	HDW-0562	63	BRG-0095
2	HDW-0432	18	BLS-0172	34	WIR-0556		HDW-0341	64	HDW-0012
3	HDW-0779	19	HDW-0281	35	WIR-0557	50	HDW-0375	65	PLM-0028
4	BRG-1228	20	HDW-0025	36	MTR-0126	51	HDW-0858	66	BRG-0106
5	WIR-0606	21	BLS-0214	37	BLS-0038	52	BRG-0106	67	HDW-0012
6	WIR-0605	22	HDW-0194	38	BLS-0174	53	HDW-0012	68	STM-0500
7	MTR-0126	23	HDW-0637	39	HDW-0291	54	BLS-0217	69	HDW-0050
8	WIR-0561	24	HDW-0018	40	HDW-0281	55	BRG-0022	70	HDW-0012
9	WIR-0566	25	HDW-0332	41	HDW-0296	56	HDW-0381		
10	WIR-0605	26	WIR-0610	42	HDW-0279	57	HDW-0407		
11	MTR-0142	27	WIR-0609	43	CVR-0099		HDW-0485		
12	STM-0609	28	MTR-0142	44	CVR-0099	58	STM-0502		
13	MTR-0073	29	HDW-0281	45	HDW-0319	59	HDW-0050		
14	MTR-0071	30	HDW-0291	46	CVR-0082	60	HDW-0017		
15	BLS-0027	31	HDW-0779	47	STM-0518	61	HDW-0319		
16	HDW-0281	32	HDW-0280	48	LUB-0045	62	STM-0767		

DRAWBAR CYLINDER ASSEMBLY

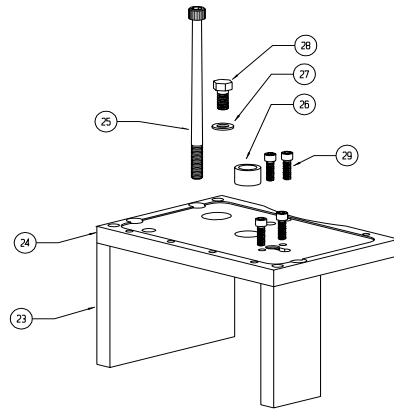


DRAWBAR CYLINDER ASSEMBLIES

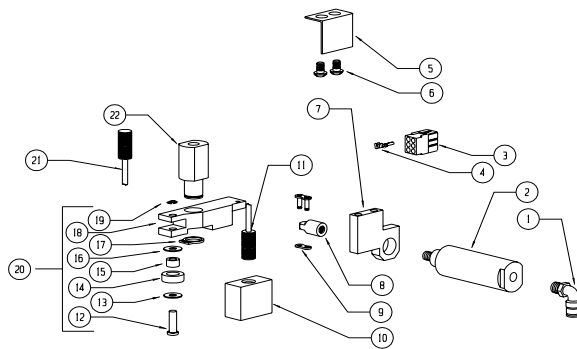
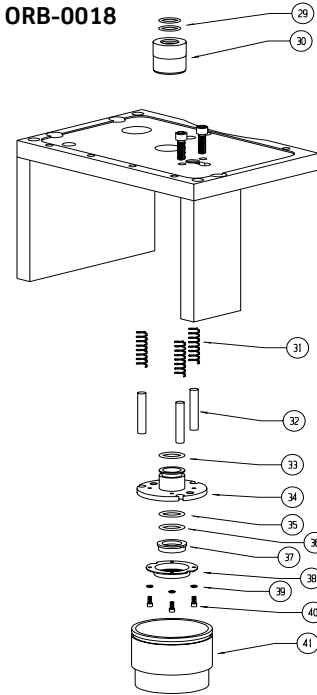
	PART #		PART #		PART #		PART #
1	DRB-0007	8	PLM-0117	15	HDW-0320	22	VLV-0021
2	HDW-0178	9	VLV-0031	16	HDW-0197	23	PLM-0105
3	ELE-0147	10	HDW-0262	17	HDW-0347	24	HDW-0150
4	DRB-0009 ⁽¹⁾	11	DRB-0017	18	VLV-0032	25	CNT-0046
5	HDW-0177	12	HDW-0048	19	VLV-0033	26	DRB-0008
6	DRB-0023	13	HDW-0575	20	PLM-0083	27	PLM-0030
7	HDW-0917	14	HDW-0279	21	PLM-0037		

7500 RPM ORIENTATION BRIDGE

ORB-0015



ORB-0018



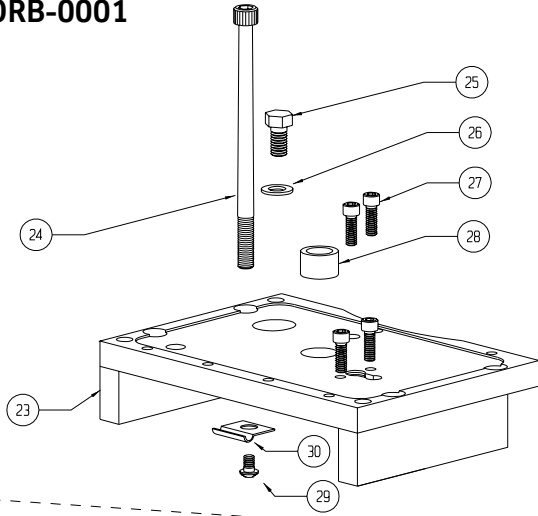
SEAL REPAIR KIT CNT-0150

7500 RPM ORIENTATION BRIDGE

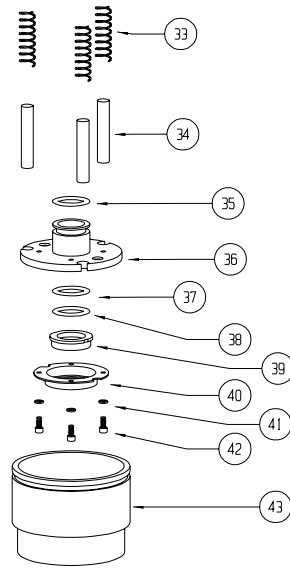
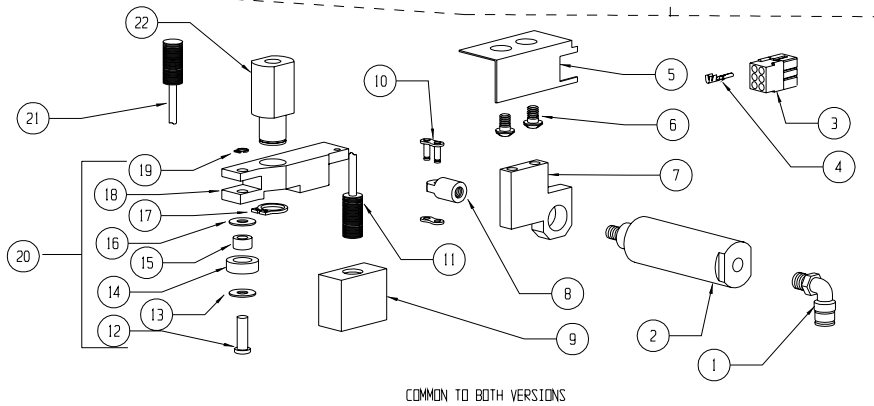
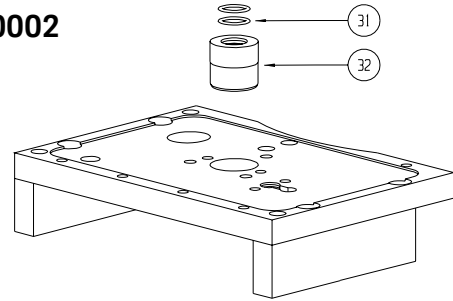
	PART #		PART #		PART #		PART #
1	PLM-0034	10	HDW-0209	22	ORB-0013	34	HDW-0156
2	CYL-0007	11	ELE-0145	23	ORB-0008	35	CNT-0041
3	WIR-0051	12	ORB-0007	24	HDW-0285	36	HDW-0155
4	WIR-0043 (16 AWG)	13	HDW-0515	25	HDW-0571	37	HDW-0156
	WIR-0044 (16 AWG)	14	ORB-0009	26	HDW-0048	38	CNT-0033
	WIR-0544 (22 AWG)	15	BRG-0014	27	HDW-0298	39	CNT-0045
	WIR-0056 (22 AWG)	16	HDW-0515	28	BRG-0008	40	HDW-0453
5	STM-0684	17	HDW-0725	29	HDW-0349	41	HDW-0308
6	HDW-0347	18	ORB-0031	30	HDW-0150	42	CNT-0140
7	ORB-0030	19	HDW-0726	31	CNT-0042		
8	ORB-0011	20	ORB-0004	32	HDW-0257		
9	ORB-0014	21	ELE-0145	33	HDW-0326		

10K RPM ORIENTATION BRIDGE

ORB-0001



ORB-0002



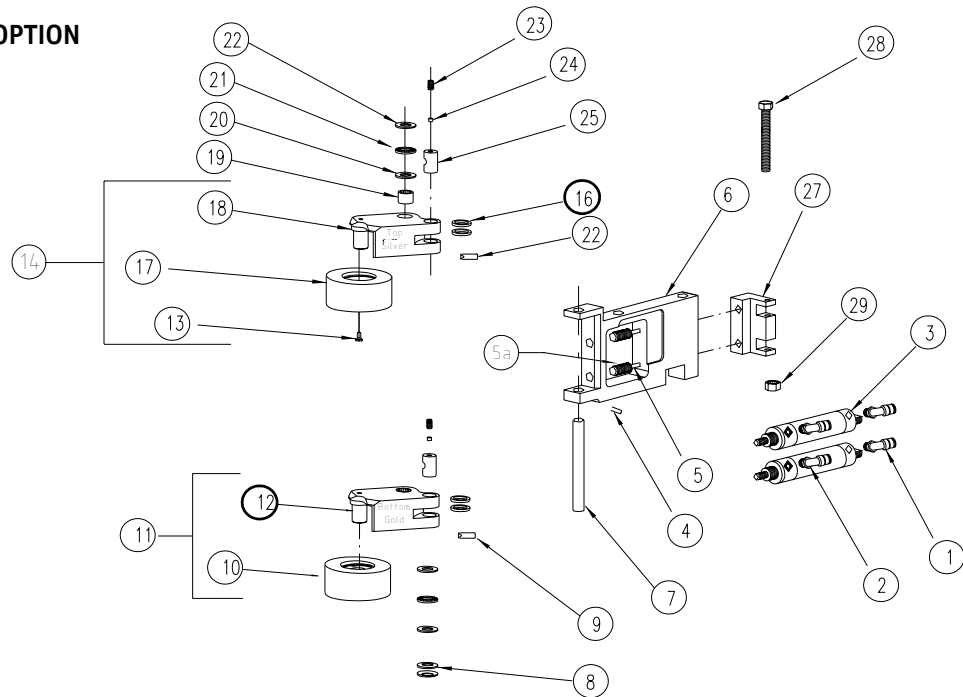
10K RPM ORIENTATION BRIDGE

ORIENTATION BRIDGE ASSEMBLIES

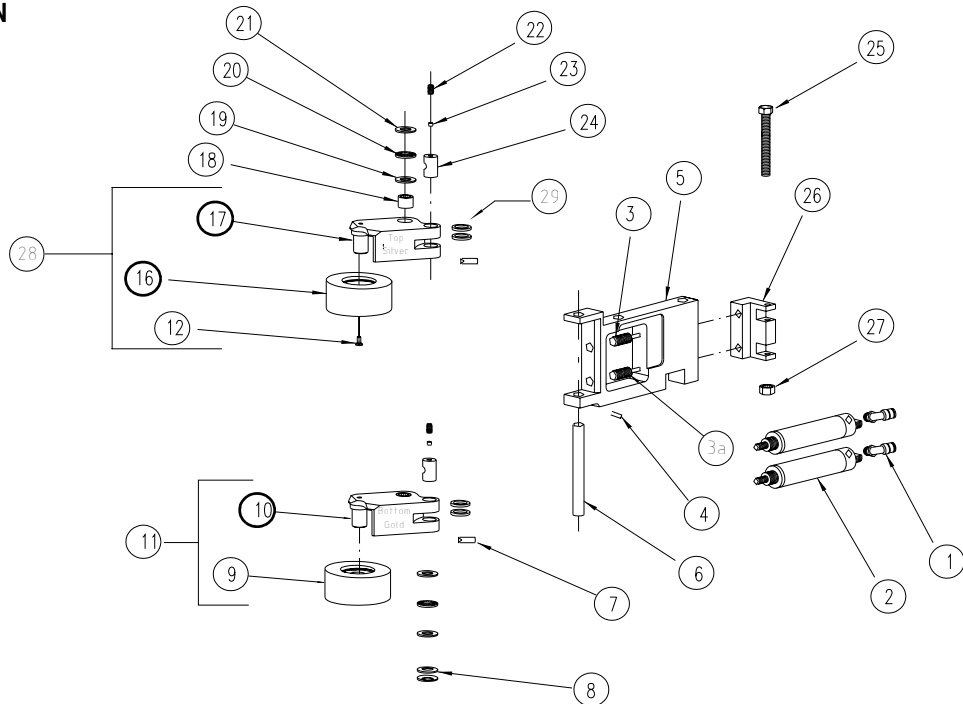
	PART#		PART#		PART#		PART#		PART#
1	PLM-0034	8	ORB-0011	18	ORB-0031	28	BRG-0008	38	HDW-0156
2	CYL-0007	9	ORB-0014	19	HDW-0726	29	HDW-0349	39	CNT-0033
3	WIR-0051	10	HDW-0209	20	ORB-0004	30	LUB-0077	40	CNT-0045
4	WIR-0043 (16 AWG)	11	ELE-0145	21	ELE-0145	31	HDW-0150	41	HDW-0453
	WIR-0044 (16 AWG)	12	ORB-0007	22	ORB-0013	32	CNT-0042	42	HDW-0308
	WIR-0544 (22 AWG)	13	HDW-0515	23	ORB-0008	33	HDW-0257	43	CNT-0140
	WIR-0056 (22 AWG)	14	ORB-0009	24	HDW-0285	34	HDW-0326		
5	STM-0596	15	BRG-0014	25	HDW-0571	35	HDW-0156		
6	HDW-0347	16	HDW-0515	26	HDW-0048	36	CNT-0041		
7	ORB-0030	17	HDW-0725	27	HDW-0298	37	HDW-0155		

IDLER ASSEMBLIES

RIGID TAP/HIGH TORQUE OPTION



10,000 RPM OPTION



IDLER ASSEMBLIES

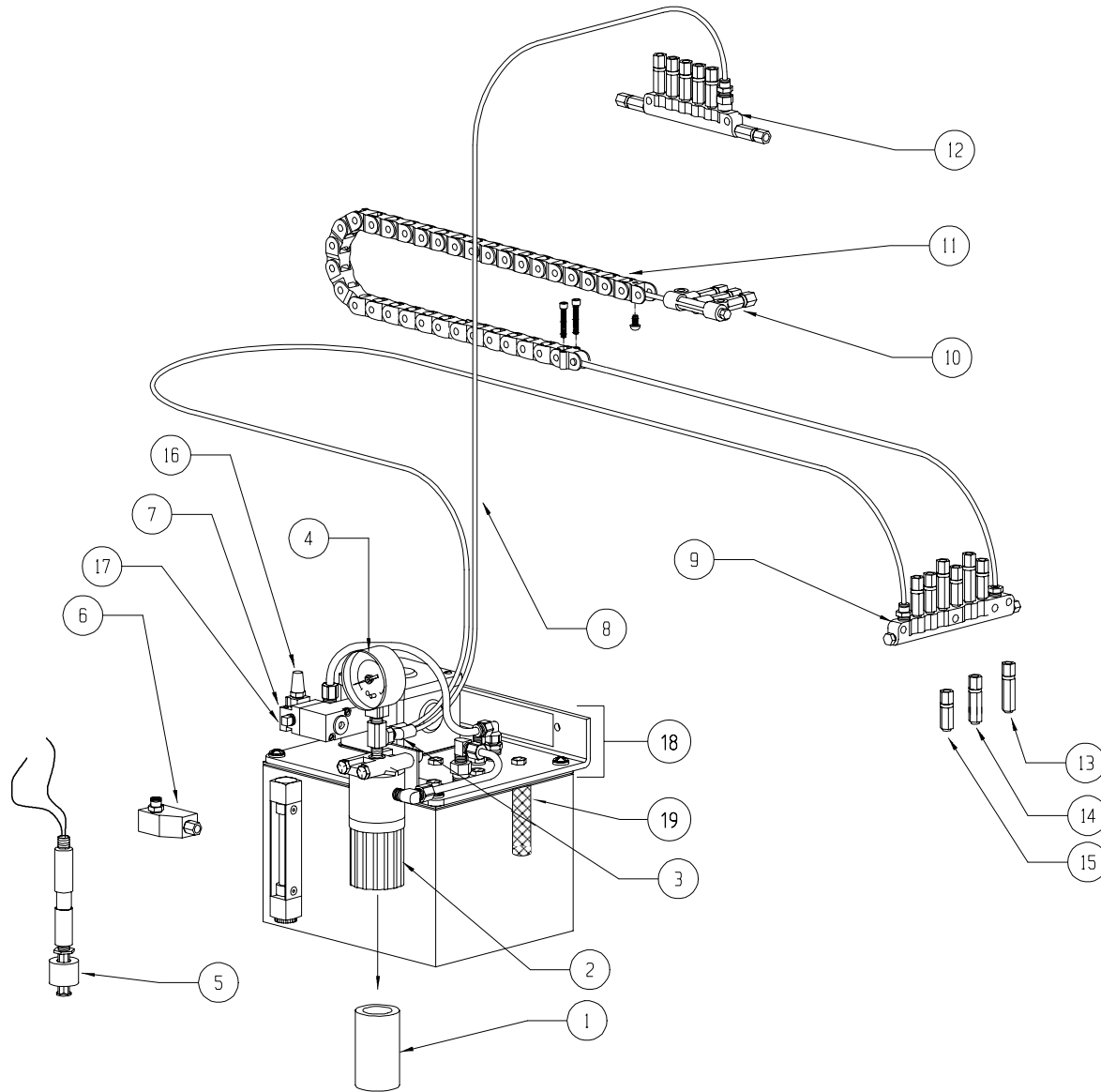
RIGID TAP/HIGH TORQUE OPTION

	PART #		PART #		PART #
1	PLM-0034	10	BRG-0058	21	BRG-0015
2	PLM-0034	11	IDL-0000	22	ELE-0147
3	CYL-0005	12	IDL-0004	23	HDW-0412
4	HDW-0612	13	HDW-0412	24	IDL-0010
5	ELE-0145	14	IDL-0018	25	IDL-0012
5a	ELE-1202	16	HDW-0277		
6	IDL-0011	17	BRG-0058	27	IDL-0009
7	IDL-0006	18	IDL-0005	28	HDW-0579
8	HDW-0196	19	BRG-0017	29	HDW-0643
9	ELE-0147	20	BRG-0016		

10,000 RPM OPTION

	PART #		PART #		PART #
1	PLM-0034	10	IDL-0004	21	BRG-0016
2	CYL-0006	11	IDL-0000	22	HDW-0412
3	ELE-0145	12	HDW-0605	23	IDL-0010
3a	ELE-1202			24	IDL-0012
4	HDW-0612			25	HDW-0579
5	IDL-0011	16	BRG-0058	26	IDL-0008
6	IDL-0006	17	IDL-0005	27	HDW-0643
7	ELE-0147	18	BRG-0017	28	IDL-0018
8	HDW-0196	19	BRG-0016	29	HDW-0277
9	BRG-0058	20	BRG-0015		

WAY LUBE PUMP ASSEMBLY



WAYLUBE PUMP ASSEMBLY

	PART #		PART #		PART #		PART #
1	LUB-0049	7	VLV-0028	13	LUB-0085	19	HDW-1039
2	LUB-0050	8	PLM-0022	14	LUB-0084		
3	PLM-0048	9	LUB-0041	15	LUB-0083		
4	REG-0018	10	LUB-0044	16	PLM-0084		
5	LUB-0036	11	CVR-0041	17	PLM-0036		
6	LUB-0051	12	LUB-0045	18	LUB-0038		



This page intentionally left blank.



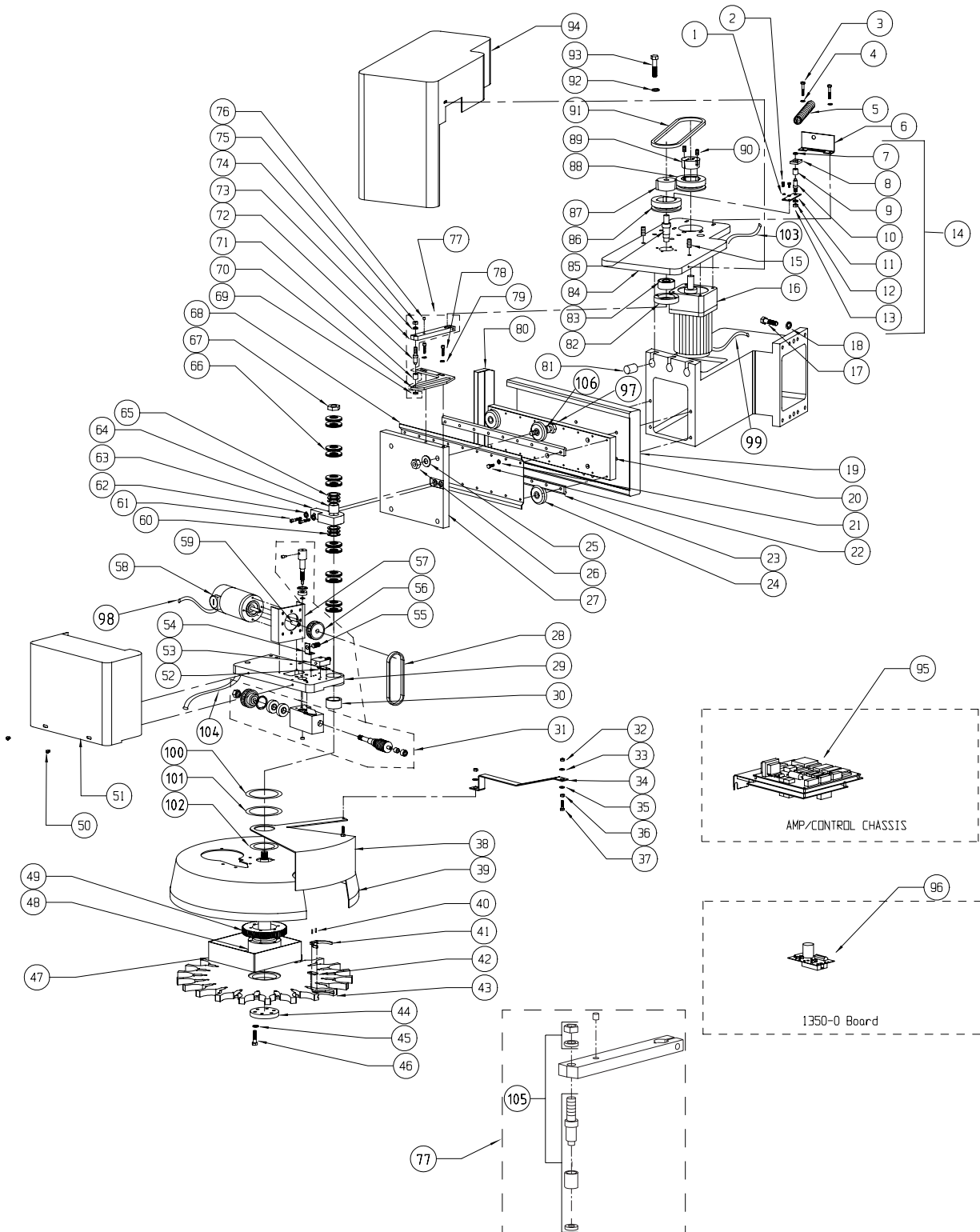
GENEVA DRIVE ATC ASSEMBLY

GENEVA DRIVE ATC ASSEMBLY

	PART #		PART #		PART #		PART #		PART #
1	HDW-0458	21	HDW-0279	41	ATC-0027	61	MTR-0134	82	ATC-0035
2	HDW-0304	22	HDW-0322	42	ATC-0025 (21)	62	HDW-0317	83	BLS-0040
3	HDW-0582	23	BRG-0034		ATC-0026 (30)	63	HDW-0281	84	BRG-0006
4	HDW-0279	24	BRG-0033	43	HDW-0328	64	*	85	ATC-0076
5	HDW-0259	25	HDW-0051	44	ATC-0028 (CAT)	65	BRG-0011	86	PUL-0029
6	STM-0291	26	HDW-0634		ATC-0029 (BT)	66	BRG-0010	87	PUL-0031
7	HDW-0443	27	*	45	ATC-0032	67	HDW-0193	88	PUL-0002
8	ATC-0077	28	BRG-0009	46	ATC-0009 (21)	68	HDW-0637	89	PUL-0003
9	BRG-0013	29	HDW-0771		ATC-0010 (21BT)	69	STM-0062	90	HDW-0400
10	ATC-0078	30	ELE-0385		ATC-0011 (30)	70	HDW-0047	91	BEL-0001
11	STM-0290	31	STM-0615		ATC-0012 (30BT)	71	ATC-0017	92	HDW-0451
12	HDW-0454	32	BRG-0012	47	ATC-0031	72	BRG-0013	93	HDW-0786
13	HDW-0640	33	HDW-0643	48	HDW-0280	73	ATC-0021	94	STM-0302
14	ATC-0013	34	HDW-0443	49	HDW-0313	74	ATC-0020	95	ATC-0059
15	ELE-1202	35	STM-0119	50	ATC-0023	75	HDW-0280	96	HDW-0357 .062
16	MTR-0133	36	HDW-0443	51	ELE-0786	76	HDW-0333		HDW-0358 .005
17	HDW-0310	37	HDW-0336	52	HDW-0583	77	ELE-0147		HDW-0359 .010
18	HDW-0451	38	HDW-0318	53	HDW-0279	78	ATC-0006	97	ATC-0033
19	STM-0061	39	STM-0033 (30)	54	STM-0292	79	HDW-0575	98	WIR-0724
20	ATC-0030		STM-0031 (21)	55	HDW-0347	80	HDW-0387	99	WIR-0723
		40	STM-0032 (30)	56	*	81	STM-0063	100	WIR-0648 ⁽¹⁾
			STM-0030 (21)	57	ELE-0145			101	WIR-0647 ⁽¹⁾
				58	ATC-0074			102	ATC-0169
				59	HDW-0279			103	ATC-0093
				60	HDW-0319 (3)			*	Sold as Assembly
					HDW-0295 (1)				ATC-0004 (21)
									ATC-0005 (30)

⁽¹⁾Quick disconnect type.

SERVO DRIVE ATC ASSEMBLY



SERVO DRIVE ATC ASSEMBLY

SERVO DRIVE ATC ASSEMBLY

	PART #		PART #		PART #		PART #		PART #
1	HDW-0458	21	HDW-0279	41	ATC-0029 (BT)	61	HDW-0317	86	PUL-0029
2	HDW-0304	22	HDW-0322		ATC-0028 (CAT)	62	HDW-0281	87	PUL-0031
3	HDW-0582	23	BRG-0034	42	ATC-0032	63	*	88	PUL-0002
4	HDW-0279	24	BRG-0033	43	ATC-0009 (21)	64	BRG-0011	89	PUL-0003
5	HDW-0259	25	HDW-0051		ATC-0010 (21BT)	65	BRG-0010	90	HDW-0400
6	STM-0291	26	HDW-0634		ATC-0011 (30)	66	HDW-0193	91	BEL-0001
7	HDW-0443	27	*		ATC- 0012 (30)	67	HDW-0637	92	HDW-0451
8	ATC-0077	28	BEL-0018	44	ATC-0031	68	STM-0062	93	HDW-0789
9	BRG-0013	29	*	45	HDW-0280	69	HDW-0047	94	STM-0302
10	ATC-0078	30	BRG-0012	46	HDW-0313	70	ATC-0017	95	PCB-0108
11	STM-0290	31	ATC-0016	47	STM-0144 (21)	71	BRG-0013	96	PCB-0173
12	HDW-0454	32	HDW-0643		ATC-0091 (30)	72	ATC-0021	97	ATC-0033
13	HDW-0640	33	HDW-0443	48	ATC-0027	73	ATC-0020	98	WIR-0724
14	ATC-0013	34	STM-0019	49	ATC-0036 (21)	74	HDW-0280	99	WIR-0723
15	ELE-1202	35	HDW-0443		ATC-0037 (30)	75	HDW-0333	100	HDW-0357 .062
16	MTR-0133	36	HDW-0336	50	HDW-0347	76	ELE-0147	101	HDW-0358 .005
17	HDW-0310	37	HDW-0318	51	STM-0292	77	ATC-0006	102	HDW-0359 .010
18	HDW-0451	38	STM-0033 (30)	52	STM-0615	78	HDW-0575	103	WIR-0647
19	STM-0061		STM-0031 (21)	53	ELE-0385	79	HDW-0387	104	WIR-0649
20	ATC-0030	39	STM-0032 (30)	54	STM-0147	80	STM-0063	105	ATC-0169
			STM-0030 (21)	55	ELE-0145	81	ATC-0035	106	ATC-0093
		40	HDW-0328	56	PUL-0008	82	BLS-0040		
				57	ATC-0088	83	BRG-0006		
				58	MTR-0144	84	ATC-0058 (21)	*	Sold as Assembly
				59	OBSOLETE		ATC-0059 (30)		ATC-0056 (21)
				60	BRG-0009	85	ATC-0076		ATC-0055 (30)

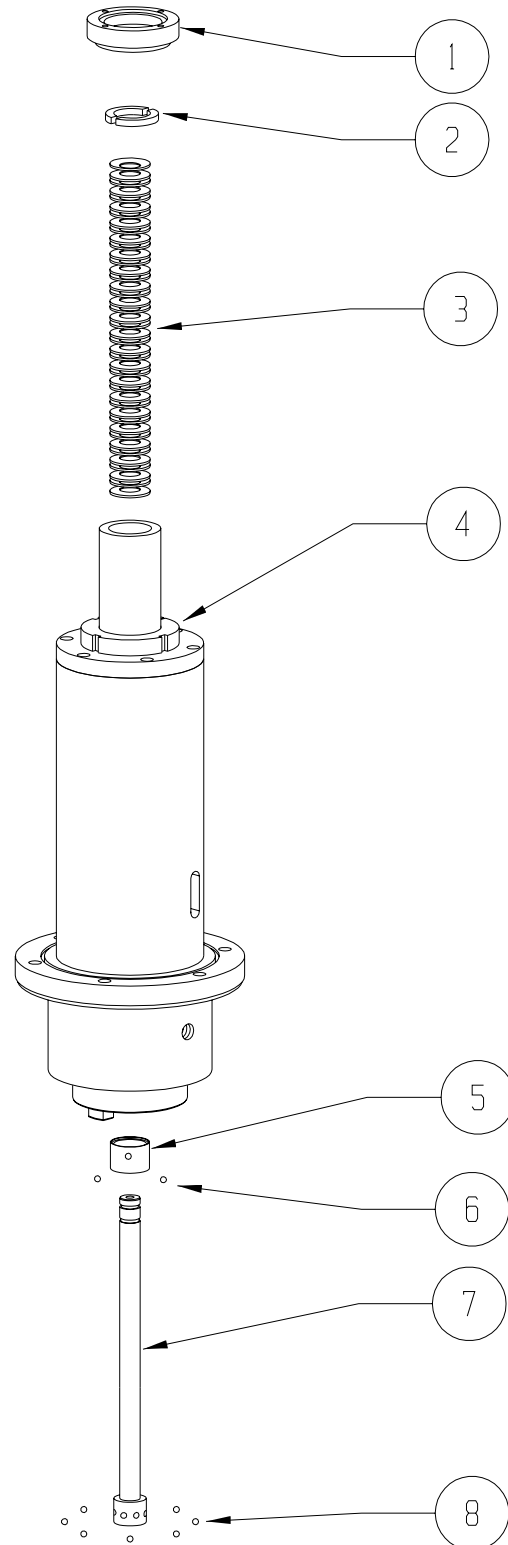
7500 RPM SPINDLE ASSEMBLY

7500 RPM SPINDLE ASSEMBLY

	PART #
1	SPN-0079
2	DRB-0019
3	HDW-0195
4	SPN-0084
5	DRB-0004
6	BRG-0005
7	DRB-0028 ⁽¹⁾
8	BRG-0005
ASSY SPN-0037 ⁽²⁾	

¹Not sold individually. Sold as assembly DRB-0030 (includes DRB-0028 and SPN-0079)

²Assembly includes all parts listed on this page plus PUL-0025



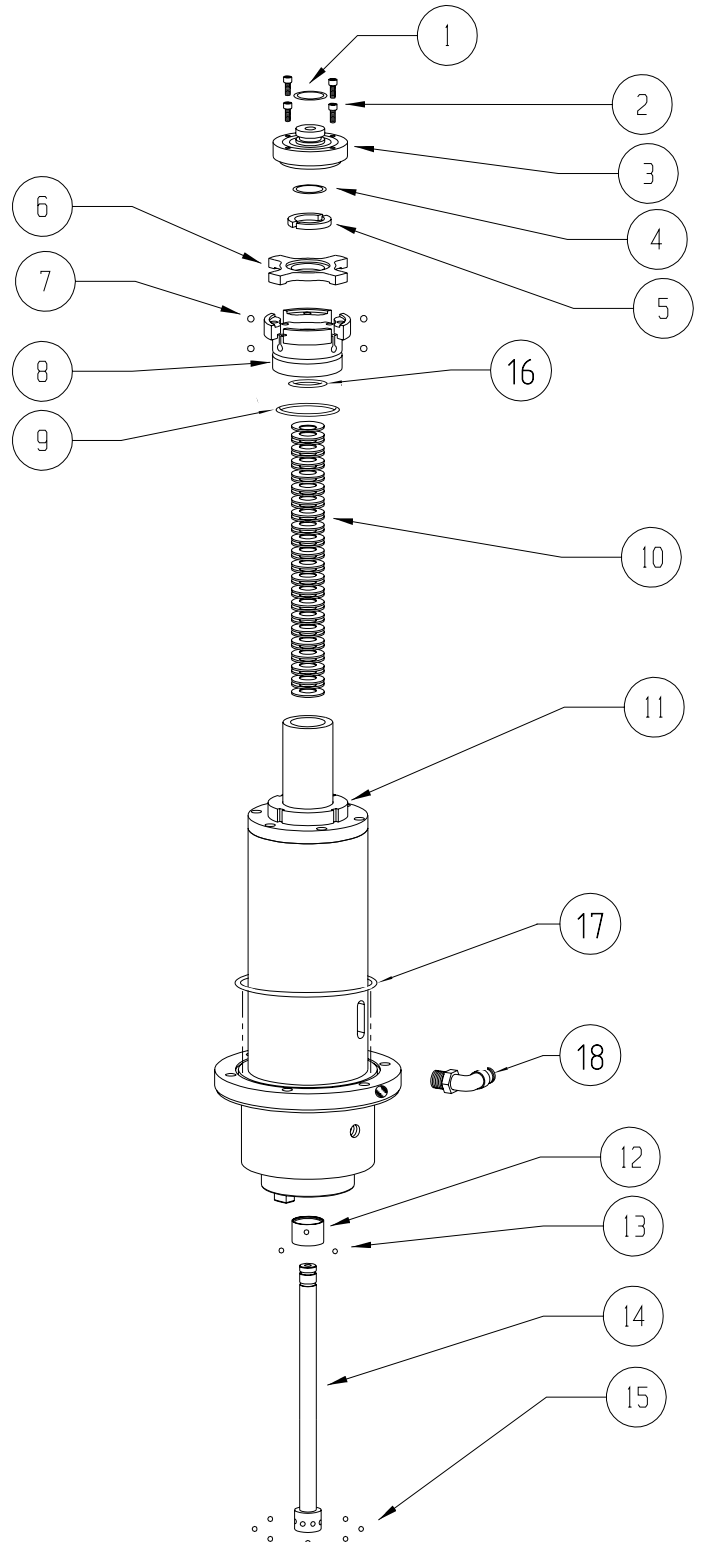
10K RPM SPINDLE ASSEMBLY

10,000 RPM SPINDLE ASSEMBLY

	PART #
1	HDW-0177
2	HDW-0307
3	DRB-0015
4	HDW-0180
5	DRB-0019
6	DRB-0014
7	BRG-0004
8	DRB-0016
9	HDW-0158
10	HDW-0195
11	SPN-0084
12	DRB-0004
13	BRG-0005
14	DRB-0026 ⁽¹⁾
15	BRG-0005
16	HDW-0155
17	HDW-0181
18	PLM-0034
ASSY SPN-0007 ⁽²⁾	

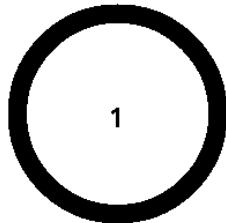
¹Not sold separately. Sold with assembly DRB-0003 (includes pieces 1-9, 14 & 15).

²Assembly includes all parts listed on this page plus PUL-0020.



COOLANT THROUGH SPINDLE

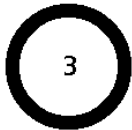
CNT-0015, Coolant-thru Seal Conversion Kit
 CNT-0150, Seal Repair Kit



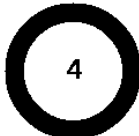
1
HDW-0158



2
HDW-0177



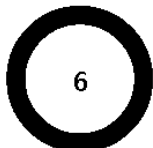
3
HDW-0150



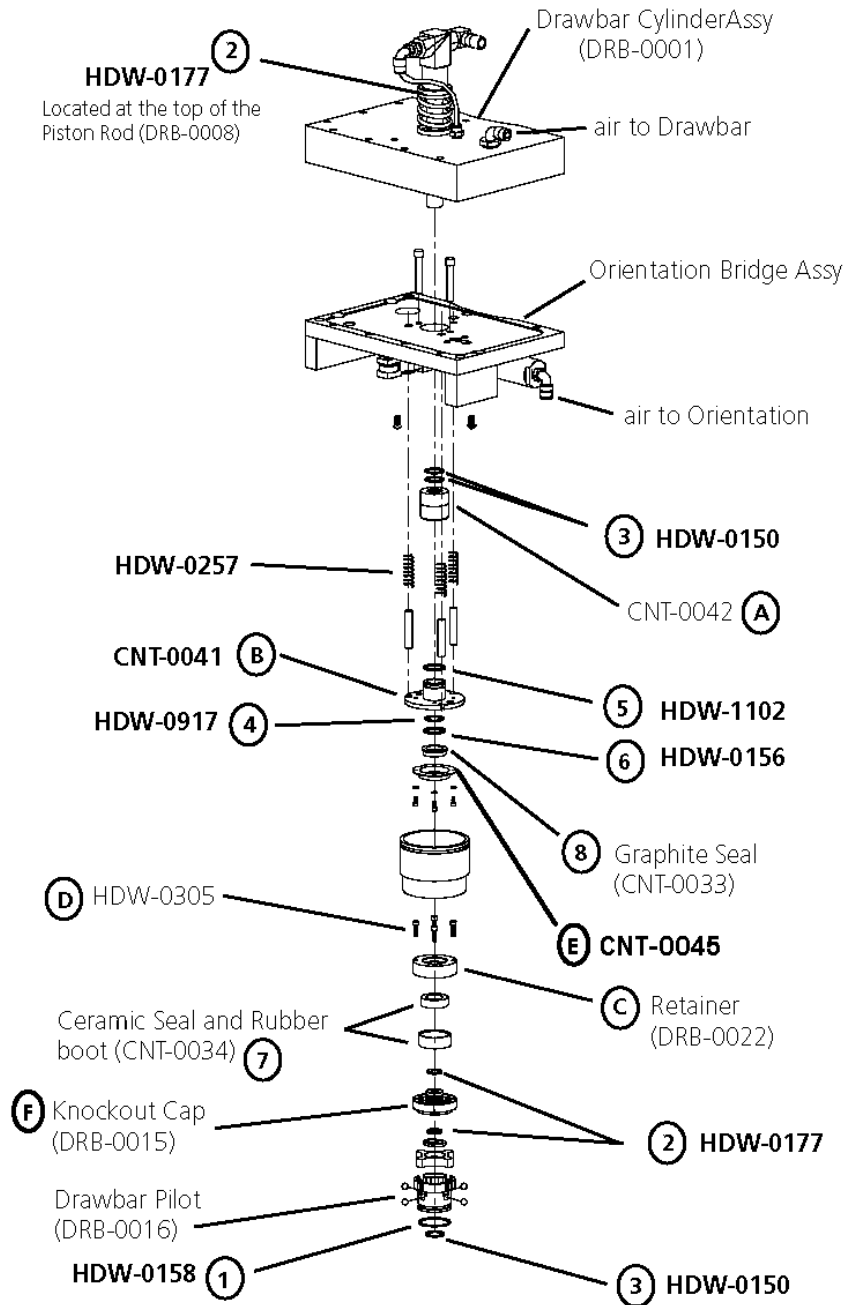
4
HDW-0917



5
HDW-1102

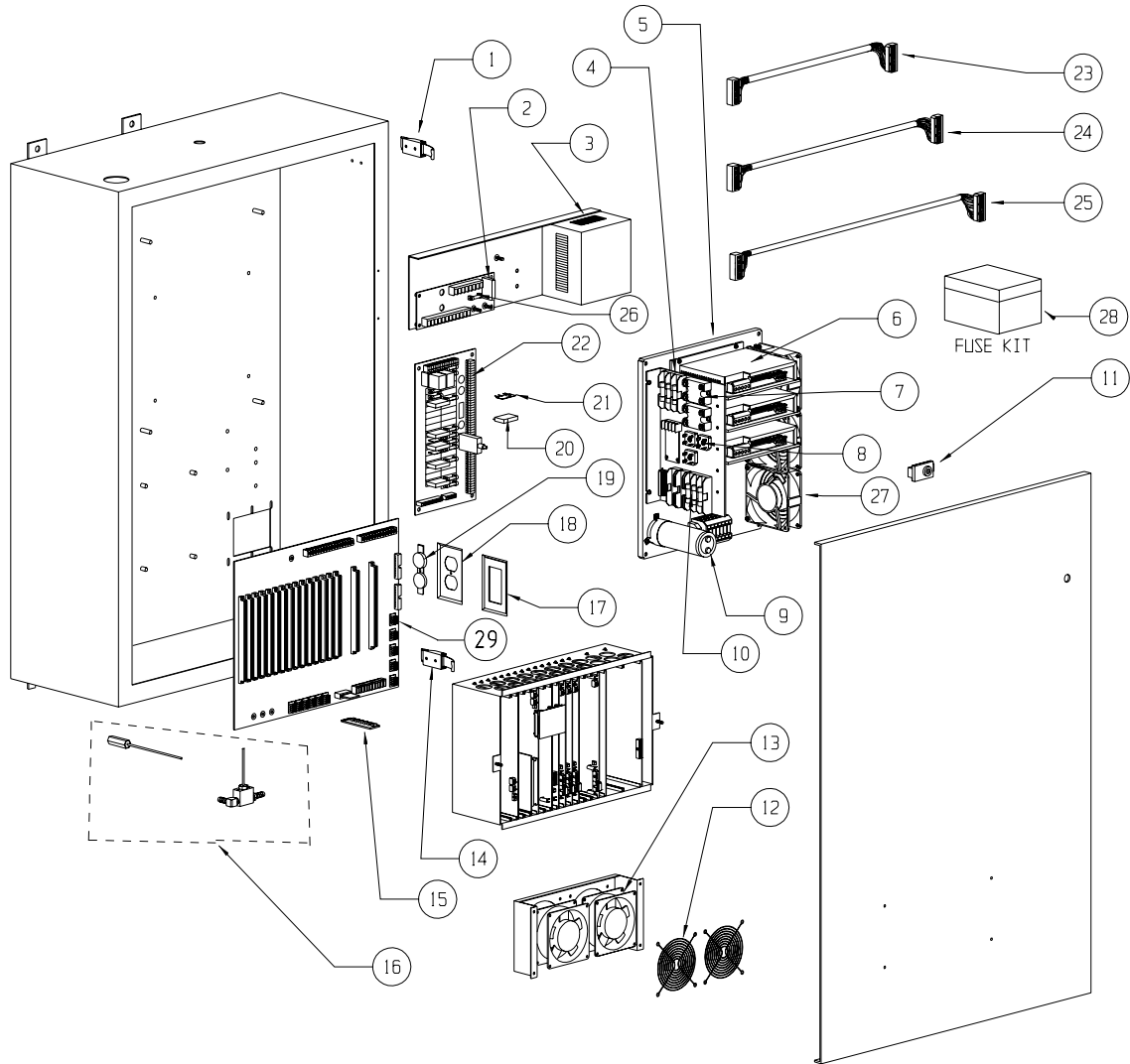


6
HDW-0156



CNT-0150 O-RINGS AND SEALS ONLY (1-8)
 CNT-0015 FOR CONVERTING OLDER MODELS (1-8 AND A-F)

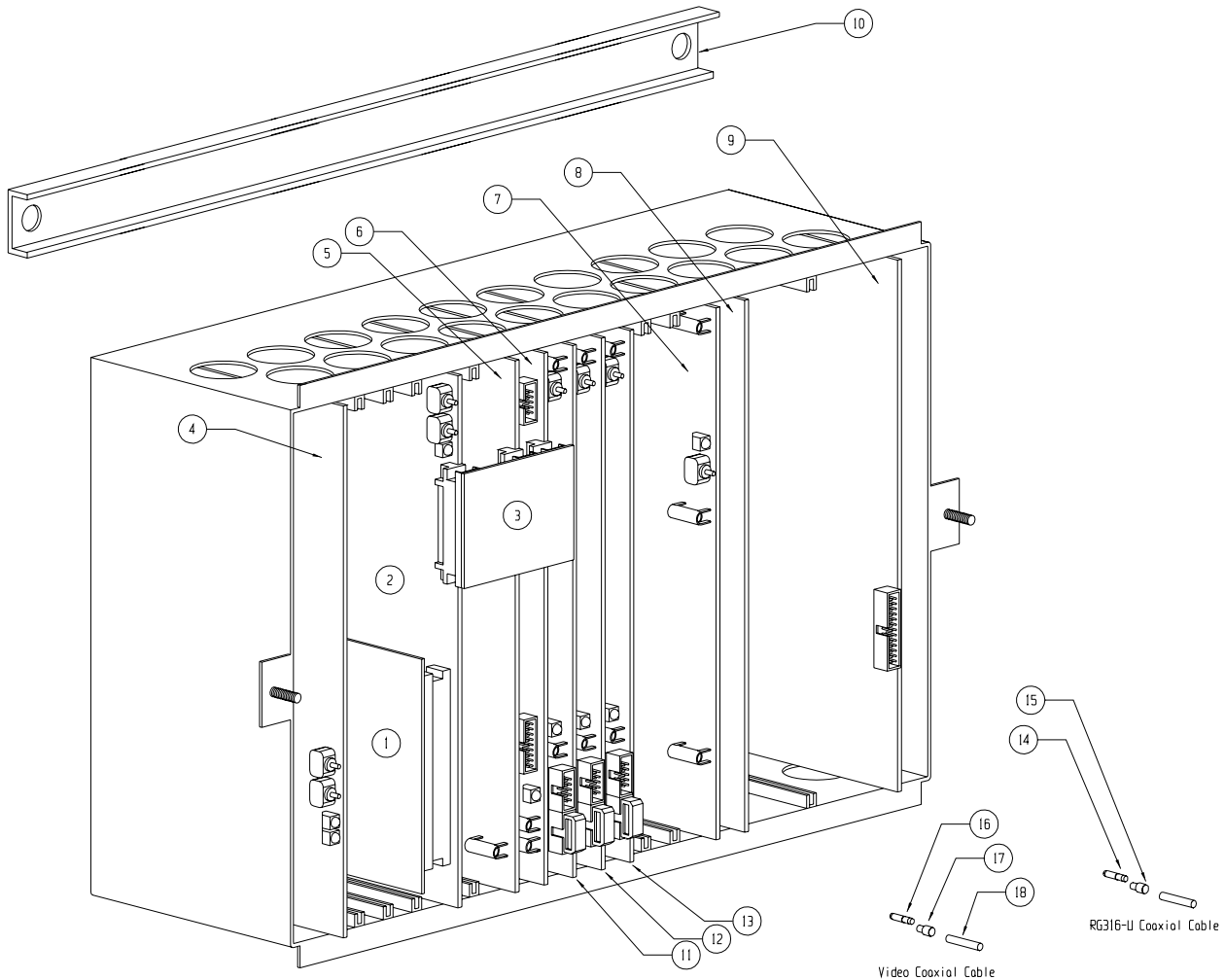
CNC CABINET ASSEMBLY



CNC CABINET ASSEMBLY

	PART #		PART #		PART #		PART #
1	HDW-0220	8	ELE-0828	15	PCB-0010	22	PCB-0194
2	ELE-0071	9	AMP-0036	16	CNT-0022	23	WIR-0161
3	ELE-0961	10	ELE-0840	17	WIR-0120	24	WIR-0163
4	ELE-0837	11	HDW-0221	18	WIR-0120	25	WIR-0174
5	AMP-0005 (GTK)	12	HDW-0850	19	WIR-0121	26	ELE-0046
	AMP-0012 (AMC)	13	ELE-0123	20	ELE-0070	27	ELE-0123
6	AMP-0006 (GTK)	14	HDW-0217	21	ELE-0101	28	ELE-0106
	AMP-0014 (AMC)					29	PCB-0009
7	ELE-0074						

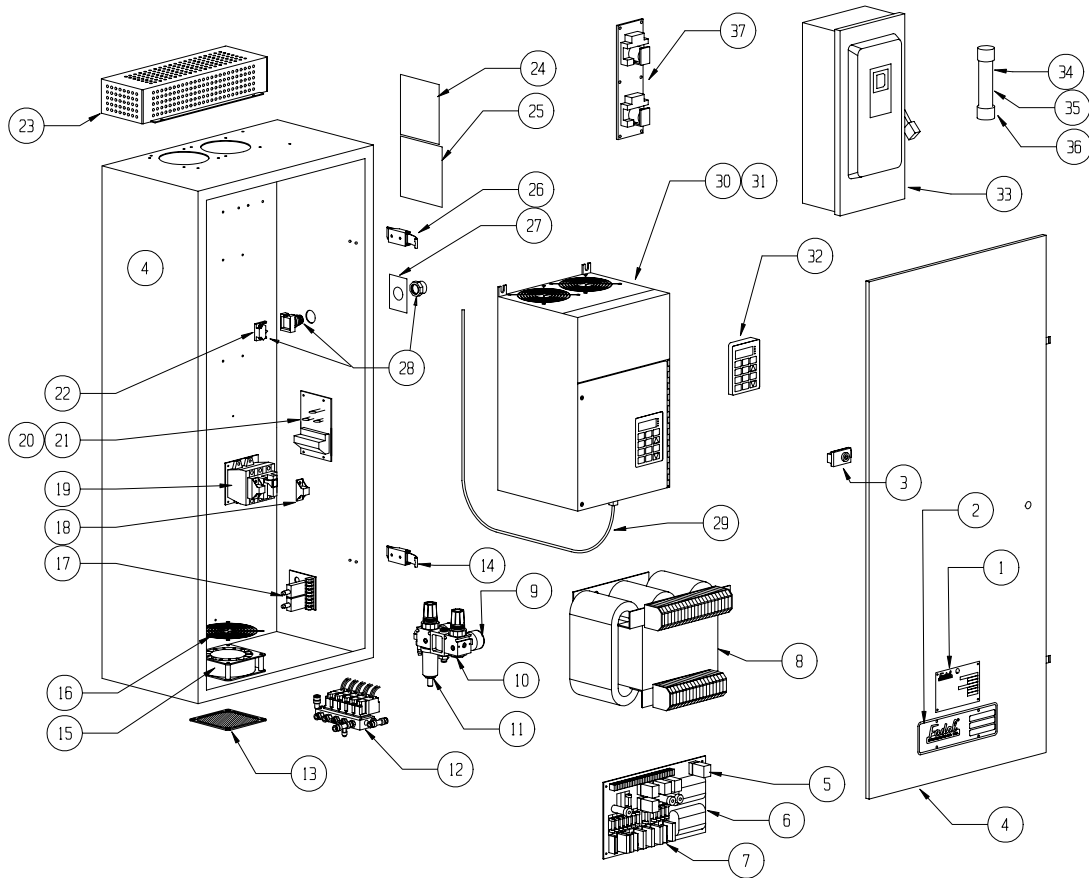
CARD CAGE ASSEMBLY



	PART #		PART #
1	PCB-0094	10	STM-0029
2	PCB-0030	11	PCB-0217
3	PCB-0189	12	PCB-0217
4	PCB-0209	13	PCB-0217
5	PCB-0032 (88HS)	14	WIR-0040
	PCB-0033 (32MP)	15	WIR-0041
6	PCB-0206	16	WIR-0038
7	PCB-0141	17	WIR-0039
8	PCB-0000	18	WIR-0086
9	PCB-0009		

SLOT	PART #	BOARD #	SLOT	PART #	BOARD #
1	PCB-0209	1550-2B	10	PCB-0217	1010-6
2			11	PCB-0217	1010-6
3			12		
4	PCB-0189	1730-5	13		
5	PCB-0030	1400-5	14	PCB-0217	1010-6
6			15	PCB-0000	1020
7	PCB-0032	1420-4	16	PCB-0008	1050-3
8	PCB-0206	1030-1	17	PCB-0005	1040
9	PCB-0217	1010-6			

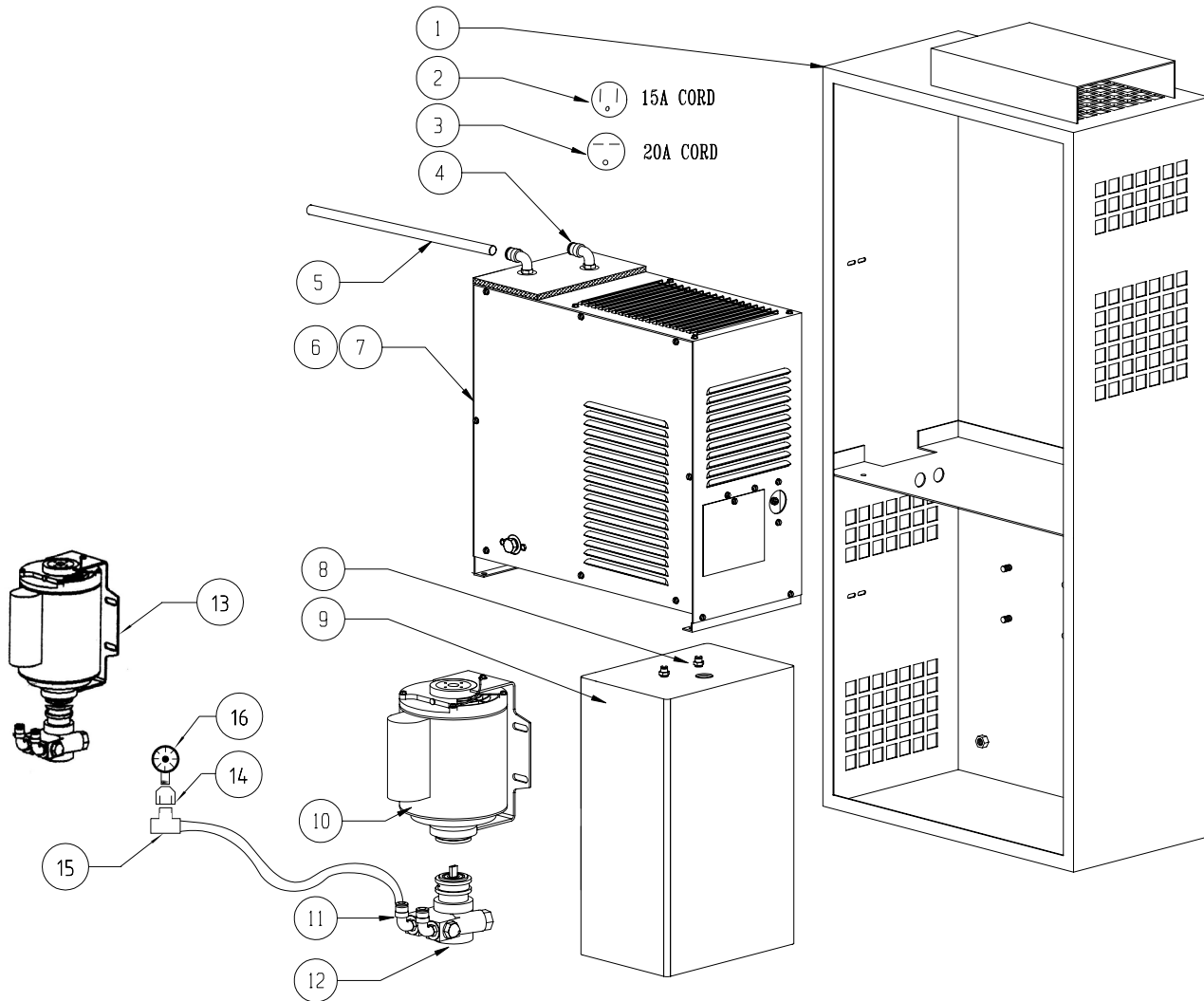
JUNCTION BOX CABINET ASSEMBLY



POWER JUNCTION CABINET ASSEMBLY 7500/10,000 RPM

	PART #		PART #		PART #		PART #
1	LBL-0029	11	REG-0008	21	PCB-0146 (480V)	31	INV-0041
2	LBL-0106	12	VLV-0055 (7.5K)	22	ELE-0093		
			VLV-0054 (10K)			32	INV-0017
3	HDW-0221	13	HDW-0849	23	INV-0001	33	ELE-0139 (60AMP)
4	STM-0051	14	HDW-0216	24	LBL-0037		ELE-0141 (30AMP)
5	ELE-0072	15	ELE-0123	25	LBL-0040	34	ELE-0063 (45A 240V)
6	PCB-0015	16	HDW-0850	26	HDW-0219	35	ELE-0062 (30A 380V)
7	ELE-0070	17	N/A VMC 15/15XT	27	LBL-0038	36	ELE-0060 (20A 480V)
	ELE-0018	18	ELE-0136	28	ELE-0110	37	WIR-0073
	ELE-0019						
9	REG-0005	19	ELE-0132	29	WIR-0166		
10	REG-0009	20	PCB-0145 (240V)	30	INV-0045 (7.5K)		

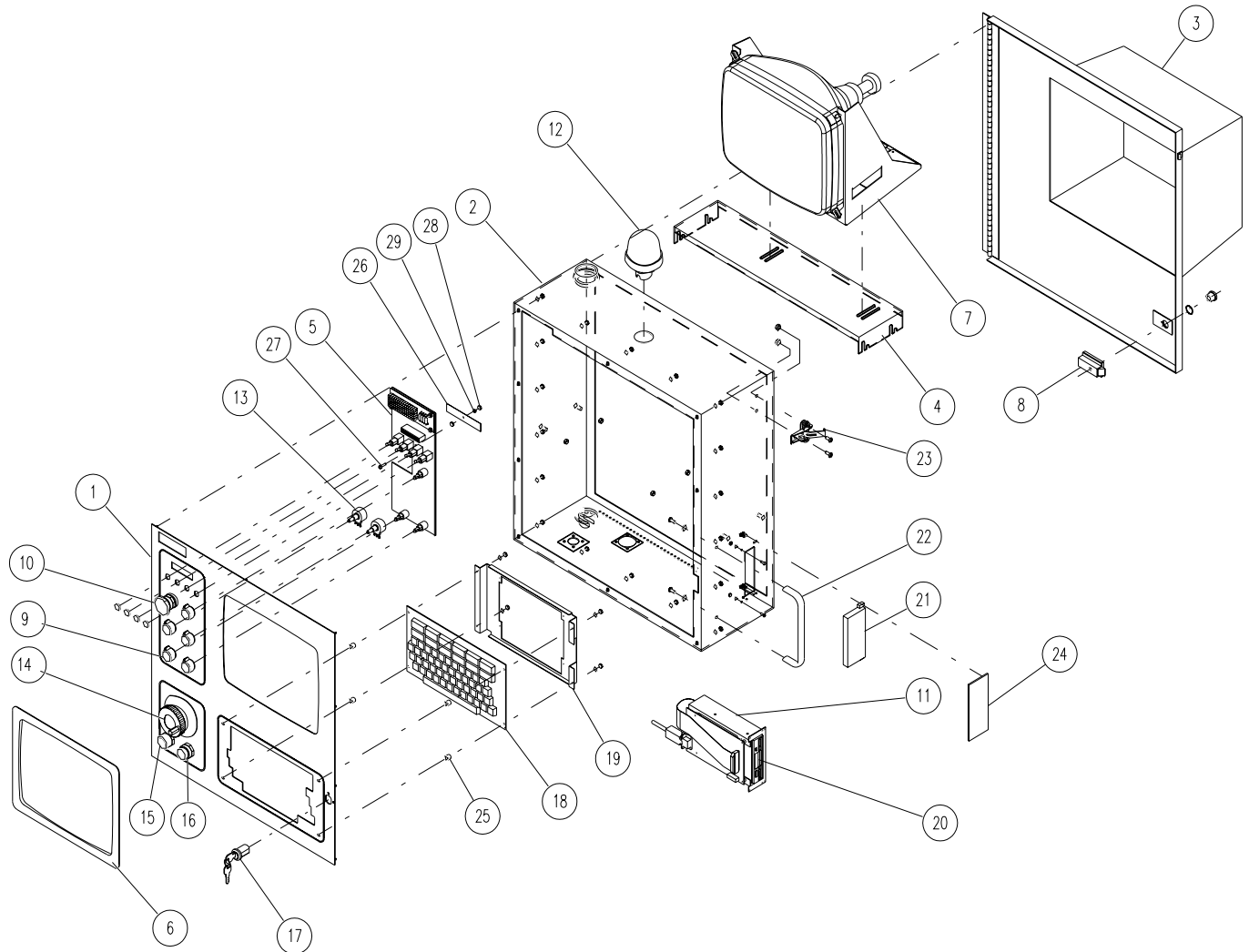
CHILLER CABINET ASSEMBLY



CHILLER CABINET ASSEMBLY

	PART #		PART #
1	STM-0125	9	CNT-0047
2	WIR-0433	10	PMP-0029
3	WIR-0434	11	PLM-0042
4	PLM-0042	12	PMP-0000
5	PLM-0024	13	PMP-0034
6	CNT-0035 (15A)	14	PMP-0199
7	CNT-0144 (20A)	15	PLM-0166
8	PLM-0210	16	REG-0017

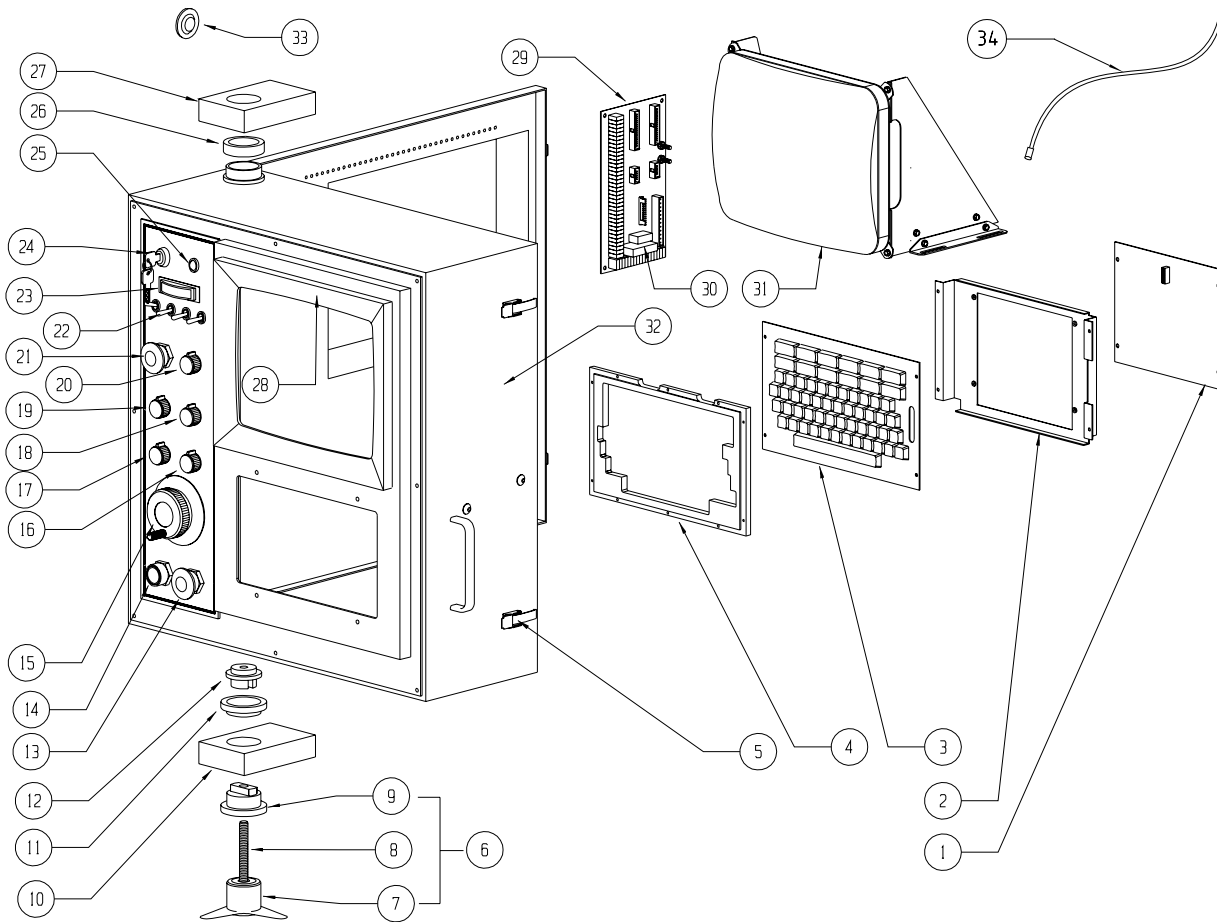
MP PENDANT ASSEMBLY



MP PENDANT ASSEMBLY

	PART #		PART #		PART #		PART #
1	CTR-0134		ELE-0888	15	ELE-0093	24	STM-0547
2	STM-0945 (2 of 4)		ELE-0889	16	ELE-0091	25	HDW-1083
3	STM-0945 (3 of 4)	8	HDW-0221	17	ELE-0096	26	ELE-1184
4	STM-0951	9	HDW-0621	18	ELE-0083	27	HDW-1082
5	PCB-0200	10	ELE-0673	19	STM-0128	28	HDW-1081
6	CTR-0118	11	STM-0470	20	ELE-0913	29	HDW-0456
	CTR-0136	12	ELE-0969	21	CTR-0014		
	CTR-0135	13	ELE-0380	22	HDW-0182		
7	ELE-1072	14	MPG-0020	23	HDW-0925		

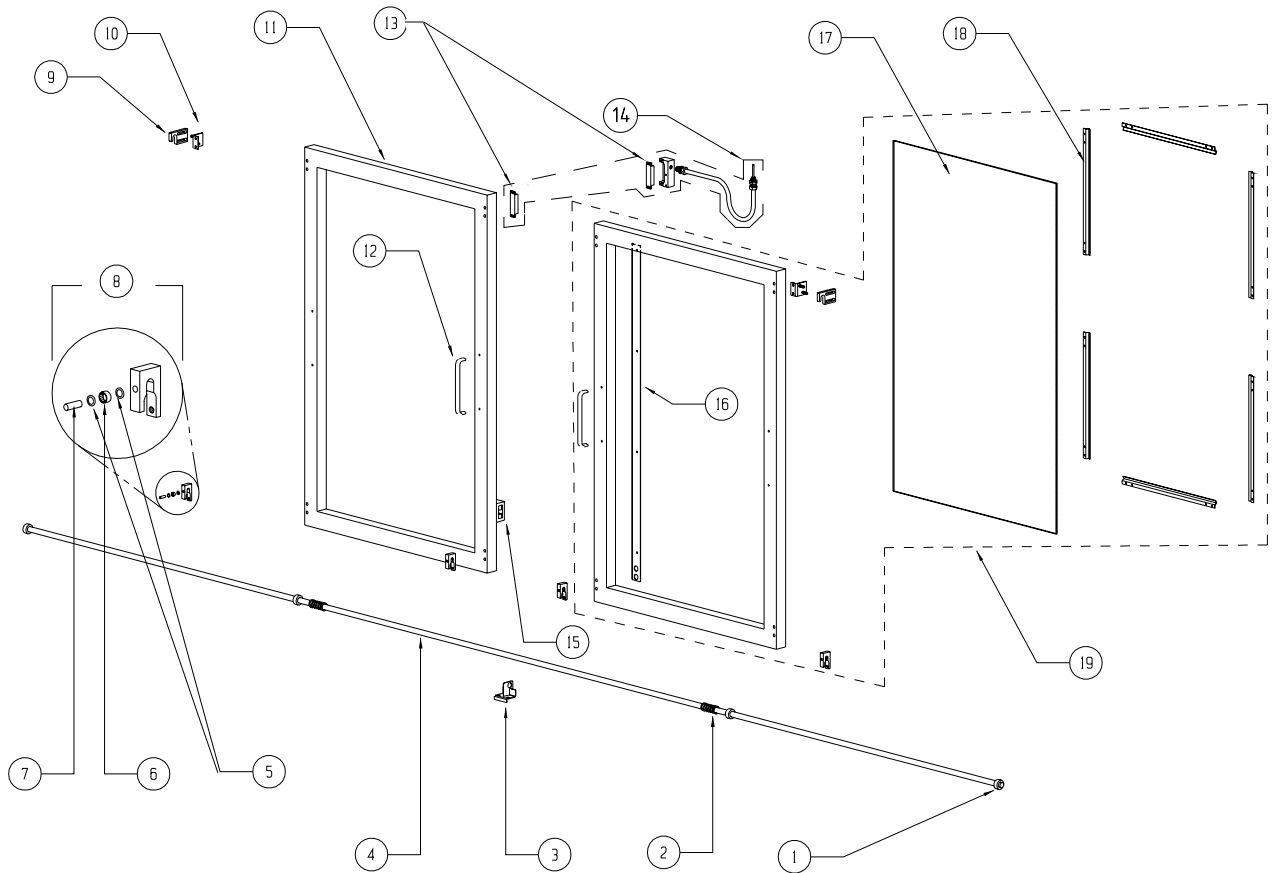
88HS PENDANT ASSEMBLY



88HS PENDANT ASSEMBLY

	PART #		PART #		PART #		PART #
1	PCB-0012	10	CTR-0009	19	ELE-0067	28	HDW-0847
2	STM-0128	11	BRG-0077	20	ELE-0078	29	PCB-0019
3	ELE-0083	12	CTR-0007	21	ELE-0112	30	ELE-0070
4	CTR-0009	13	ELE-0111	22	ELE-0095	31	ELE-0189
5	HDW-0216	14	ELE-0110	23	ELE-0108	32	CTR-0021
6	CTR-0022	15	MPG-0007	24	ELE-0096	33	HDW-0185
7	HDW-0675		MPG-0018	25	ELE-0090	34	WIR-0086
8	CTR-0018	16	ELE-0078	26	HDW-0724		
9	CTR-0008	17	ELE-0081	27	CTR-0006		
		18	ELE-0068				

FRONT DOOR ASSEMBLY



FRONT DOOR ASSEMBLY

	PART #		PART #		PART #
1	HDW-0215	8	DOR-0015	15	DOR-0035 ⁽³⁾
2	HDW-0264	9	DOR-0001		HDW-0863 ⁽⁴⁾
3	DOR-0019	10	DOR-0000	16	STM-0083
4	DOR-0023	11	DOR-0002	17	DOR-0007
5	HDW-0149	12	HDW-0182	18	STM-0084
6	BRG-0014	13	ELE-0810 ⁽¹⁾	19	DOR-0076
7	HDW-0327	14	WIR-0069 ⁽²⁾		

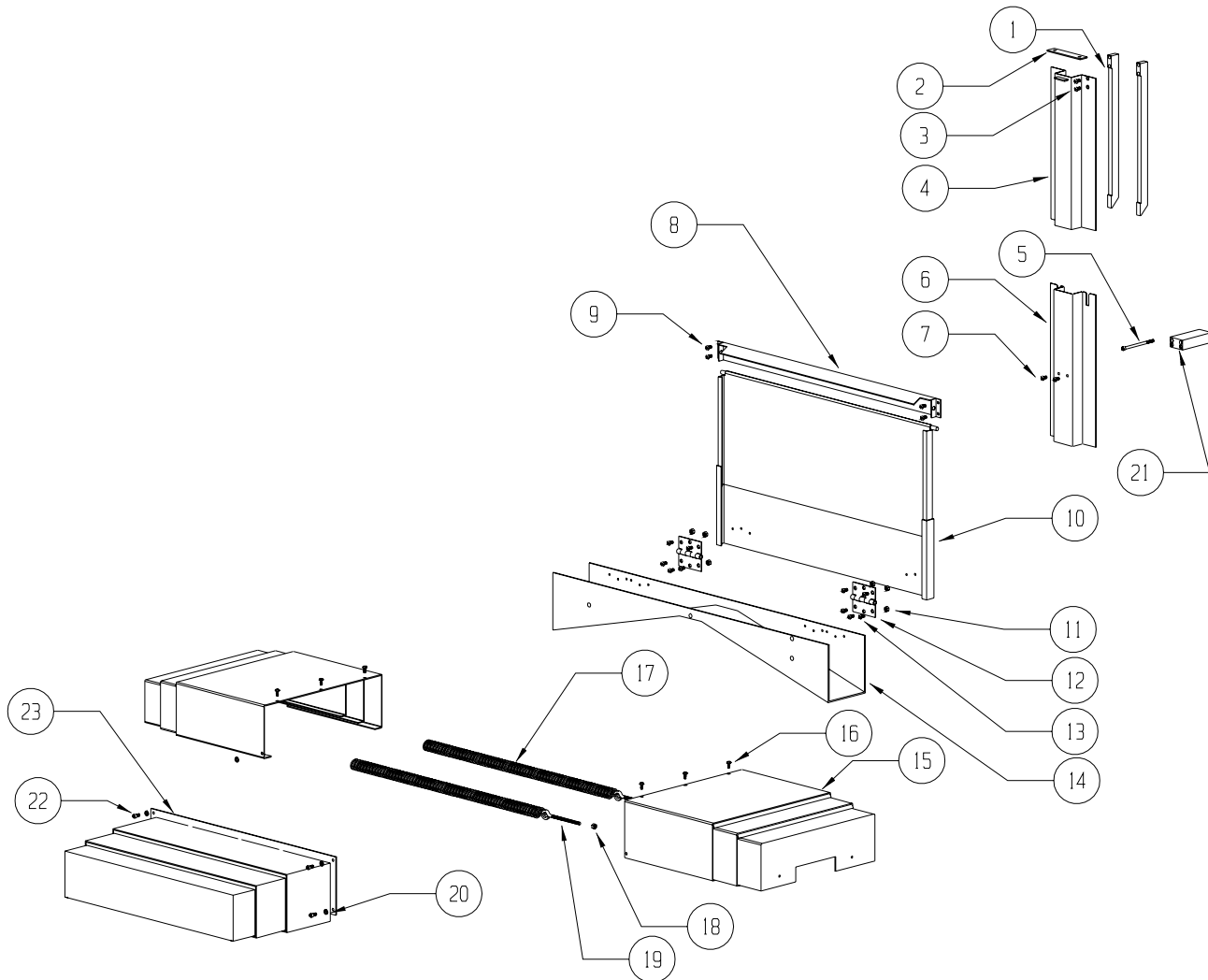
¹Set of two sensors

²Includes set of two sensors and one block cable

³Complete assembly

⁴Latch only

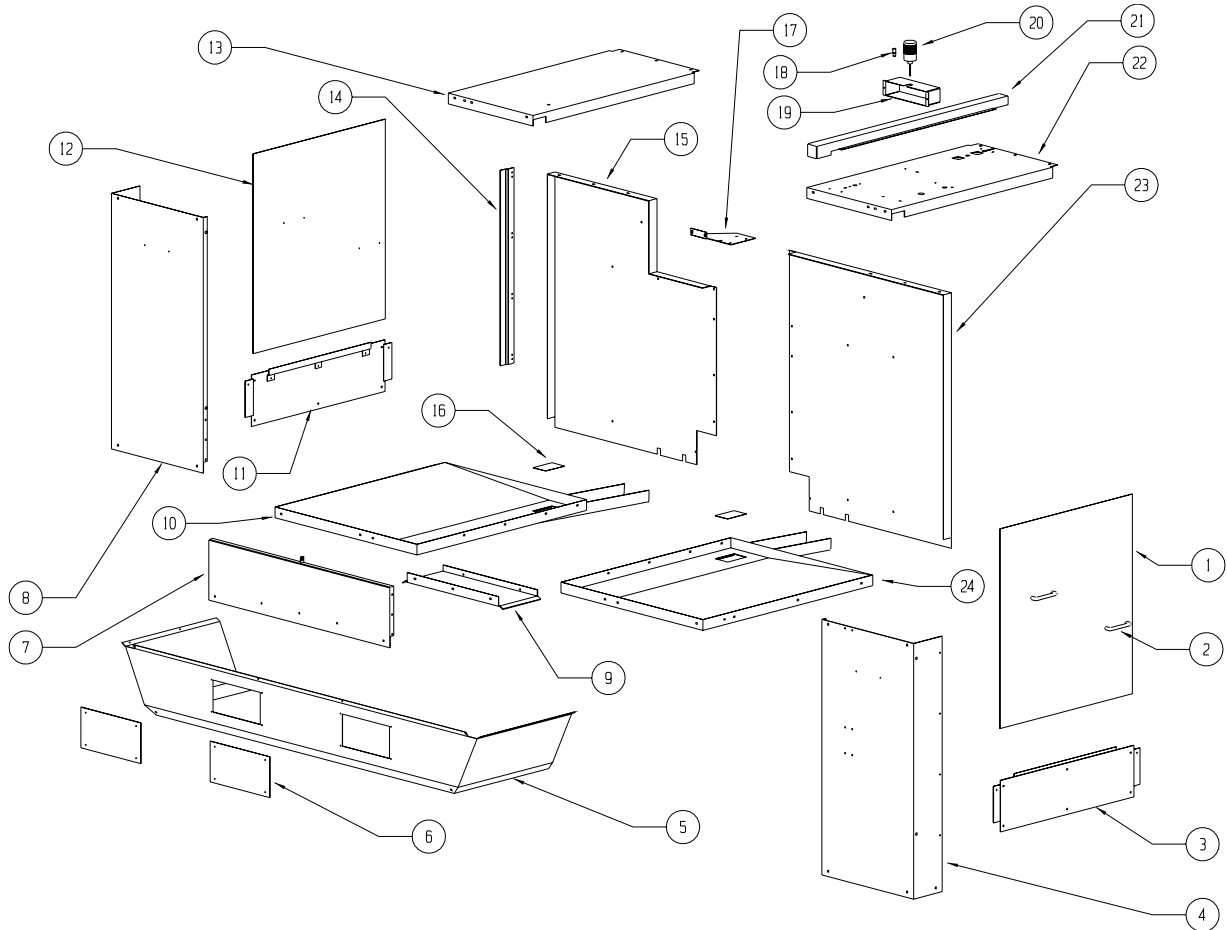
WAY COVER ASSEMBLY



WAY COVER ASSEMBLY

	PART #		PART #		PART #
1	CVR-0031	10	CVR-0042	19	HDW-0016
2	CVR-0030	11	HDW-0337	20	HDW-0279
3	HDW-0324	12	HDW-0192	21	CVR-0036
4	CVR-0034	13	HDW-0346	22	HDW-0281
5	HDW-0490	14	STM-0305	23	CVR-0093
6	CVR-0035	15	CVR-0066		
7	HDW-0603	16	HDW-0346		
8	STM-0164	17	HDW-0261		
9	HDW-0346	18	HDW-0336		

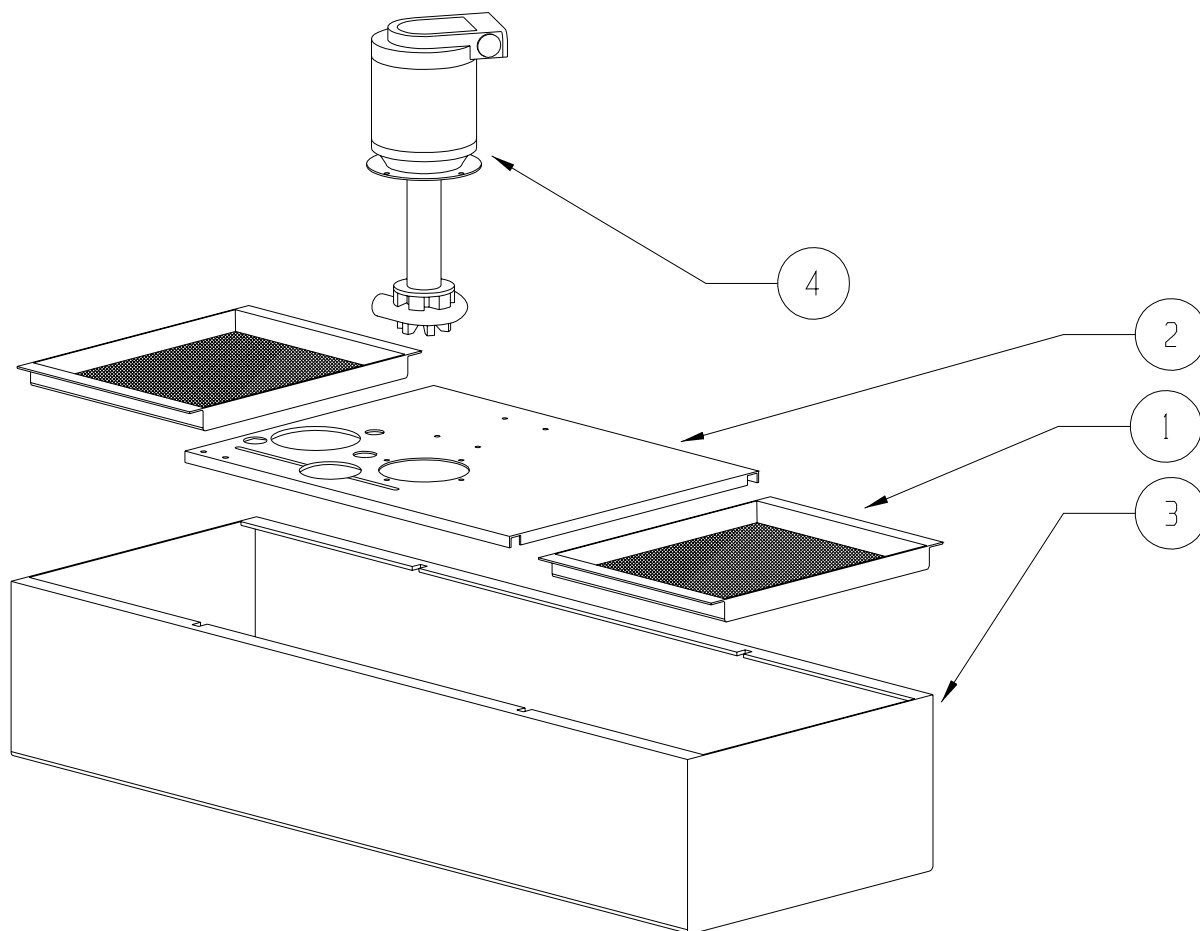
SHEETMETAL HOUSING



SHEETMETAL HOUSING

	PART #		PART #		PART #
1	STM-0243	9	STM-0108	17	
2	HDW-0182	10	STM-0076	18	ELE-0122
3	STM-0242	11	STM-0242	19	STM-0342
4	STM-0247	12	STM-0243	20	ELE-0121
5	STM-0239	13	STM-0263	21	STM-0086
6	STM-0228	14	STM-0244	22	STM-0262
7	STM-0079	15	STM-0351	23	STM-0352
8	STM-0247	16	STM-0110	24	STM-0076

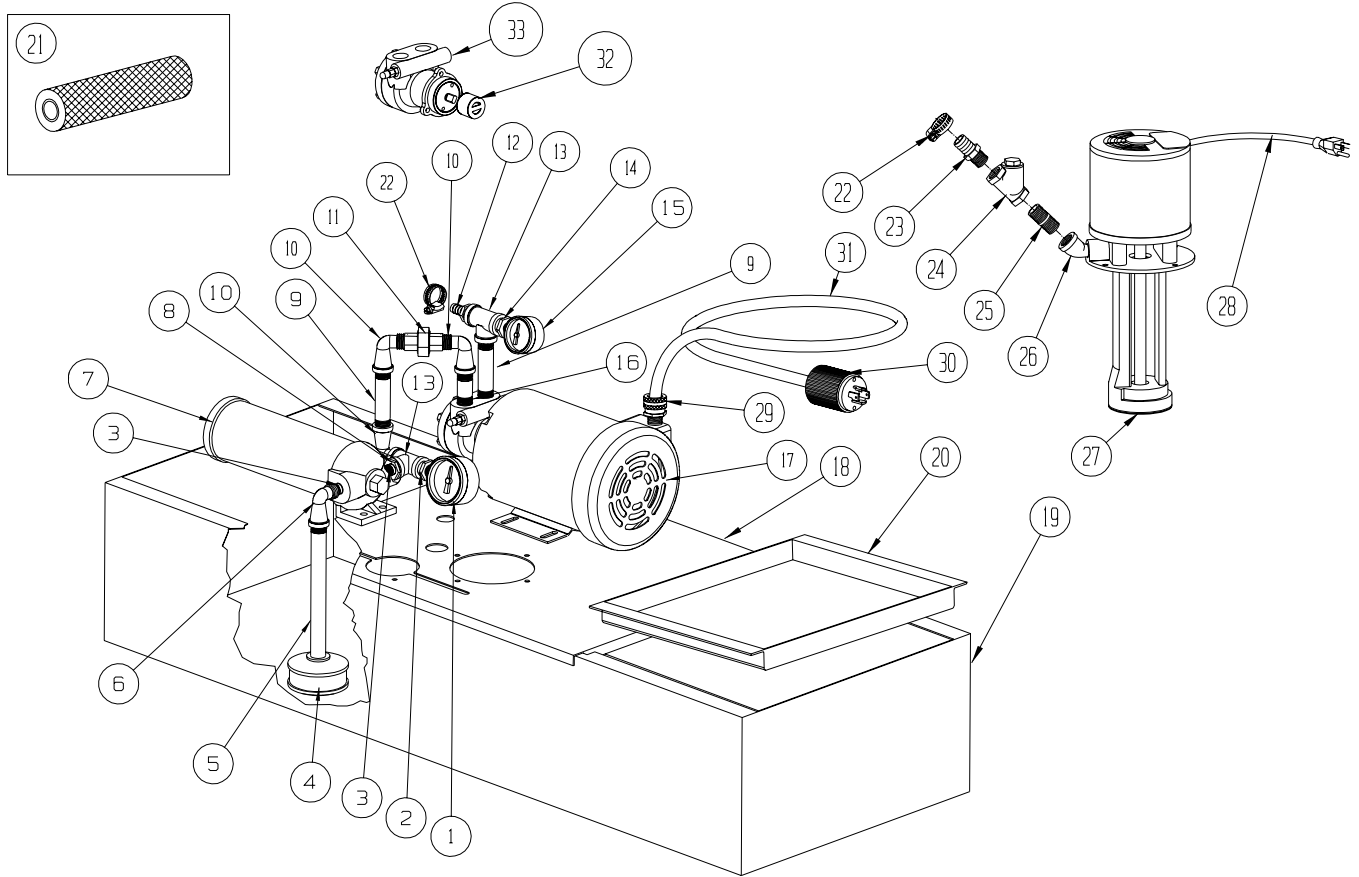
7500 RPM COOLANT TANK



7500 RPM COOLANT TANK

	PART #
1	STM-0116
2	STM-0594
3	STM-0287
4	PMP-0017

10K RPM COOLANT TANK



10,000 RPM COOLANT TANK

	PART #		PART #		PART #
1	STM-0287	5	WIR-0096	9	HDW-0252
2	STM-0116	6	PLM-0092	10	PLM-0043
3	STM-0594	7	VLV-0018	11	PLM-0023
4	PMP-0017	8	PLM-0067	12	CNT-0026