

TABLE OF CONTENTS

Parts Manual VMC 6535 MODEL



COLUMN ASSEMBLY	3
COLUMN ASSEMBLY PART NUMBERS	5
BASE ASSEMBLY	6
BASE ASSEMBLY PART NUMBERS	7
SADDLE ASSEMBLY	8
SADDLE ASSEMBLY PART NUMBERS	11
HEAD COVER / CHIP CONVEYOR	12
SHEET METAL LEFT 50T	13
SHEET METAL RIGHT 50T	14
SHEET METAL LEFT 40T	15
SHEET METAL RIGHT 40T	16
SHEET METAL LEFT 50T CHAIN HOIST	17
SHEET METAL RIGHT 50T CHAIN HOIST	18
SHEET METAL 40T CHAIN HOIST	19
SHEET METAL RIGHT 40T CHAIN HOIST	20
10K IDLER ASSEMBLY	21
MULTI PROCESSOR PENDANT	22
MULTI PROCESSOR PENDANT PART NUMBERS	23
LEFT CABINET ASSEMBLY	24
RIGHT CABINET ASSEMBLY	25
LEFT & RIGHT CABINET ASSEMBLY PART NUMBERS	26
10K HEAD ASSEMBLY	27
10K HEAD ASSEMBLY PART NUMBERS	28
10K DRAWBAR ASSEMBLY	29
10K DRAWBAR ASSEMBLY PART NUMBERS	30
ORIENTATION BRIDGE ASSEMBLY	31
ORIENTATION BRIDGE ASSEMBLY PART NUMBERS	32
WAY LUBE ASSEMBLY	33
WAY LUBE ASSEMBLY PART NUMBERS	34
7500 RPM SPINDLE	35
10,000 RPM SPINDLE	36
COOLANT THROUGH SPINDLE	37
DUAL ARM TOOL CHANGER	38
COOLANT TANK ASSEMBLY	39
COOLANT TANK ASSEMBLY PART NUMBERS	40
CARD CAGE ASSEMBLY	41
CARD CAGE ASSEMBLY PART NUMBERS/SLOTS & BOARDS	42
CNC CABINET ASSEMBLY	43
CNC CABINET PART NUMBERS	44
CE CNC CABINET ASSEMBLY	45
CE CNC CABINET PART NUMBERS	46
JUNCTION BOX ASSEMBLY	47
JUNCTION BOX PART NUMBERS	48



This reference covers the following Fadal products:

Model VMC 6535

Corporate Officevoice (818) 407-1400 fax (818) 407-0020
Service / Partsvoice (818) 727-2100 fax (818) 407-1004
Programming Supportvoice (818) 727-2100 fax (818) 407-0061

support@fadal.com

20701 Plummer Street Chatsworth California 91311 U.S.A.

The content of this manual has been reviewed for accuracy and is applicable to current Fadal hardware and software products as described herein. Differences may exist and we cannot guarantee that they are completely covered in this document. The information in this document is reviewed regularly and any necessary changes will be incorporated in the next revision. We welcome any suggestions for improvement.

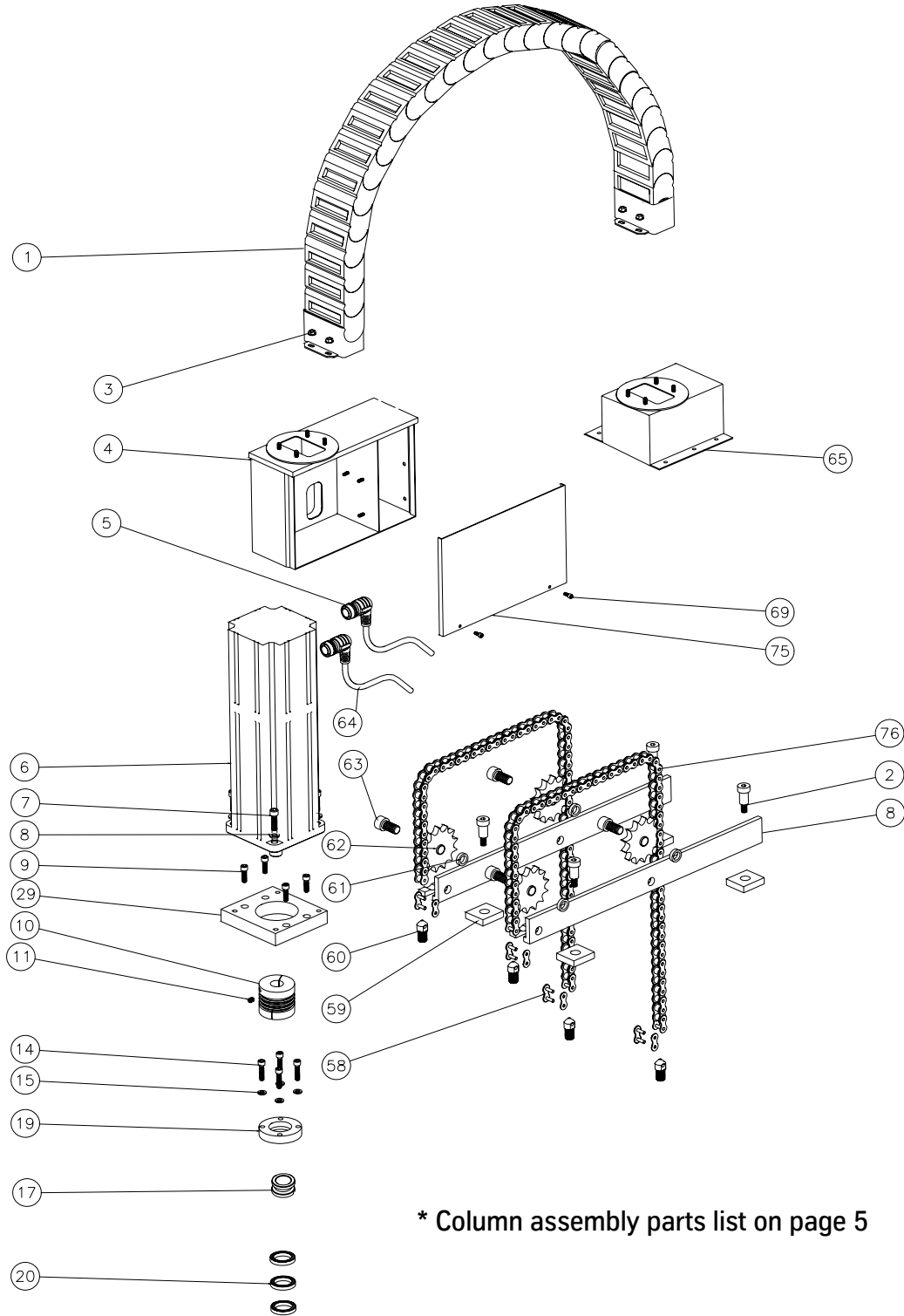
Material is subject to change without notice.

This manual is for the exclusive use of Fadal Customers and Distributors. The reproduction, transmission or use of this document or its contents is not permitted without the expressed written permission of Fadal Machining Centers. All rights, including rights created by patent grant or registration of a utility, model or design, are reserved.

© Copyright 2002 Fadal Machining Centers.

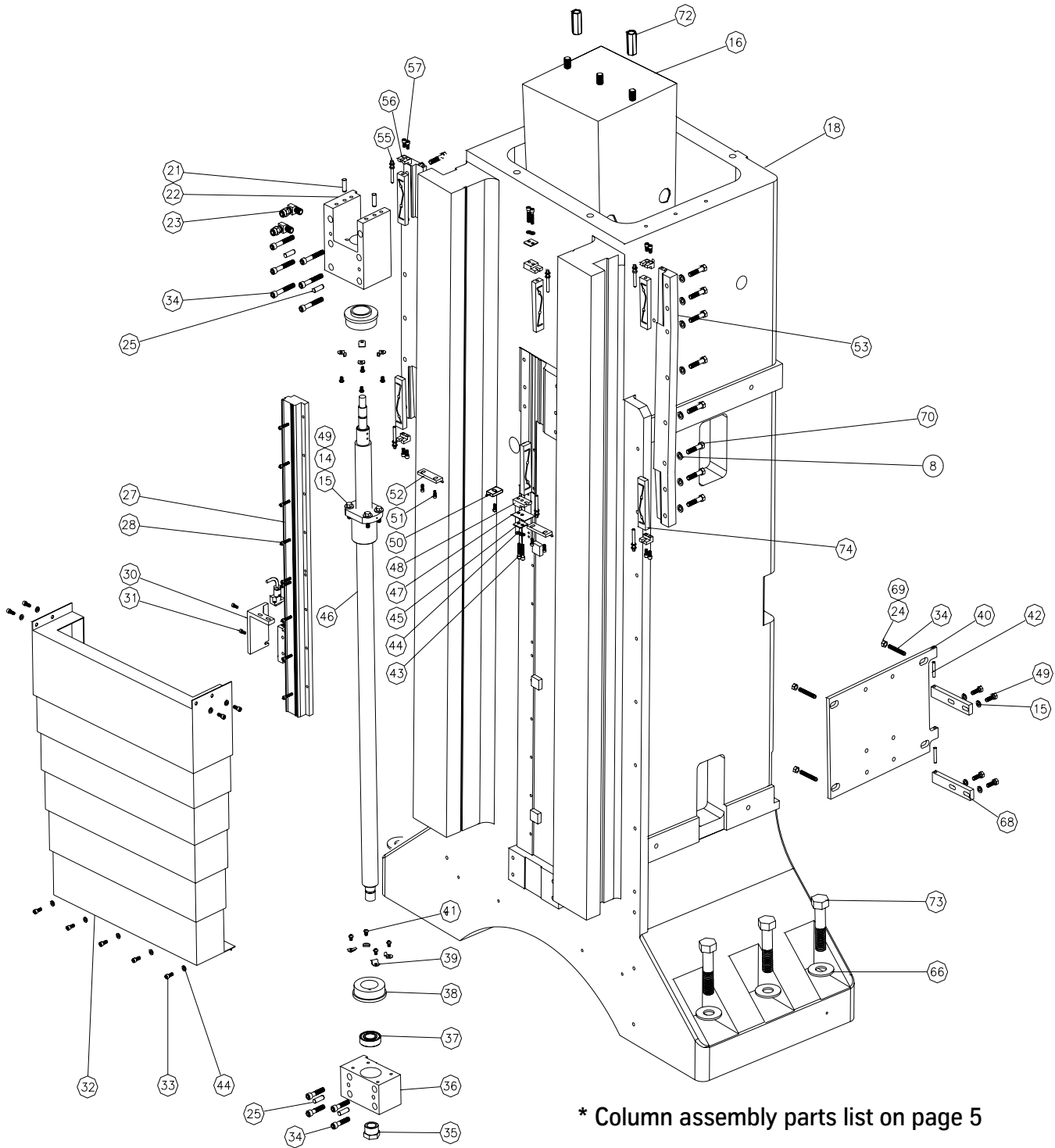
This page intentionally left blank.

COLUMN ASSEMBLY



* Column assembly parts list on page 5

COLUMN ASSEMBLY



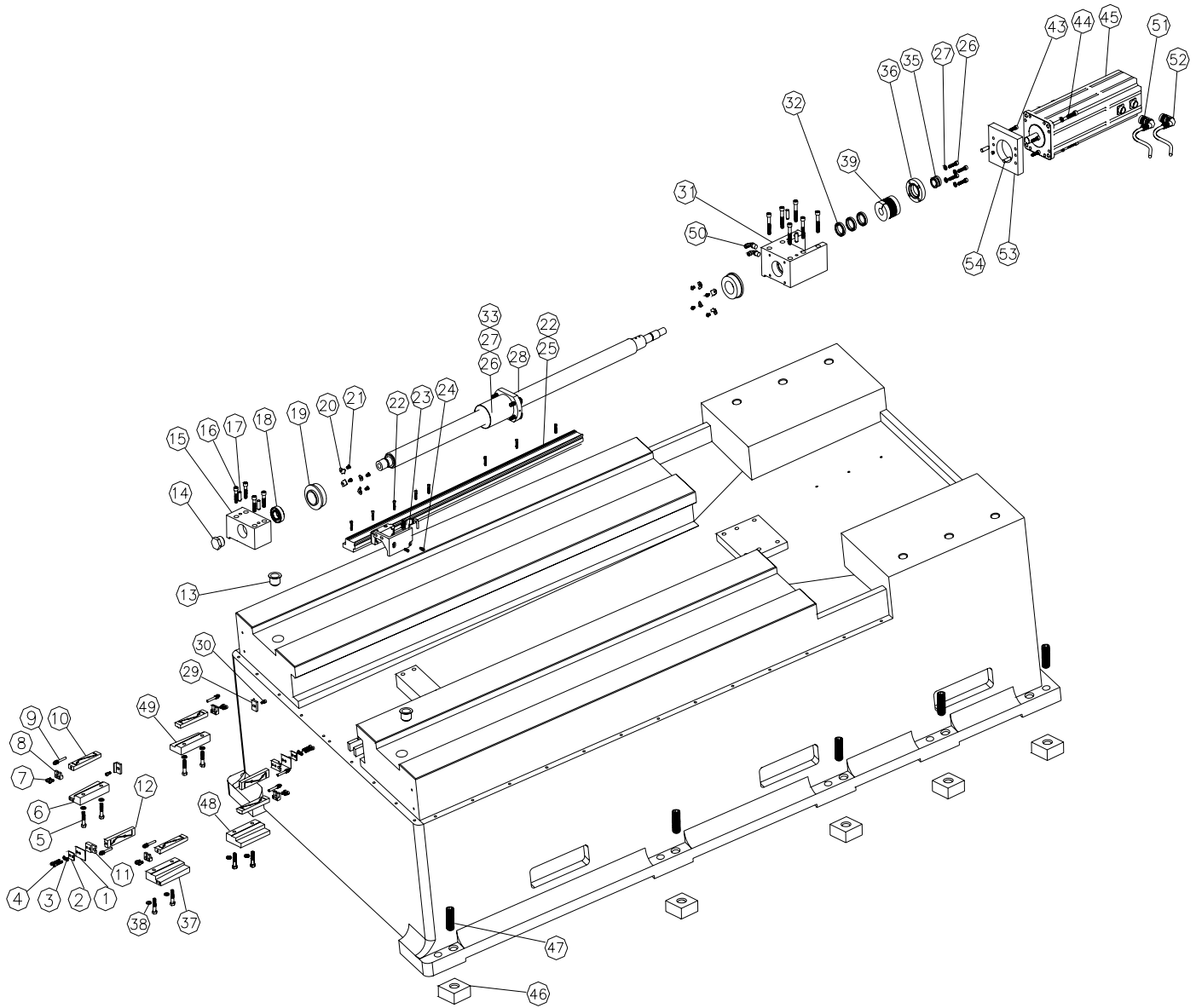
* Column assembly parts list on page 5

COLUMN ASSEMBLY

COLUMN ASSEMBLY

	PART #		PART #		PART #		PART #
1	CVR-0203	26		51	HDW-1045	76	CWT-0028
2	HDW-0600	27	SCL-0125	52	CVR-0196		
3	HDW-0337	28	HDW-0797	53	GIB-0043		
4	STM-1341	29	BLS-0291	54			
5	WIR-0803	30	SCL-0126	55	GIB-0013		
6	MTR-0188	31	HDW-0090	56	GIB-0012		
7	HDW-1131	32	CVR-0185	57	HDW-0295		
8	CWT-0033	33	HDW-0581	58	CWT-0027		
9	HDW-0025	34	HDW-1198	59	HDW-0363		
10	MTR-0192	35	BLS-0049	60	CWT-0031		
11	HDW-0419	36	BLS-0288	61	CWT-0032		
12	MTR-0156	37	BRG-0159	62	PUL-0074		
13	MTR-0157	38	BLS-0271	63	HDW-1121		
14	HDW-0484	39	STM-0905	64	WIR-0804		
15	HDW-0397	40	STM-0705	65	STM-1340		
16	CWT-0025	41	HDW-0347	66	HDW-1010		
17	BLS-0284	42	HDW-0801	67	STM-0333		
18	COL-0040	43	HDW-0294	68	HDW-0931		
19	BRG-0156	44	HDW-0279	69	HDW-0633		
20	HDW-1124	45	STM-0042	70	HDW-0731		
21	HDW-0801	46	BLS-0286	71	HDW-0451		
22	BLS-0290	47	HDW-0355	72	CWT-0026		
23	PLM-0112	48	GIB-0010	73	HDW-1009		
24	HDW-0640	49	HDW-0314	74	GIB-0036		
25	HDW-0330	50	CVR-0208	75	STM-0300		

BASE ASSEMBLY

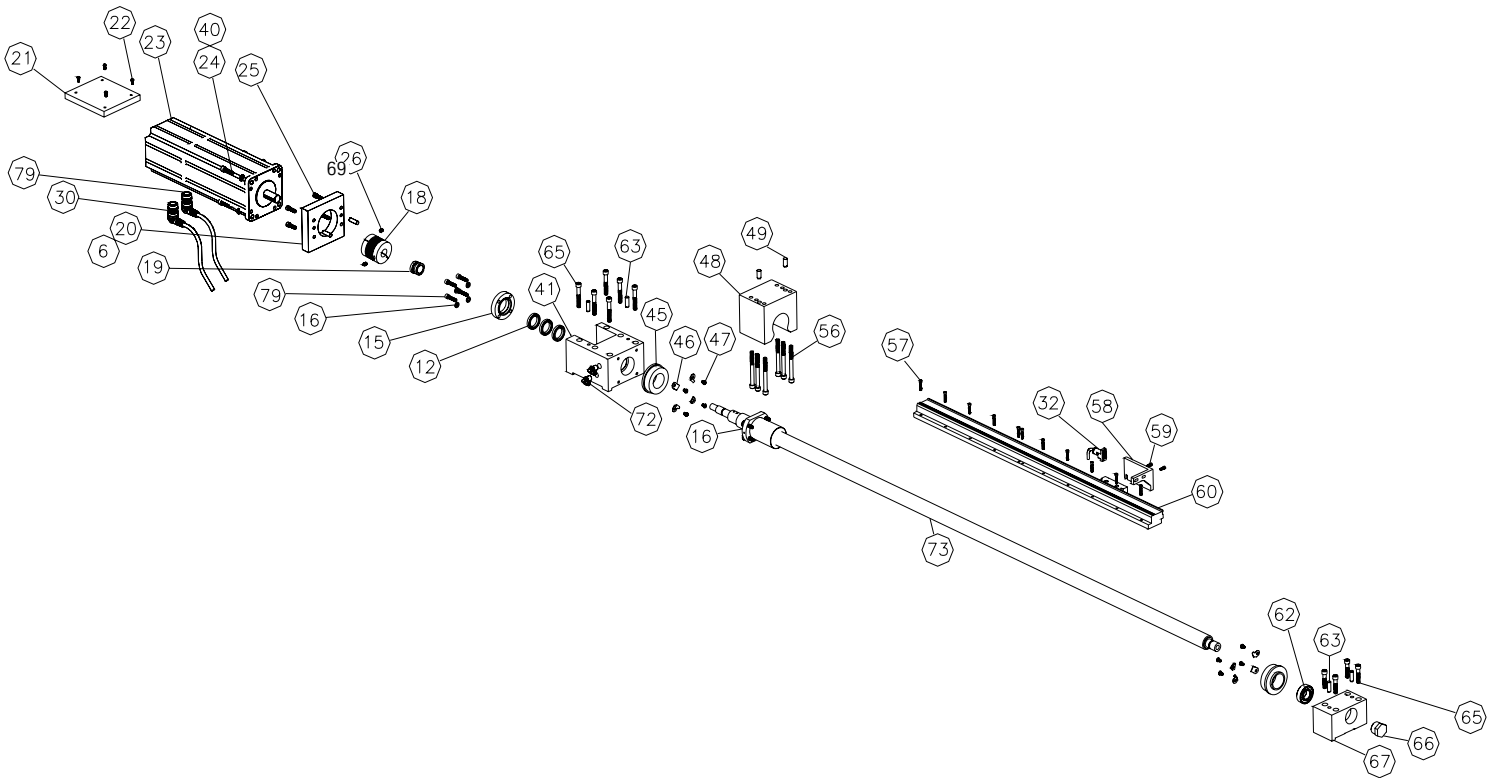


BASE ASSEMBLY

BASE ASSEMBLY

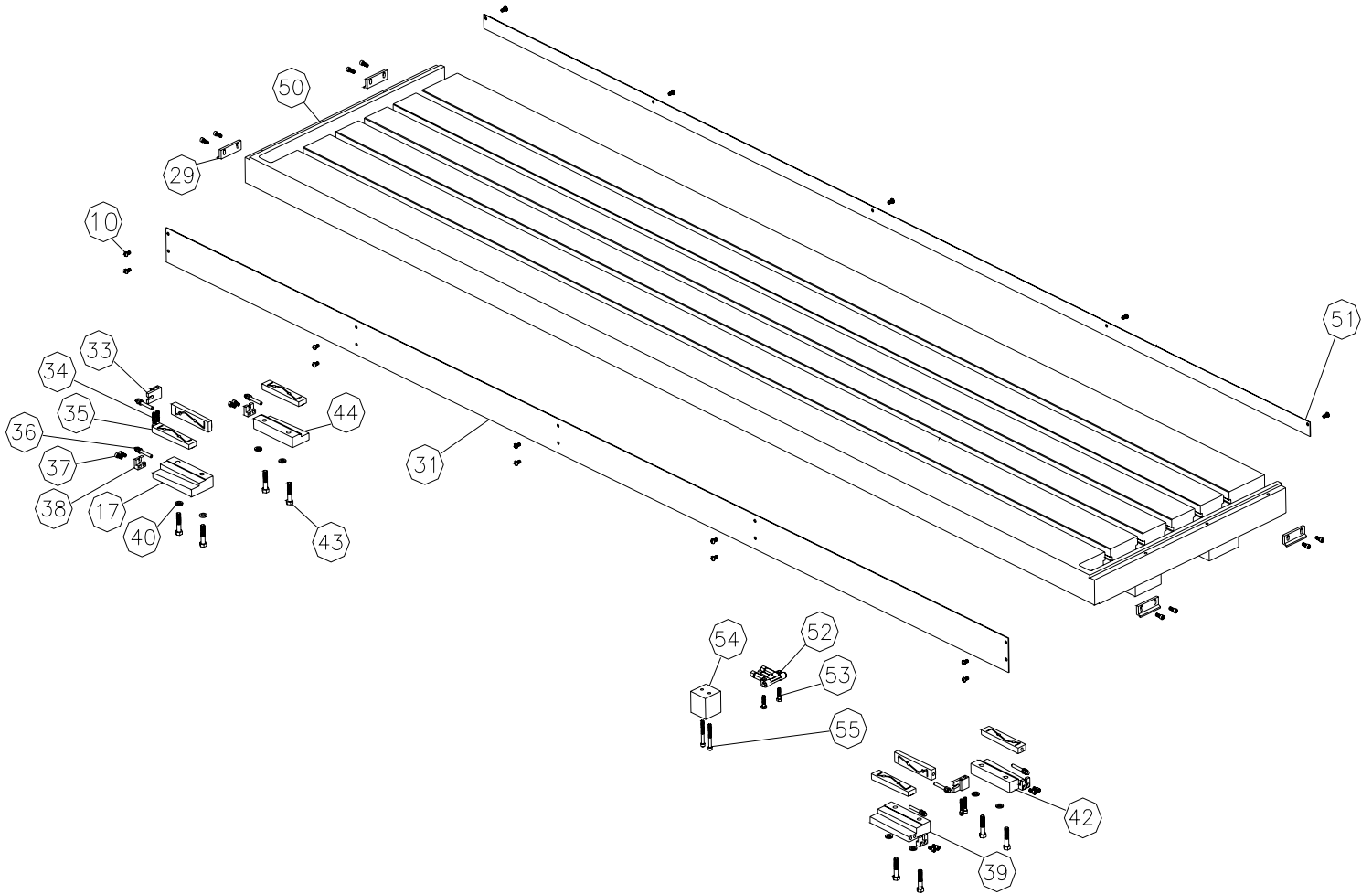
	PART #		PART #		PART #		PART #
1	HDW-0355	16	HDW-0012	31	BLS-0290	46	PLC-0063
2	STM-0042	17	HDW-0330	32	HDW-1124	47	HDW-0432
3	HDW-0279	18	BRG-0159	33	PLM-0034	48	GIB-0028
4	HDW-0294	19	BLS-0271	34	HDW-0210	49	GIB-0025
5	HDW-0313	20	STM-0905	35	BLS-0284	50	PLM-0112
6	GIB-0026	21	HDW-0347	36	BRG-0156	51	WIR-0803
7	HDW-0295	22	HDW-0797	37	GIB-0027	52	WIR-0804
8	GIB-0012	23	SCL-0085	38	HDW-0280	53	BLS-0291
9	GIB-0013	24	HDW-0090	39	MTR-0192	54	HDW-0619
10	GIB-0001	25	SCL-0121	40			
11	GIB-0010	26	HDW-0484	41			
12	GIB-0036	27	HDW-0387	42	MTR-0158		
13	HDW-1142	28	BLS-0285	43	HDW-0481		
14	BLS-0049	29	CVR-0128	44	HDW-1131		
15	BLS-0288	30	HDW-1045	45	MTR-0188		

SADDLE ASSEMBLY



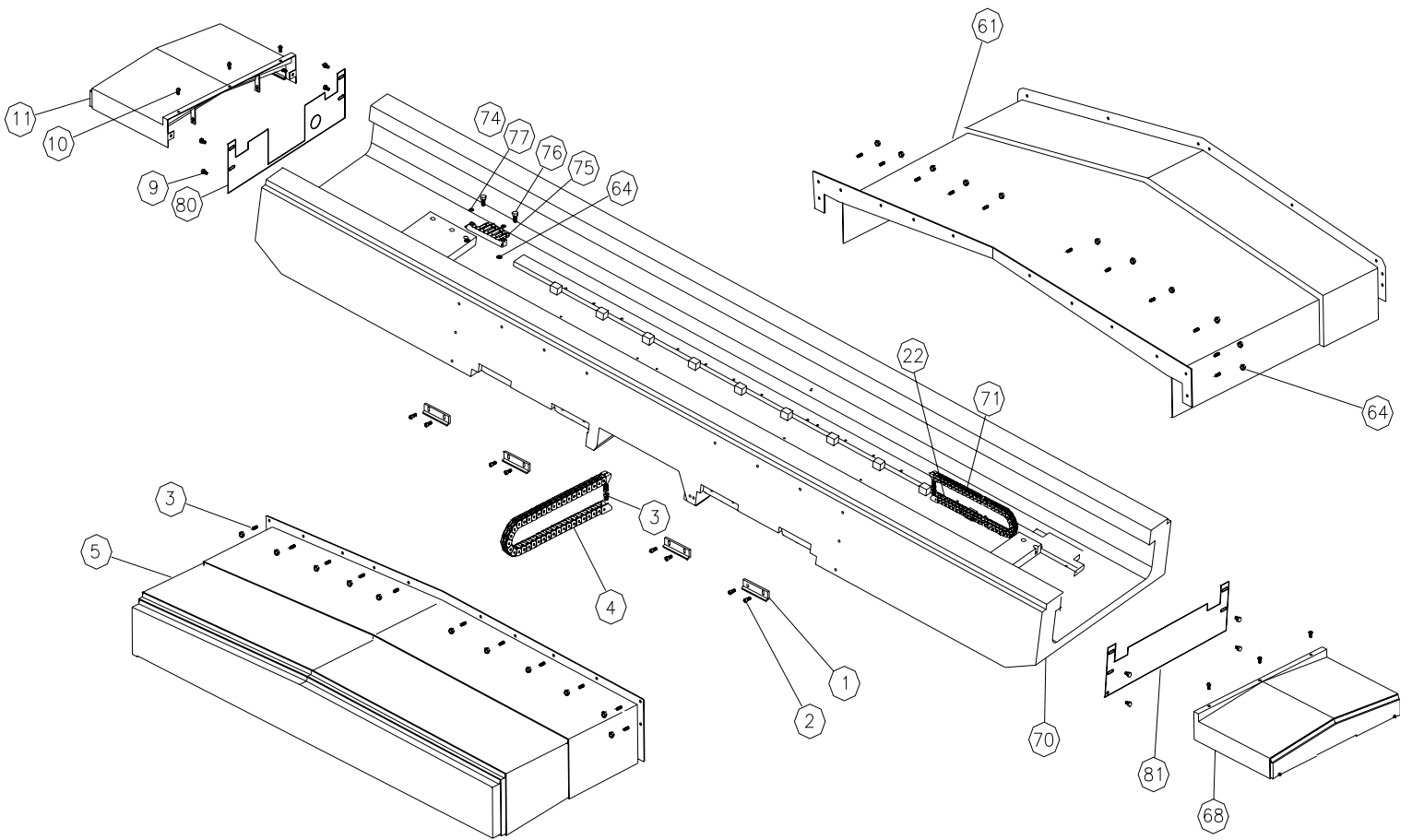
* Saddle Assembly parts list on page 11

SADDLE ASSEMBLY



* Saddle Assembly parts list on page 11

SADDLE ASSEMBLY



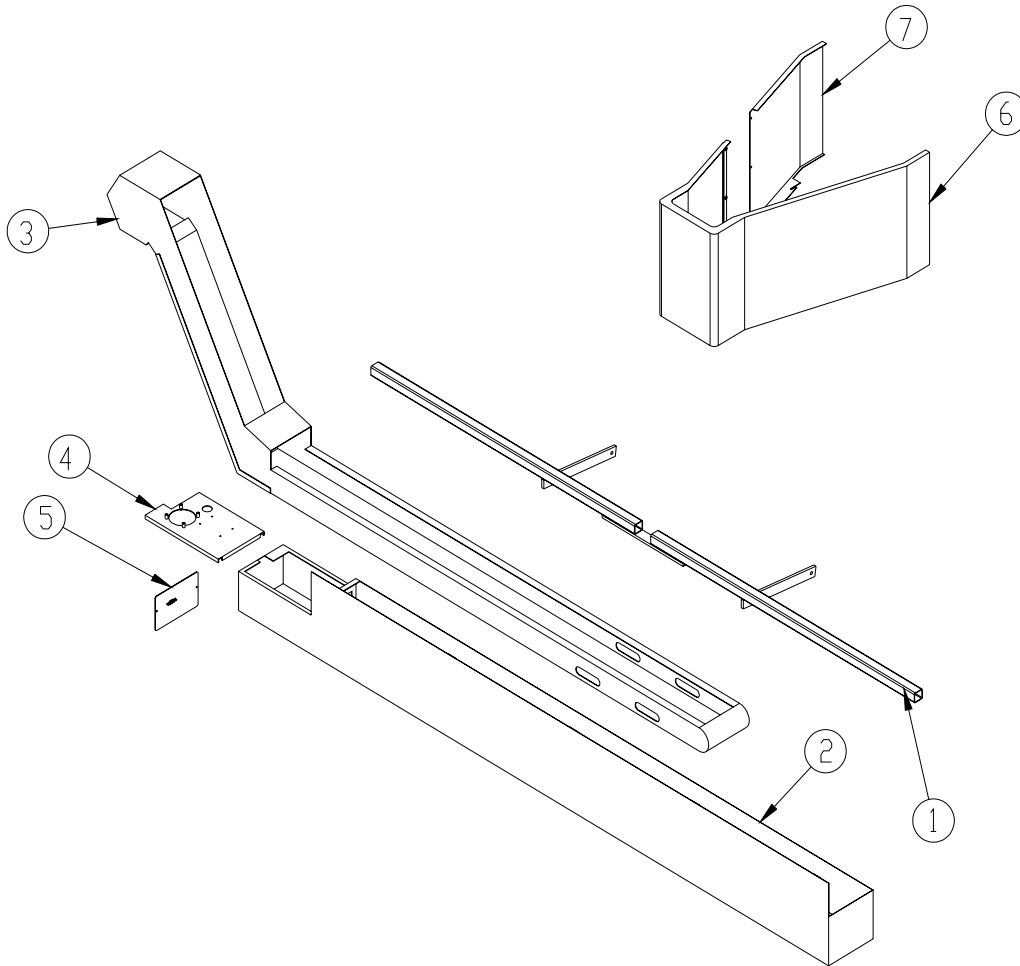
* Saddle Assembly parts list on page 11

SADDLE ASSEMBLY

SADDLE ASSEMBLY

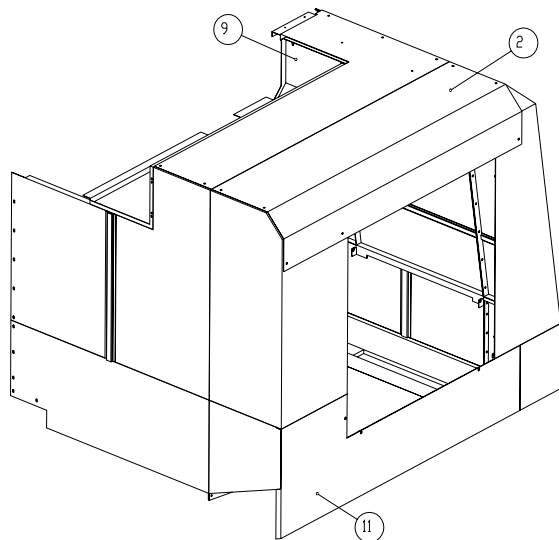
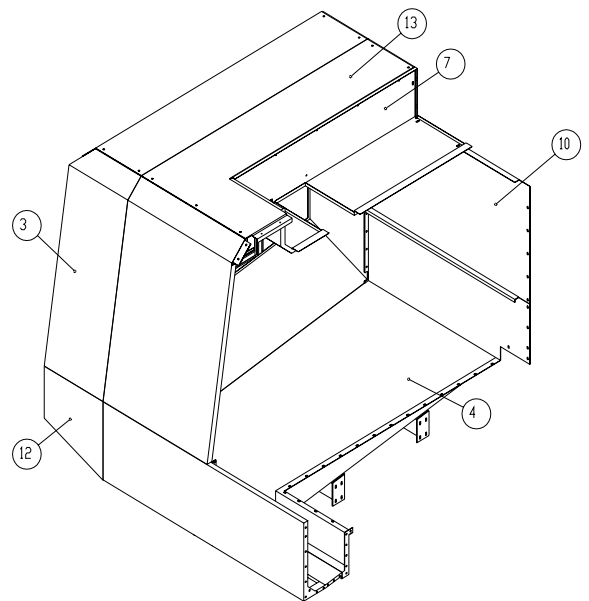
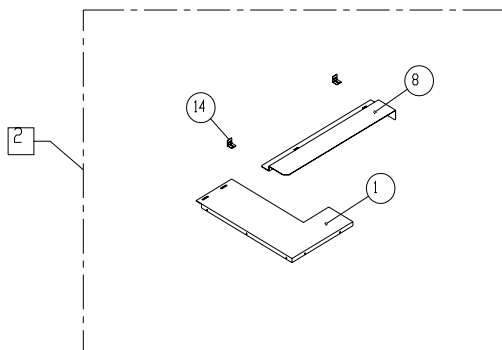
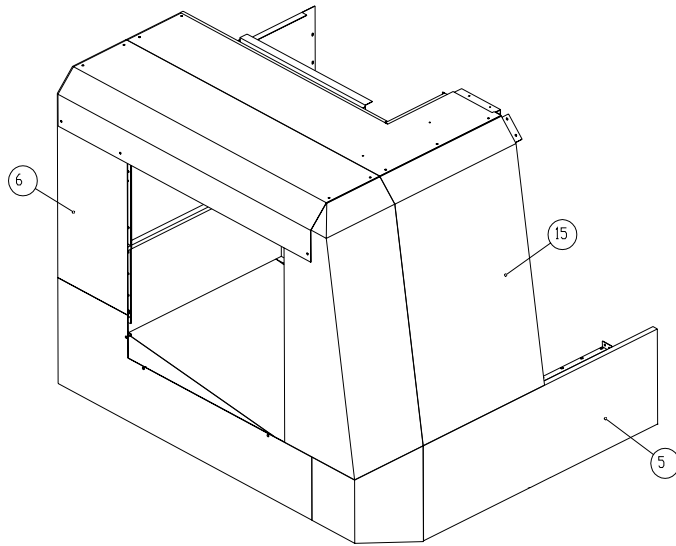
	PART #		PART #		PART #		PART #
1	CVR-0186	23	MTR-0188	44	GIB-0044	66	BLS-0049
2	HDW-1045	24	HDW-1131	45	BLS-0271	67	BLS-0288
3	HDW-0581	25	HDW-0025	46	STM-0905	68	CVR-0201
4	CVR-0205	26	HDW-0419	47	HDW-0347	69	WIR-0803
5	CVR-0187	27	MTR-0158	48	BLS-0296	70	SDL-0074
6	HDW-0801	28	MTR-0156	49	HDW-0622	71	CVR-0205
7		29	CVR-0200	50	TBL-0041	72	PLM-0112
8		30	WIR-0807	51	STM-1203	73	BLS-0287
9	HDW-0347	30	WIR-0804	52	LUB-0072	74	PLM-0034
10	HDW-0346	31	STM-1202	53	HDW-0576	75	LUB-0043
11	CVR-0202	32	SCL-0095	54	SCL-0084	76	HDW-0576
12	HDW-1124	33	GIB-0011	55	HDW-0489	77	HDW-0047
13		34	HDW-0297	56	HDW-0469	78	
14		35	GIB-0000	57	HDW-0303	79	HDW-0484
15	BRG-0156	36	GIB-0013	58	SCL-0128	80	STM-1222
16	HDW-0387	37	HDW-0295	59	HDW-0090	81	STM-1223
17	GIB-0046	38	GIB-0012	60	SCL-0120		
18	MTR-0192	39	GIB-0042	61	CVR-0188		
19	BRG-0284	40	HDW-1131	62	BRG-00159		
20	BLS-0291	41	BLS-0290	63	HDW-0330		
21	CVR-0201	42	GIB-0045	64	HDW-0279		
22	HDW-0346	43	HDW-0570	65	HDW-0012		

HEAD COVER / CHIP CONVEYOR



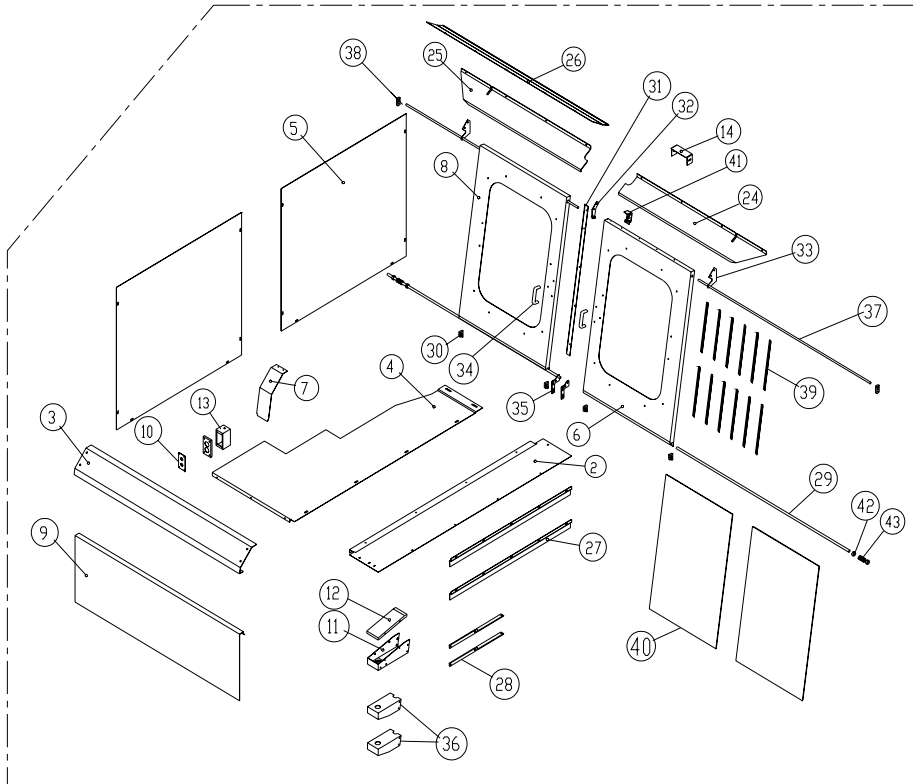
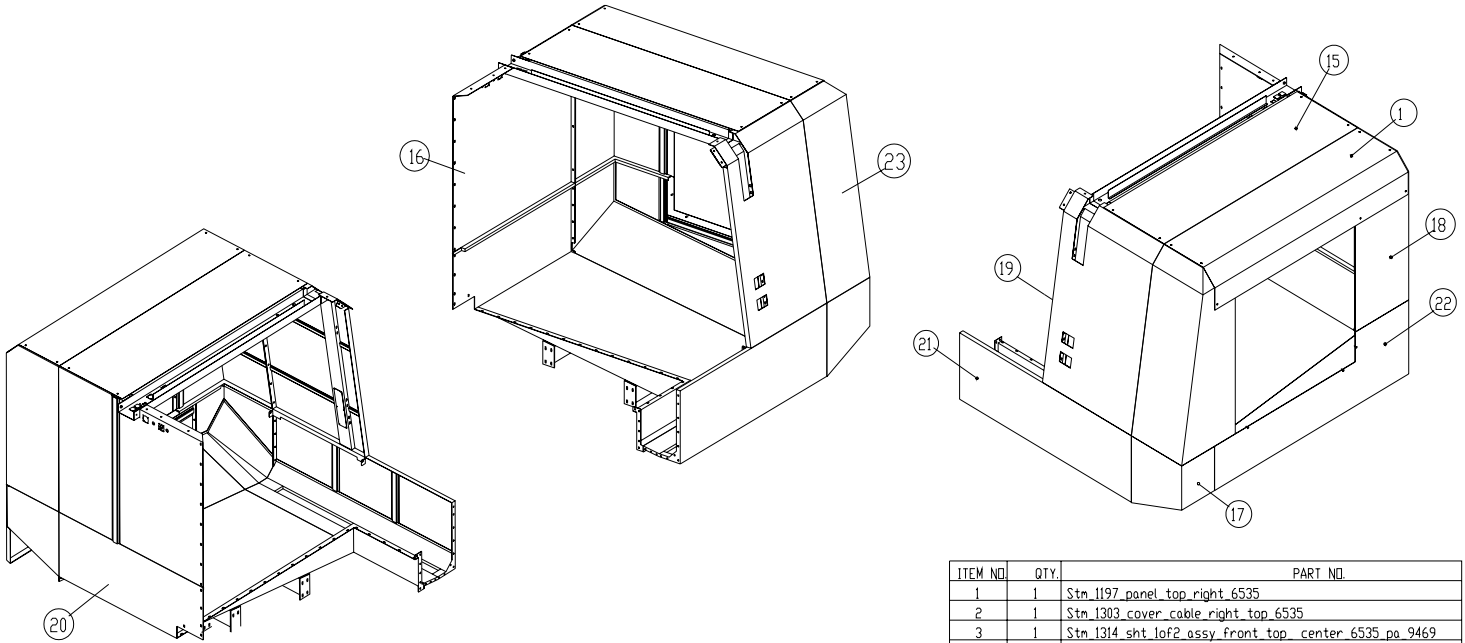
ITEM NO.	QTY.	PART NO.
1	1	Asy-0159 Assy., brace, sheet metal, 6535
2	1	Stm-1386 Tub, coolant, conveyor, A models 8030
3	1	Stm-1231 Conveyor, Henning, 153"
4	1	Stm-1233 Lid, coolant tub, conveyor, A models 8030
5	1	Stm-1234 Screen, coolant tub, 153" conveyer, std.
6	1	Stm-1302 Head cover, right, 6535
7	1	Stm-1306 Head cover, left, 6535

SHEET METAL LEFT 50T



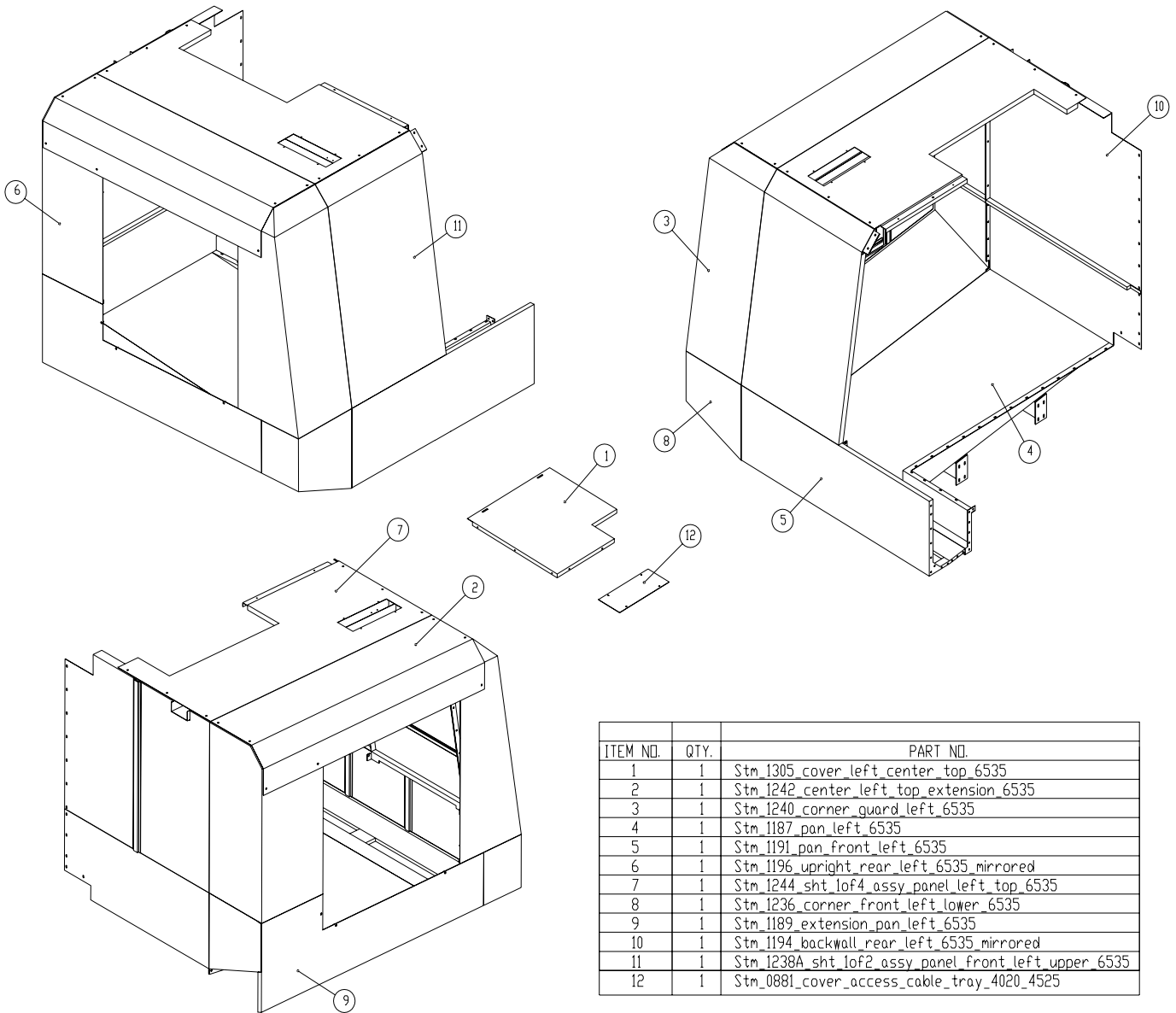
ITEM NO.	QTY.	PART NO.
1	1	Stm_1434_cover_left_center_top_50taper_DATC_6535
2	1	Stm_1242_center_left_top_extension_6535
3	1	Stm_1240_corner_guard_left_6535
4	1	Stm_1187_pan_left_6535
5	1	Stm_1191_pan_front_left_6535
6	1	Stm_1196_upright_rear_left_6535_mirrored
7	1	Stm_1466_tool_changer_back_shield_50taper_DATC_6535
8	1	Stm_1468_tool_changer_side_shield_50taper_DATC_6535
9	1	Stm_1467_tool_changer_front_shield_50taper_DATC_6535
10	1	Stm_1432_backwall_rear_left_50taper_DATC_6535
11	1	Stm_1189_extension_pan_left_6535
12	1	Stm_1236_corner_front_left_lower_6535
13	1	Stm_1465_panel_left_top_50taper_DATC_6535
14	2	Stm_1488_bracket_panel_connection_6535_50T
15	1	Stm_1238A_sht_1of2 Assy_panel_front_left_upper_6535

SHEET METAL RIGHT 50T



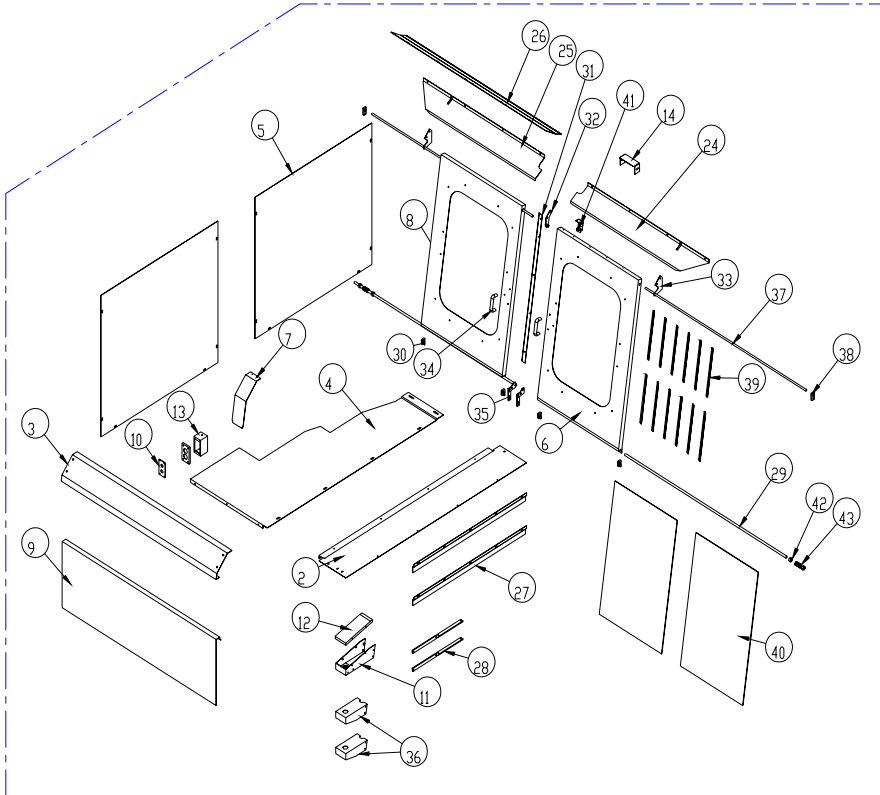
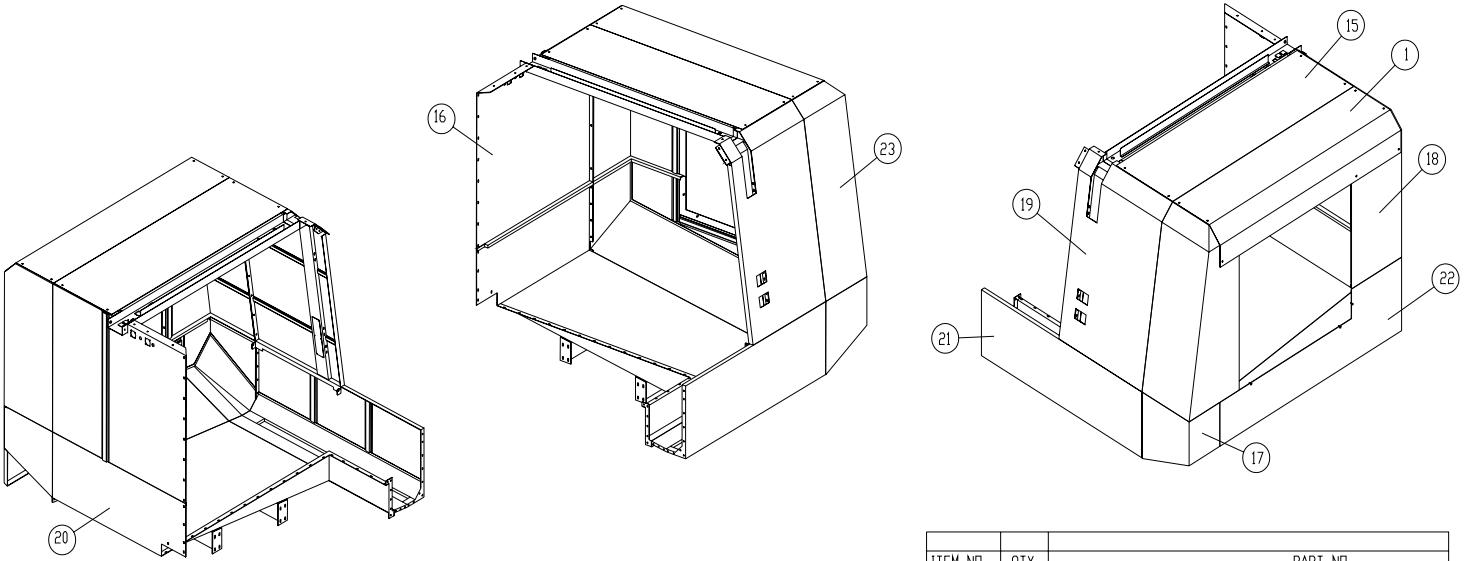
ITEM NO.	QTY.	PART NO.
1	1	Stn 1197 panel top right 6535
2	1	Stn 1303 cover cable right top 6535
3	1	Stn 1314 sht lof2 assy front top center 6535 pa 9469
4	1	Stn 1484 sht lof3 cover right center top 6535 50 toper
5	2	Stn 1199 side door left and right 6535 pa 9357
6	1	Stn 1312 sht lof3 assy door right front 6535 pa 9465
7	1	stn 0998 cover upper pendant mount thru 6535
8	1	Stn 1313 sht lof2 assy door left front 6535 pa 9466
9	1	Stn 1241 panel ss rub 6535
10	1	Lbl 0250 panel auger wash down lbl 0264
11	1	Stn 0913 mount upper pendant cnc 3020 4020s 4525 6535
12	1	Stn 0914 cover top pendant mount cnc 3020 4020 4525 6535
13	1	Stn 0793 lid enclosure with lid hys 3 button
14	1	Stn 1315 cover tray cable right top 6535 pa 9470
15	1	Stn 1243 sht lof3 assy panel right top 6535
16	1	Stn 1193 backwall rear right 6535
17	1	Stn 1192 corner front right lower 6535
18	1	Stn 1195 upright rear right 6535
19	1	Stn 1237 sht lof3 assy panel front right upper 6535
20	1	Stn 1837 Asy pan right 6535
21	1	Stn 1190 pan front right 6535 pa9443
22	1	Stn 1188 extension pan right 6535
23	1	Stn 1239 corner guard right 6535
24	1	Stn 1527A cover washdown system right side vnc 6535
25	1	Stn 1526A cover washdown system left side 6535
26	1	Stn 1400 guard splash chipblaster pa13120
27	2	Stn 1401 guard splash doors side chipblaster pa13121
28	2	Stn 1525A brace pan front 6535 pa 9746
29	2	Dor 0071 rod lower door 6535 pa 9358
30	4	Dor 0016B door hangers part 1
31	1	Stn 0893 splash guard door
32	1	Stn 0743 mount upper rail 6535 assy
33	2	Stn 0742 rail mount upper center 3020 4020 4525 6535
34	2	Hdw 0968 handle front door e937313 nolu plastics inc
35	2	Stn 0740 mount lower rail 3020 4020S 4525 6535
36	1	Stn 0885 or Stn 0748 mount lower pendant 88HS and 32MP
37	2	Dor 0072 rod upper door 6535 pa 9359
38	2	Stn 0739 support door rail upper
39	12	Stn 0084 retainer lexan .1875 set of 6 stn 0084
40	2	Dor 0007 lexan panel front door 4175 x 26.5
41	1	Stn 0738 cover door switch 3020-4020s 4525 6535
42	4	Hdw 0215 collar door rod five eighth in
43	2	Hdw 0264 spring door .9750 x 2in 302SS

SHEET METAL LEFT 40T



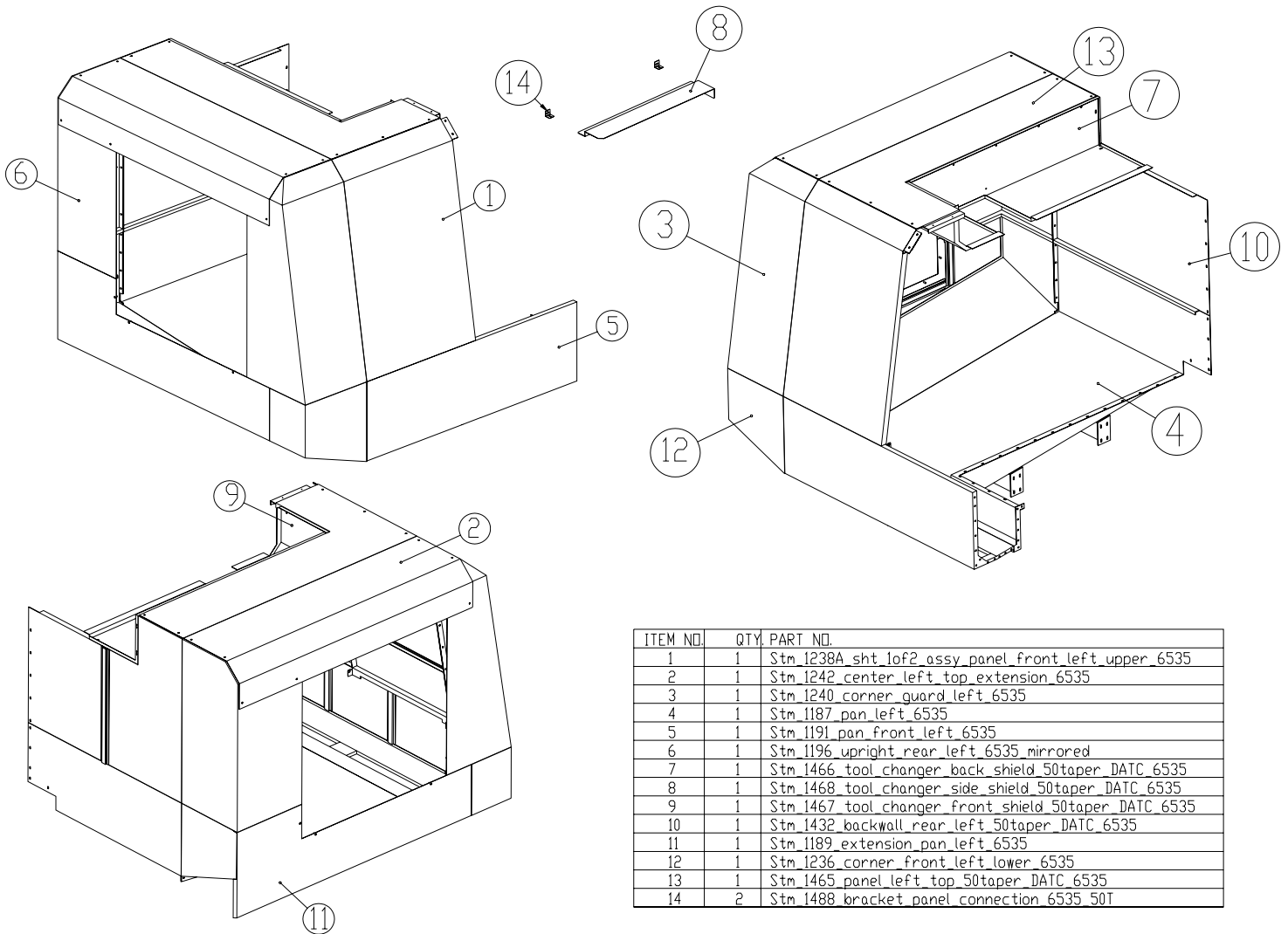
ITEM NO.	QTY.	PART NO.
1	1	Stm_1305_cover_left_center_top_6535
2	1	Stm_1242_center_left_top_extension_6535
3	1	Stm_1240_corner_guard_left_6535
4	1	Stm_1187_pan_left_6535
5	1	Stm_1191_pan_front_left_6535
6	1	Stm_1196_upright_rear_left_6535_mirrored
7	1	Stm_1244_sht_lof4_assy_panel_left_top_6535
8	1	Stm_1236_corner_front_left_lower_6535
9	1	Stm_1189_extension_pan_left_6535
10	1	Stm_1194_backwall_rear_left_6535_mirrored
11	1	Stm_1238A_sht_lof2_assy_panel_front_left_upper_6535
12	1	Stm_0881_cover_access_cable_tray_4020_4525

SHEET METAL RIGHT 40T



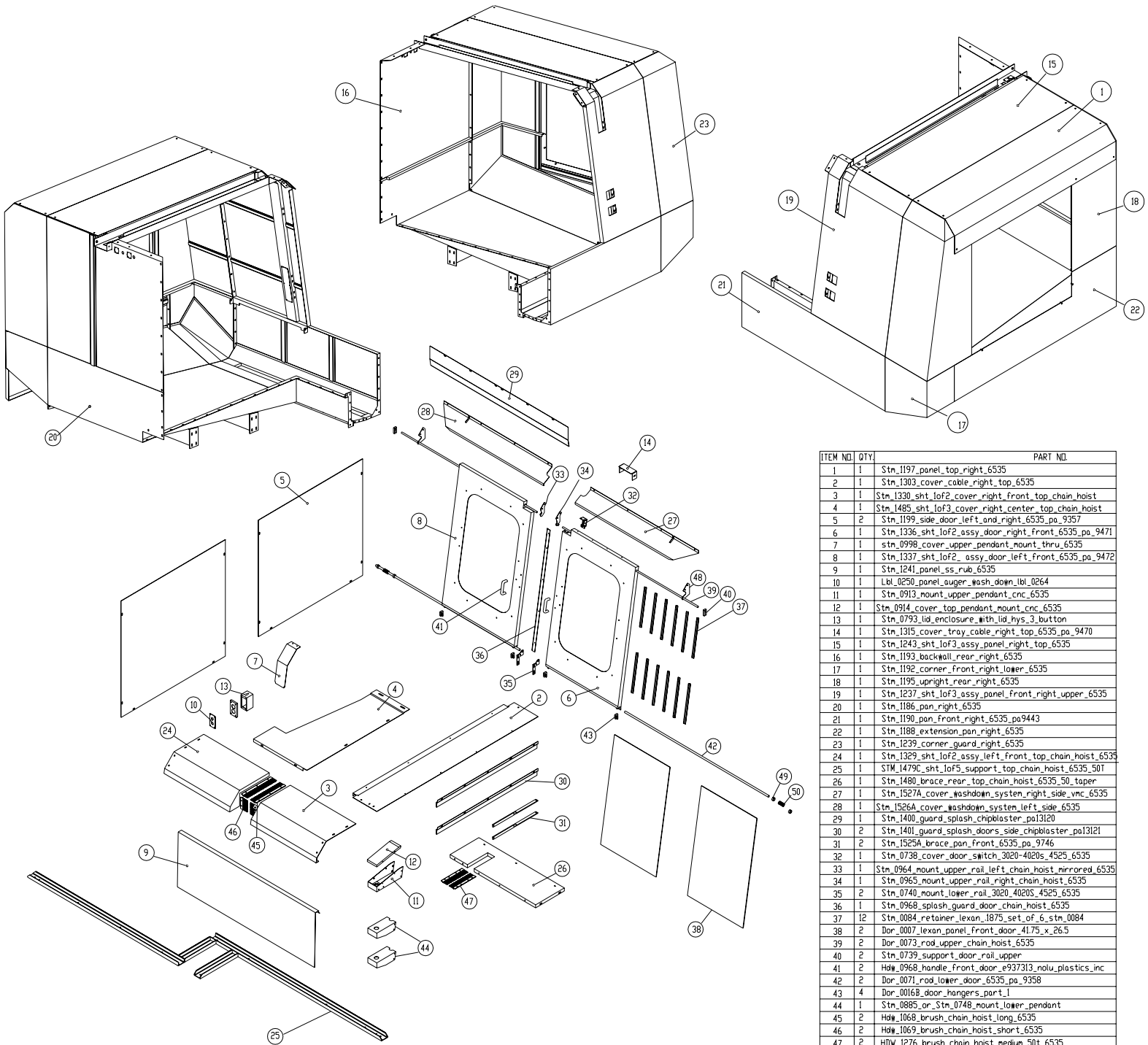
ITEM NO.	QTY.	PART NO.
1	1	Stm 1197 panel top right 6535
2	1	Stm 1303 cover cable right top 6535
3	1	Stm 1314 sht lof2 assy front top center 6535
4	1	Stm 1304 sht lof3 cover right center top std 6535
5	2	Stm 1199 side door left and right 6535 pa 9357
6	1	Stm 1312 sht lof3 assy door right front 6535 pa 9465
7	1	stm 0998 cover upper pendant mount thru 6535
8	1	Stm 1313 sht lof2 assy door left front 6535 pa 9466
9	1	Stm 1241 panel ss rub 6535
10	1	Lbl 0250 panel auger wash down lbl 0264
11	1	Stm 0913 mount upper pendant cnc 6535
12	1	Stm 0914 cover top pendant mount cnc 6535
13	1	Stm 0793 lid enclosure with lid hys 3 button
14	1	Stm 1315 cover tray cable right top 6535 pa 9470
15	1	Stm 1243 sht lof3 assy panel right top 6535
16	1	Stm 1193 backwall rear right 6535
17	1	Stm 1192 corner front right lower 6535
18	1	Stm 1195 upright rear right 6535
19	1	Stm 1237 sht lof3 assy panel front right upper 6535
20	1	Stm 1186 pan right 6535
21	1	Stm 1190 pan front right 6535 pa9443
22	1	Stm 1188 extension pan right 6535
23	1	Stm 1239 extension pan right 6535
24	1	Stm 1527A cover washdown system right side vnc 6535
25	1	Stm 1526A cover washdown system left side 6535
26	1	Stm 1400 guard splash chipblaster pa13120
27	2	Stm 1401 guard splash doors side chipblaster pa13121
28	2	Stm 1525A brace pan front 6535 pa 9746
29	2	Dor 0071 rod lower door 6535 pa 9358
30	4	Dor 0016B door hangers part 1
31	1	Stm 0893 splash guard door
32	1	Stm 0743 mount upper rail 6535 assy
33	2	Stm 0742 rail mount upper center 3020 4020 4525 6535
34	2	Hdw 0968 handle front door e937313 molu plastics inc
35	2	Stm 0740 mount lower rail 3020 4020S 4525 6535
36	1	Stm 0885 or Stm 0748 mount lower pendant 88HS
37	2	Dor 0072 rod upper door 6535 pa 9359
38	2	Stm 0739 support door rail upper
39	12	Stm 0084 retainer lexan .1875 set of 6 stm 0084
40	2	Dor 0007 lexan panel front door 41.75 x 26.5
41	1	Stm 0738 cover door switch 3020-4020S 4525 6535
42	4	Hdw 0215 collar door rod five eighth in
43	2	Hdw 0264 spring door .9750 x 2in 302SS

SHEET METAL LEFT 50T CHAIN HOIST



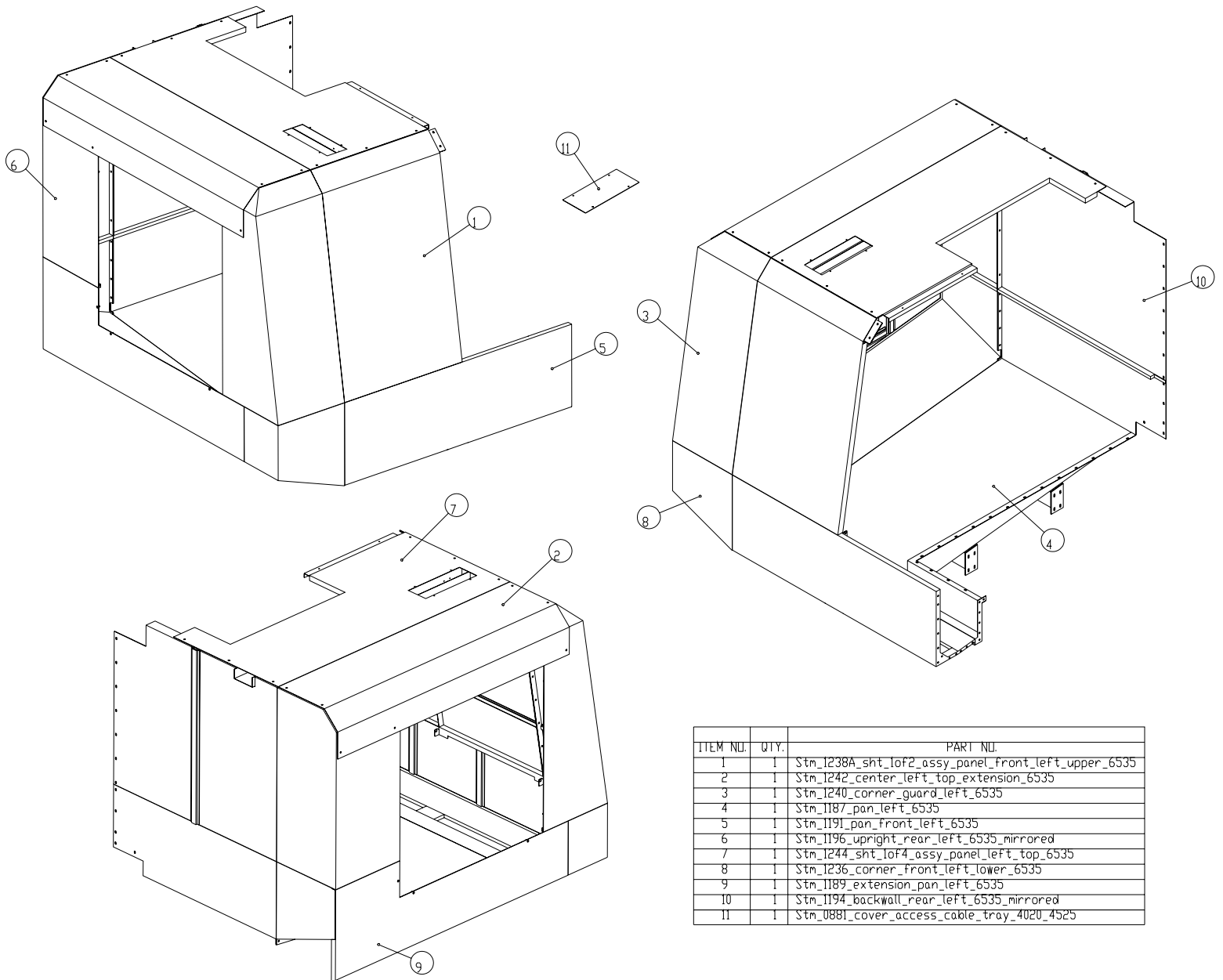
ITEM NO.	QTY.	PART NO.
1	1	Stm 1238A_sht.1of2_assy_panel_front_left_upper_6535
2	1	Stm 1242_center_left_top_extension_6535
3	1	Stm 1240_corner_guard_left_6535
4	1	Stm 1187_pan_left_6535
5	1	Stm 1191_pan_front_left_6535
6	1	Stm 1196_upright_rear_left_6535_mirrored
7	1	Stm 1466_tool_changer_back_shield_50taper_DATC_6535
8	1	Stm 1468_tool_changer_side_shield_50taper_DATC_6535
9	1	Stm 1467_tool_changer_front_shield_50taper_DATC_6535
10	1	Stm 1432_backwall_rear_left_50taper_DATC_6535
11	1	Stm 1189_extension_pan_left_6535
12	1	Stm 1236_corner_front_left_lower_6535
13	1	Stm 1465_panel_left_top_50taper_DATC_6535
14	2	Stm 1488_bracket_panel_connection_6535_50T

SHEET METAL RIGHT 50T CHAIN HOIST



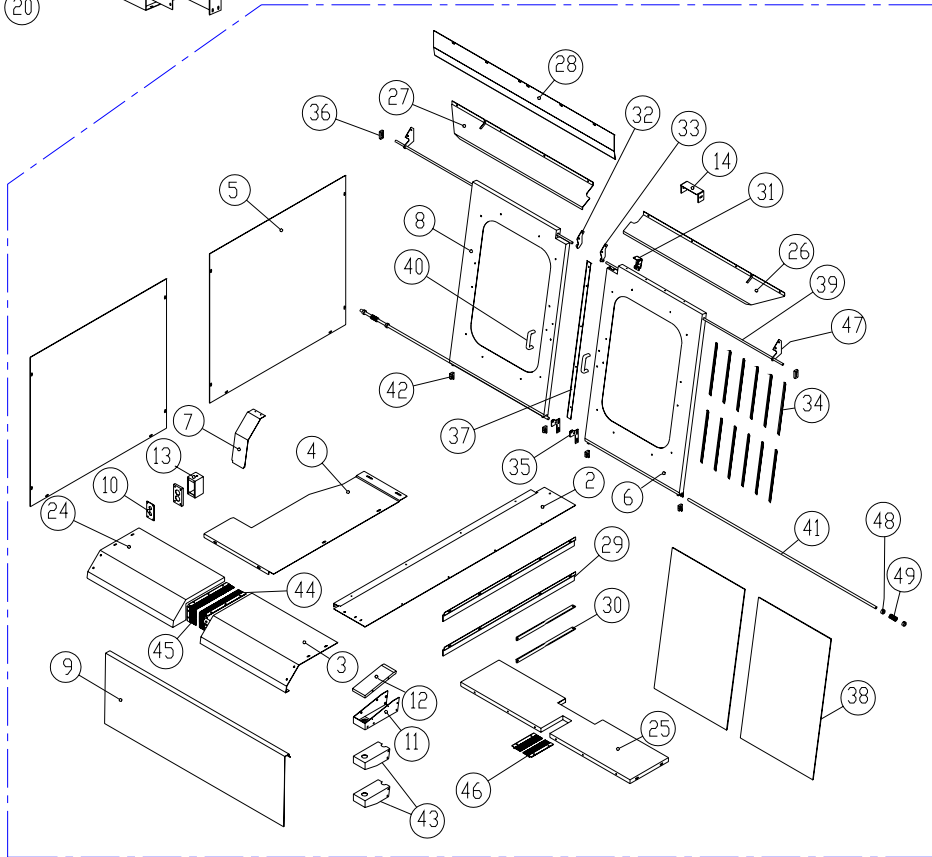
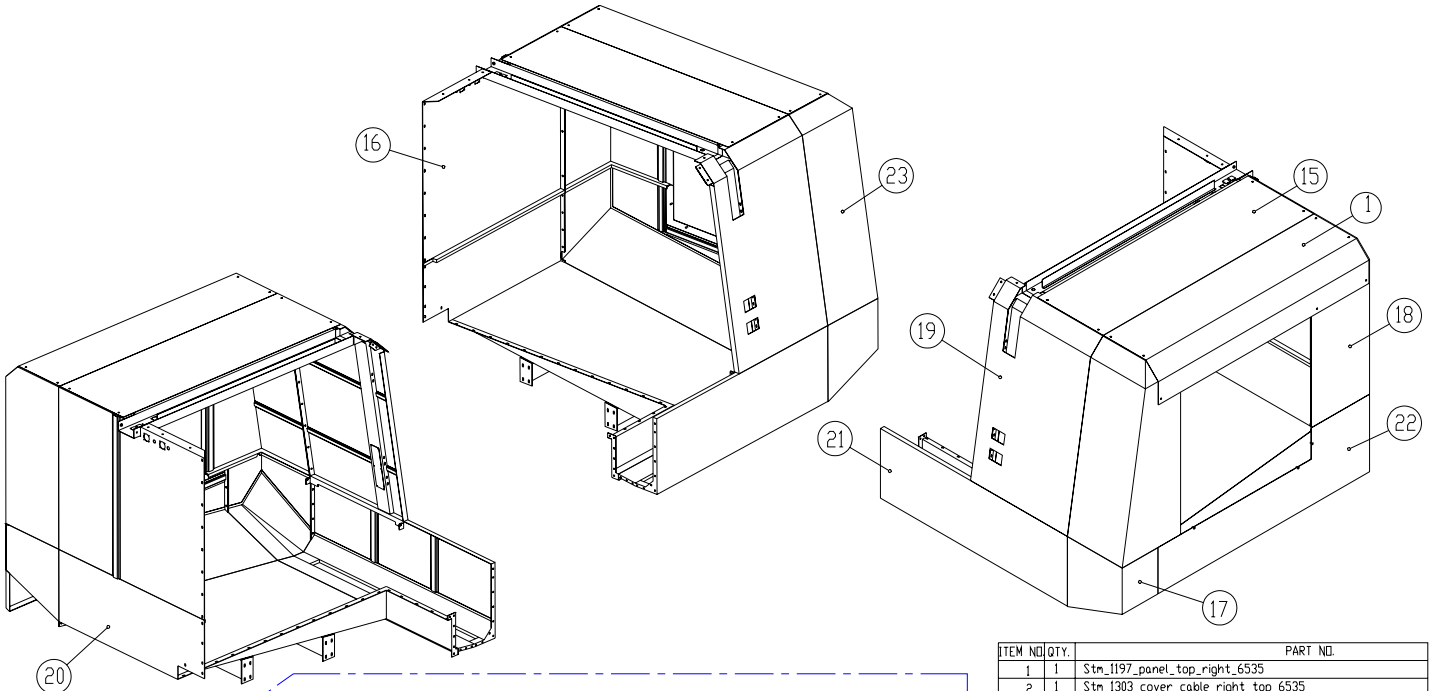
ITEM NO.	QTY	PART NO.
1	1	Stn_1197_panel_top_right_6535
2	1	Stn_1303_cover_cable_right_top_6535
3	1	Stn_1330_sht_lof2_cover_right_front_top_chain_hoist
4	1	Stn_1485_sht_lof3_cover_right_center_top_chain_hoist
5	2	Stn_1199_side_door_left_and_right_6535_pa_9357
6	1	Stn_1336_sht_lof2_assy_door_right_front_6535_pa_9471
7	1	Stn_0998_cover_upper_pendant_mount_thru_6535
8	1	Stn_1337_sht_lof2_assy_door_left_front_6535_pa_9472
9	1	Stn_1241_panel_ss_rub_6535
10	1	Lbl_0250_panel_upper_wash_down_lbl_0264
11	1	Stn_0913_mount_upper_pendant_cnc_6535
12	1	Stn_0914_cover_top_pendant_mount_cnc_6535
13	1	Stn_0793_lid_enclosure_with_lid_hys_3_button
14	1	Stn_1315_cover_tray_cable_right_top_6535_pa_9470
15	1	Stn_1243_sht_lof3_assy_panel_right_top_6535
16	1	Stn_1193_backwall_rear_right_6535
17	1	Stn_1192_corner_front_right_lower_6535
18	1	Stn_1195_upright_rear_right_6535
19	1	Stn_1237_sht_lof3_assy_panel_front_right_upper_6535
20	1	Stn_1186_pan_right_6535
21	1	Stn_1190_pan_front_right_6535_pa9443
22	1	Stn_1188_extension_pan_right_6535
23	1	Stn_1239_corner_guard_right_6535
24	1	Stn_1329_sht_lof2_assy_left_front_top_chain_hoist_6535
25	1	Stn_1479C_sht_lof5_support_top_chain_hoist_6535_50T
26	1	Stn_1480_brace_rear_top_chain_hoist_6535_50_taper
27	1	Stn_1527A_cover_washdown_system_right_side_vmc_6535
28	1	Stn_1526A_cover_washdown_system_left_side_6535
29	1	Stn_1400_guard_splash_chpbloster_pa13120
30	2	Stn_1401_guard_splash_doors_side_chpbloster_pa13121
31	2	Stn_1525A_brace_pan_front_6535_pa_9746
32	1	Stn_0738_cover_door_switch_3020-4020s_4525_6535
33	1	Stn_0964_mount_upper_rail_left_chain_hoist_mirrored_6535
34	1	Stn_0965_mount_upper_rail_right_chain_hoist_6535
35	2	Stn_0740_mount_lower_rail_3020_4020s_4525_6535
36	1	Stn_0968_splash_guard_door_chain_hoist_6535
37	12	Stn_0084_retainer_lexan_1875_set_of_6_stm_0084
38	2	Dor_0007_lexan_panel_front_door_4175_x_26.5
39	2	Dor_0073_rod_upper_chain_hoist_6535
40	2	Stn_0739_support_door_rail_upper
41	2	Hdw_0968_handle_front_door_e937313_nolu_plastics_inc
42	2	Dor_0071_rod_lower_door_6535_pa_9358
43	4	Dor_00168_door_hangers_part_1
44	1	Stn_0885_or_Stn_0748_mount_lower_pendant
45	2	Hdw_1068_brush_chain_hoist_long_6535
46	2	Hdw_1069_brush_chain_hoist_short_6535
47	2	Hdw_1276_brush_chain_hoist_medium_50t_6535
48	2	Stn_0742_rail_mount_upper_center_3020_4020_4525_6535
49	4	Hdw_0215_collor_door_rod_five_eighth_in
50	2	Hdw_0264_spring_door_9750_x_2in_302SS

SHEET METAL LEFT 40T CHAIN HOIST



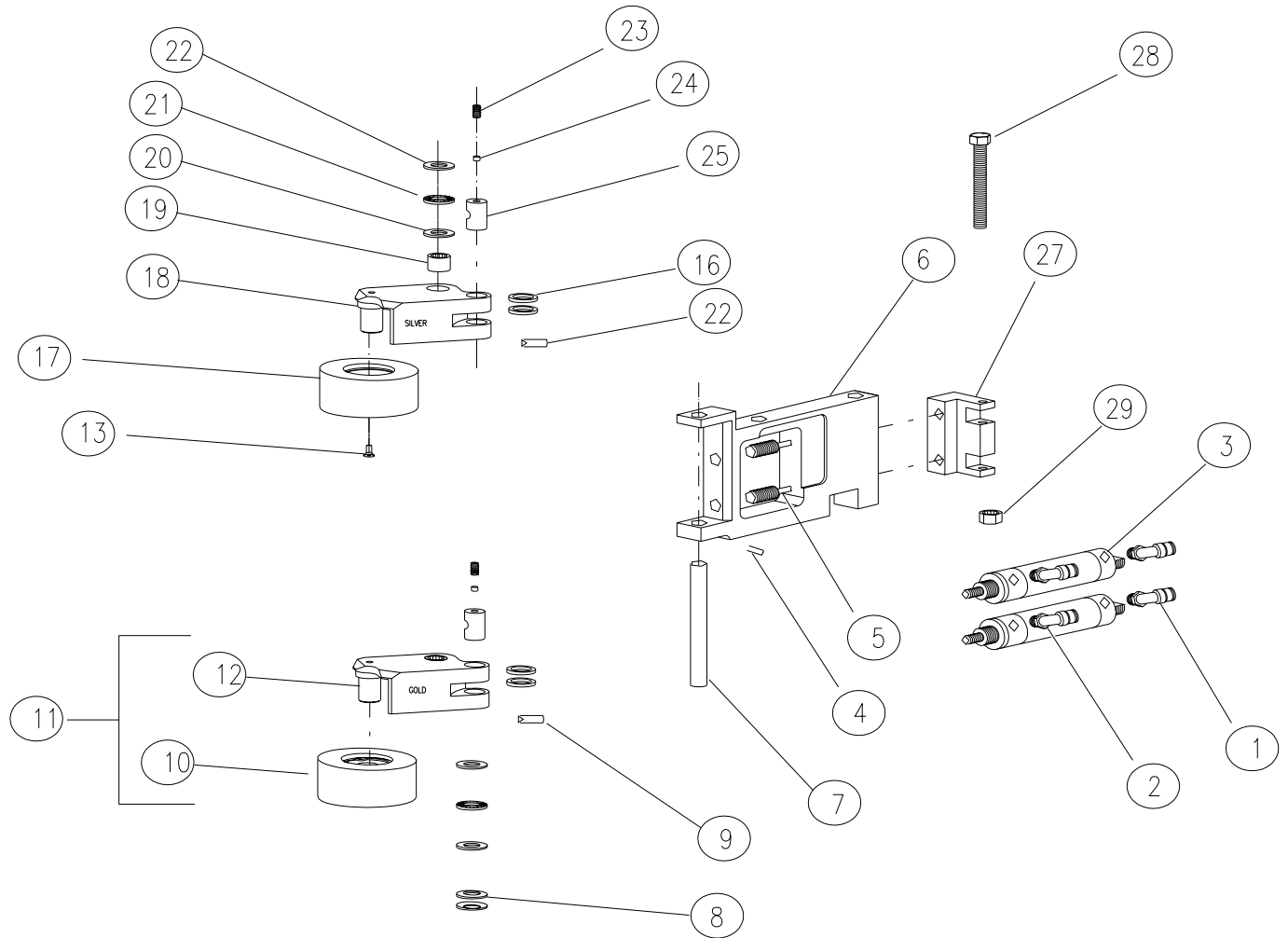
ITEM NO.	QTY.	PART NO.
1	1	Stm_1238A_sht_lof2_assy_panel_front_left_upper_6535
2	1	Stm_1242_center_left_top_extension_6535
3	1	Stm_1240_corner_guard_left_6535
4	1	Stm_1187_pan_left_6535
5	1	Stm_1191_pan_front_left_6535
6	1	Stm_1196_upright_rear_left_6535_mirrored
7	1	Stm_1244_sht_lof4_assy_panel_left_top_6535
8	1	Stm_1236_corner_front_left_lower_6535
9	1	Stm_1189_extension_pan_left_6535
10	1	Stm_1194_backwall_rear_left_6535_mirrored
11	1	Stm_0881_cover_access_cable_tray_4020_4525

SHEET METAL RIGHT 40T CHAIN HOIST



ITEM NO.	QTY.	PART NO.
1	1	Stm_1197_panel_top_right_6535
2	1	Stm_1303_cover_cable_right_top_6535
3	1	Stm_1330_sht_lof2_cover_right_front_top_chain_hoist
4	1	Stm_1331_sht_lof3_cover_right_center_top_chain_hoist
5	2	Stm_1199_side_door_left_and_right_6535_pa_9357
6	1	Stm_1336_sht_lof2_assy_door_right_front_6535_pa_9471
7	1	stm_0998_cover_upper_pendant_mount_thru_6535
8	1	Stm_1337_sht_lof2_assy_door_left_front_6535_pa_9472
9	1	Stm_1241_panel_ss_rub_6535
10	1	Lbl_0250_panel_auger_wash_down_lbl_0264
11	1	Stm_0913_mount_upper_pendant_cnc_6535
12	1	Stm_0914_cover_top_pendant_mount_cnc_6535
13	1	Stm_0793_lid_enclosure_with_lid_hys_3_button
14	1	Stm_1315_cover_tray_cable_right_top_6535_pa_9470
15	1	Stm_1243_sht_lof3_assy_panel_right_top_6535
16	1	Stm_1193_backwall_rear_right_6535
17	1	Stm_1192_corner_front_right_lower_6535
18	1	Stm_1195_upright_rear_right_6535
19	1	Stm_1237_sht_lof3_assy_panel_front_right_upper_6535
20	1	Stm_1186_pan_right_6535
21	1	Stm_1190_pan_front_right_6535_pa9443
22	1	Stm_1188_extension_pan_right_6535
23	1	Stm_1239_corner_guard_right_6535
24	1	Stm_1329_sht_lof2_assy_left_front_top_chain_hoist
25	1	Stm_1245_brace_rear_top_chain_hoist_6535_pa_9360
26	1	Stm_1527A_cover_washdown_system_right_side_vmc_6535
27	1	Stm_1526A_cover_washdown_system_left_side_6535
28	1	Stm_1400_guard_splash_chipblaster_pa13120
29	2	Stm_1401_guard_splash_doors_side_chipblaster_pa13121
30	2	Stm_1525A_brace_pan_front_6535_pa_9746
31	1	Stm_0738_cover_door_switch_3020-4020s_4525_6535
32	1	Stm_0964_mount_upper_rail_left_chain_hoist_6535
33	1	Stm_0965_mount_upper_rail_right_chain_hoist_6535
34	12	Stm_0084_retainer_lexan_1875_set_of_6_stm_0084
35	2	Stm_0740_mount_lower_rail_3020_4020s_4525_6535
36	2	Stm_0739_support_door_rail_upper
37	1	Stm_0968_splash_guard_door_chain_hoist_6535
38	2	Dor_0007_lexan_panel_front_door_4175_x_26.5
39	2	Dor_0073_rod_upper_chain_hoist_6535
40	2	Hdw_0968_handle_front_door_e937313_nolu_plastics_inc
41	2	Dor_0071_rod_lower_door_6535_pa_9358
42	4	Dor_0016B_door_hangers_part_1
43	1	Stm_0885_or_Stm_0748_mount_lower_pendant
44	2	Hdw_1068_brush_chain_hoist_long_6535
45	2	Hdw_1069_brush_chain_hoist_short_6535
46	2	Hdw_1127_brush_chain_hoist_6535_pa_9362
47	2	Stm_0742_rail_mount_upper_center_3020_4020_4525_6535
48	4	Hdw_0215_collar_door_rod_five_eigh_in
49	2	Hdw_0264_spring_door_9750_x_2in_3025S

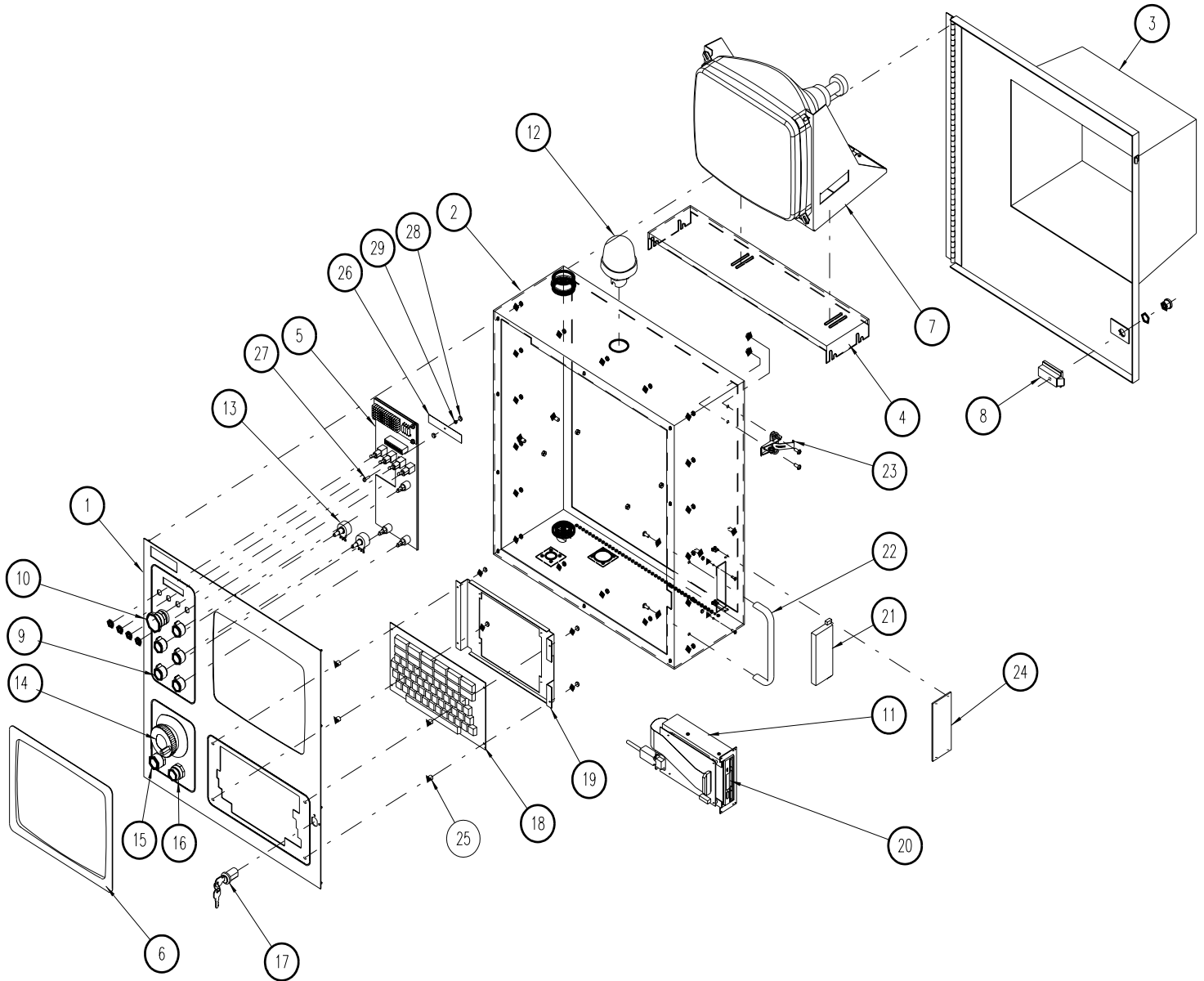
10K IDLER ASSEMBLY



10K IDLER ASSEMBLY

	PART #		PART #		PART #
1	PLM-0036	11	IDL-0000	21	BRG-0015
2	PLM-0034	12	IDL-0004	22	BRG-0016
3	CYL-0006	13	HDW-0605	23	HDW-0412
4	HDW-0612	14		24	IDL-0010
5	ELE-0145	15		25	IDL-0012
6	IDL-0011	16	HDW-0277	26	
7	IDL-0006	17	IDL-0017	27	IDL-0008
8		18	IDL-0015	28	HDW-0579
9	ELE-0147	19	BRG-0017	29	HDW-0643
10	IDL-0007	20	BRG-0016		

MULTI PROCESSOR PENDANT

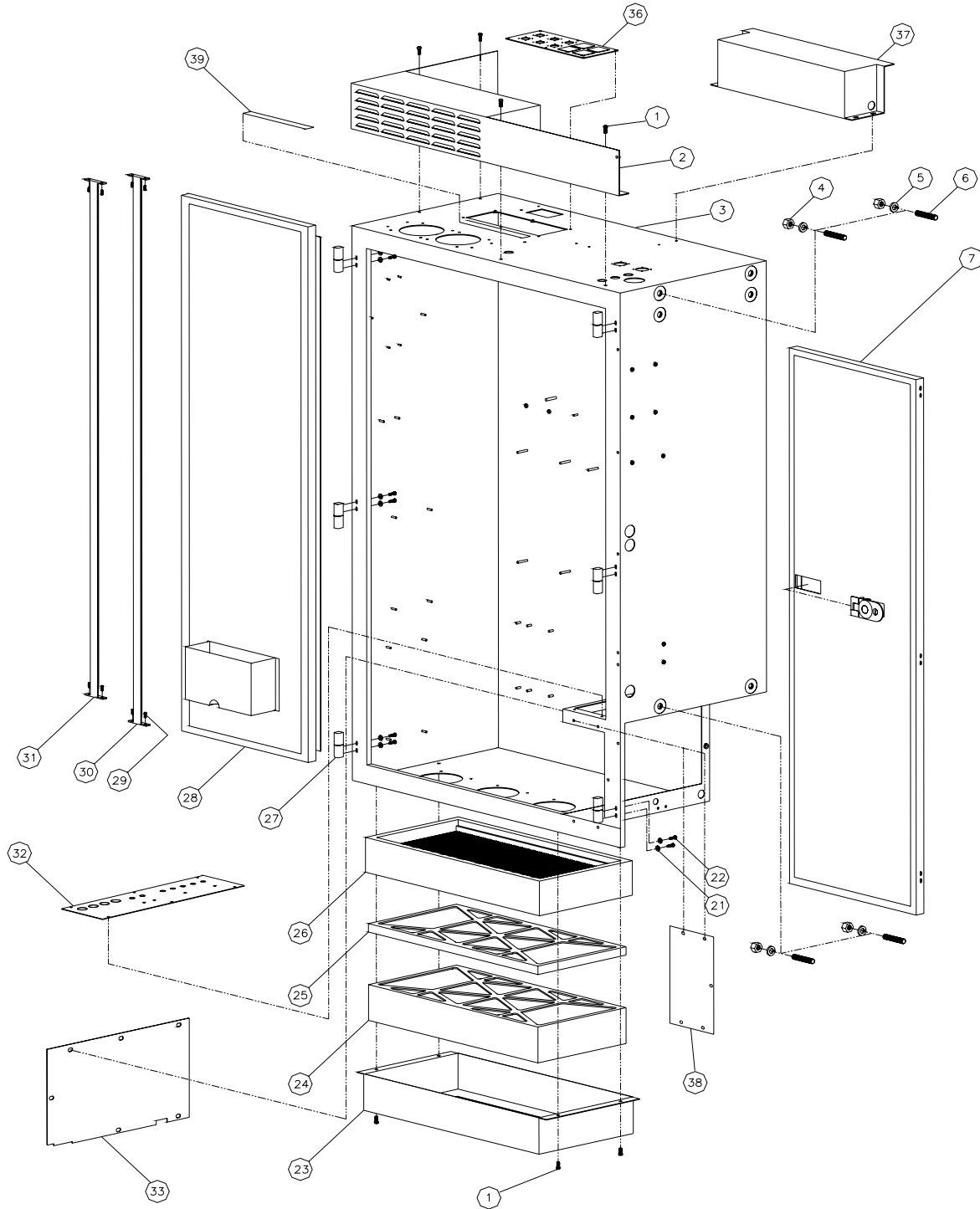


MULTI PROCESSOR PENDANT

MULTI PROCESSOR PENDANT

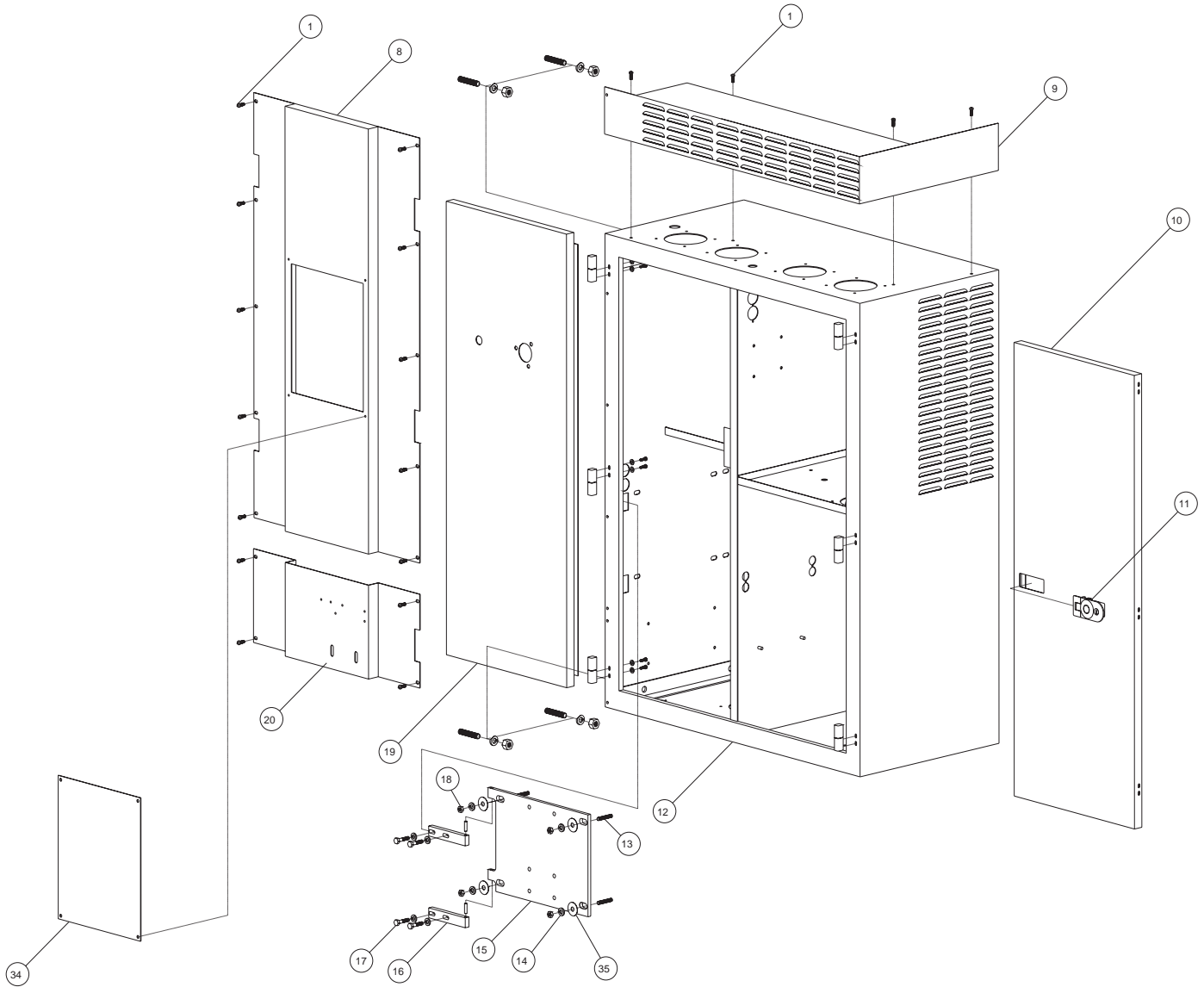
	PART #		PART #		PART #		PART #
1	CTR-0134		ELE-0888	15	ELE-0093	24	STM-0547
2	STM-0945 20F4		ELE-0889	16	ELE-0091	25	HDW-1083
3	STM-0945 30F4	8	HDW-0221	17	ELE-0096	26	ELE-1184
4	STM-0951	9	HDW-0671	18	ELE-0083	27	HDW-1082
5	PCB-0200	10	ELE-0673	19	STM-0128	28	HDW-1081
6	CTR-0118	11	STM-0470	20	ELE-0913	29	HDW-0456
	CTR-0136	12	ELE-0969	21	CTR-0014		
	CTR-0135	13	ELE-0380	22	HDW-0182		
7	ELE-1072 10F3	14	MPG-0020	23	HDW-0925		

LEFT CABINET ASSEMBLY



* Left & right cabinet assembly parts list on page 23

RIGHT CABINET ASSEMBLY



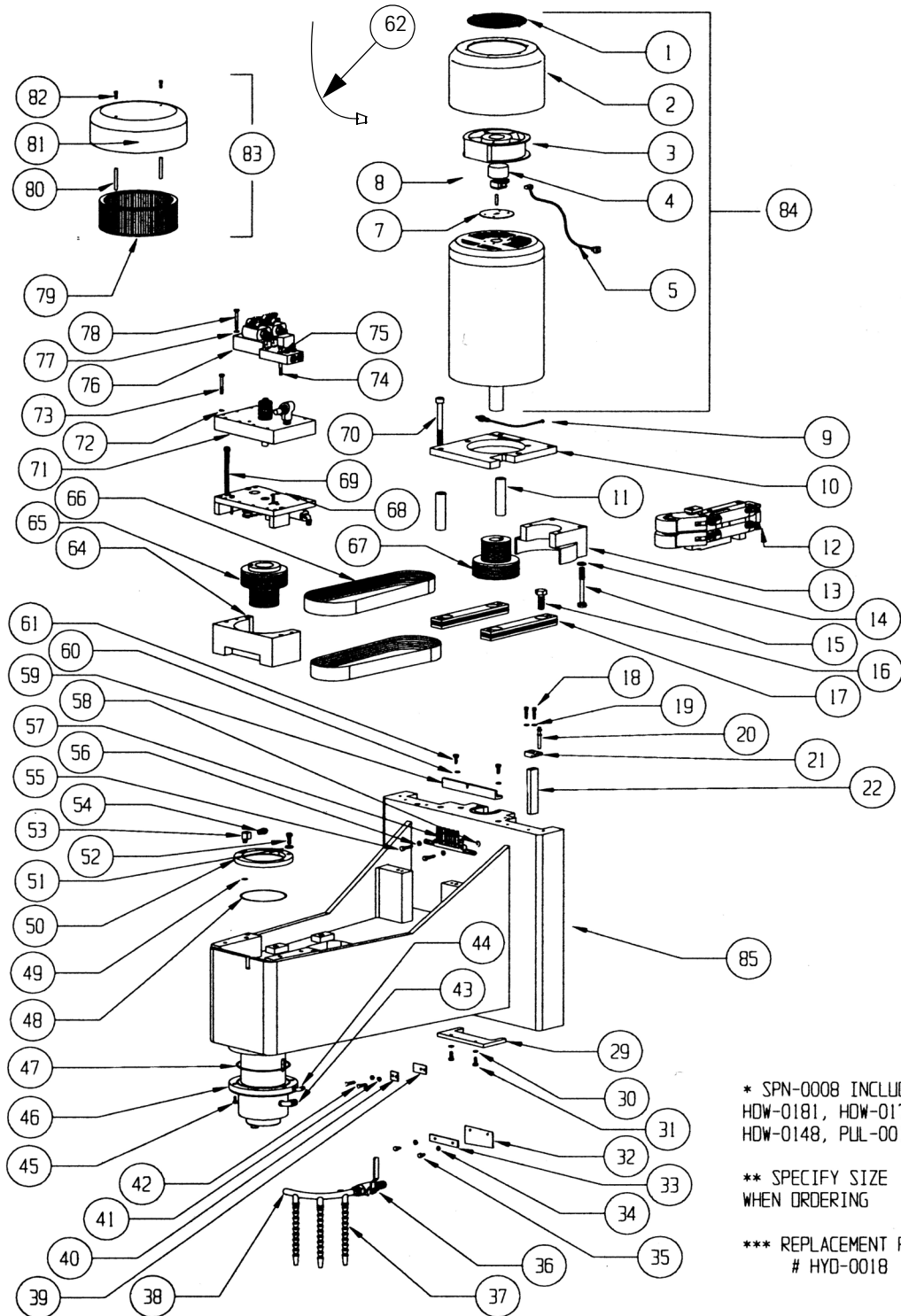
* Left & right cabinet assembly parts list on page 23

LEFT & RIGHT CABINET ASSEMBLY

LEFT & RIGHT CABINET ASSEMBLY

	PART #		PART #		PART #		PART #
1	HDW-0346	11	HDW-0948	21	HDW-0442	31	STM-0711
2	STM-0698	12	STM-0693	22	HDW-0952	32	STM-0694
3	STM-0692	13	HDW-0766	23	STM-0706	33	STM-0712
4	HDW-0543	14	HDW-0281	24	CNT-0165	34	
5	HDW-0451	15	STM-0705	25	CNT-0167	35	HDW-1002
6	HDW-0975	16	HDW-0931	26	CNT-0166	36	STM-0548
7	STM-0708	17	HDW-0314	27	HDW-0947	37	STM-0716
8	CVR-0197	18	HDW-0640	28	STM-0707	38	STM-0702
9	STM-0699	19	STM-0709	29	HDW-0349	39	LBL-0291
10	STM-0710	20	CVR-0199	30	STM-0700		

10K HEAD ASSEMBLY



* SPN-0008 INCLUDES
 HDW-0181, HDW-0177
 HDW-0148, PUL-0018

** SPECIFY SIZE
 WHEN ORDERING

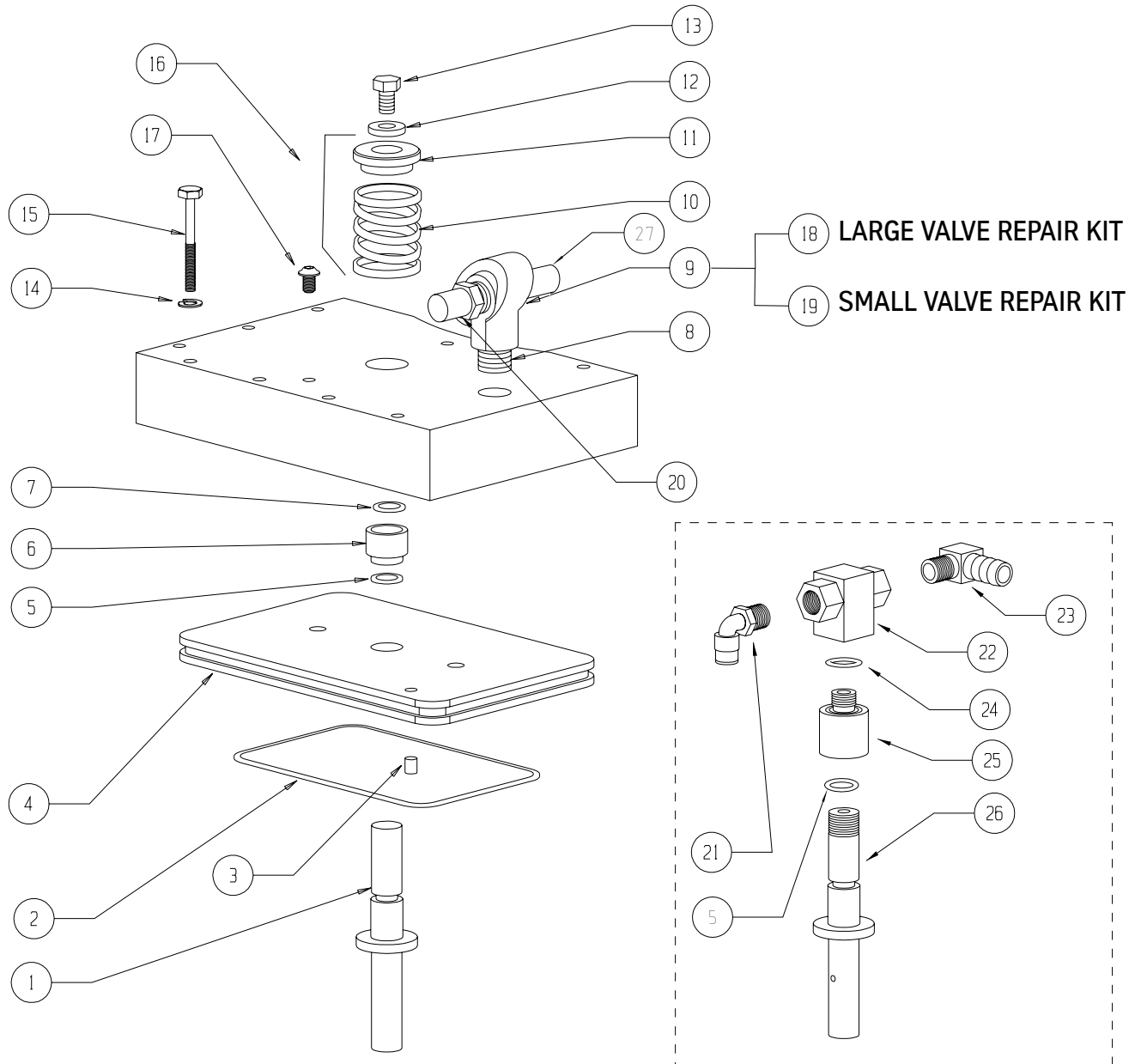
*** REPLACEMENT P
 # HYD-0018

10K HEAD ASSEMBLY

10K HEAD ASSEMBLY

	PART #		PART #		PART #
1	HDW-0851	30	HDW-0279	59	PA-14354
2	STM-0139	31	HDW-0322	60	HDW-0279
3	ELE-0124	32	HDW-0356	61	HDW-0322
4	MTR-0123	33	STM-0052	62	WIR-0128
5	HDW-0168	34	HDW-0279	63	
6		35	HDW-0319	64	BEL-0014
7	STM-0148	36	VLV-0017	65	PUL-0018
8	ENC-0007	37	PLM-0016	66	BEL-0003
9	HDW-0370	38	CNT-0039	67	PUL-0019
10	MTR-0069	39	HDW-0355	68	ORB-0001
11	MTR-0149	40	STM-0042	69	HDW-0290
12	IDL-0003	41	HDW-0279	70	HDW-0284
13	BEL-0015	42	HDW-0294	71	DRB-0000
14	HDW-0451	43	PLM-0112	72	HDW-0279
15	HDW-0311	44	PLM-0034	73	HDW-0320
16	HDW-0283	45	HDW-0470	74	HDW-0321
17	MTR-0068	46	SPN-0008	75	HDW-0279
18	HDW-0294	47	HDW-0181	76	HYD-0017
19	HDW-0279	48	HDW-0148	77	HDW-0279
20	GIB-0013	49	HDW-0177	78	HDW-0320
21	GIB-0010	50	SPN-0042	79	MTR-0127
22	GIB-0001	51	HDW-0275	80	SVT-0108
23		52	HDW-0568	81	STM-0467
24		53	PLM-0075	82	HDW-05997
25		54	PLM-0088	83	MTR-0128
26		55	HDW-0576	84	MTR-0047
27		56	HDW-0279	85	PA-14321
28		57	LUB-0045		
29	CVR-0048	58	HDW-0047		

10K DRAWBAR ASSEMBLY



Non-Coolant Thru Assembly DRB-0000

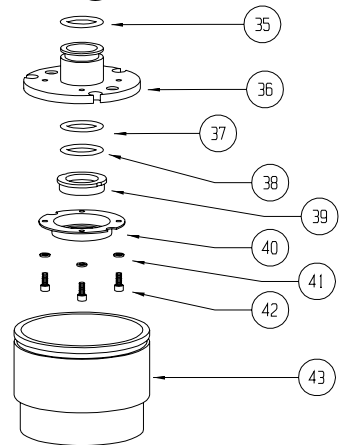
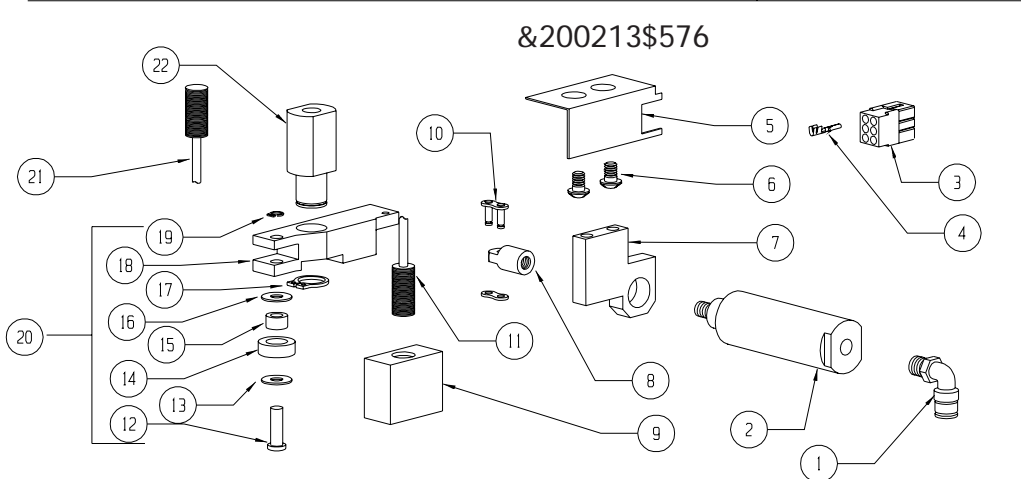
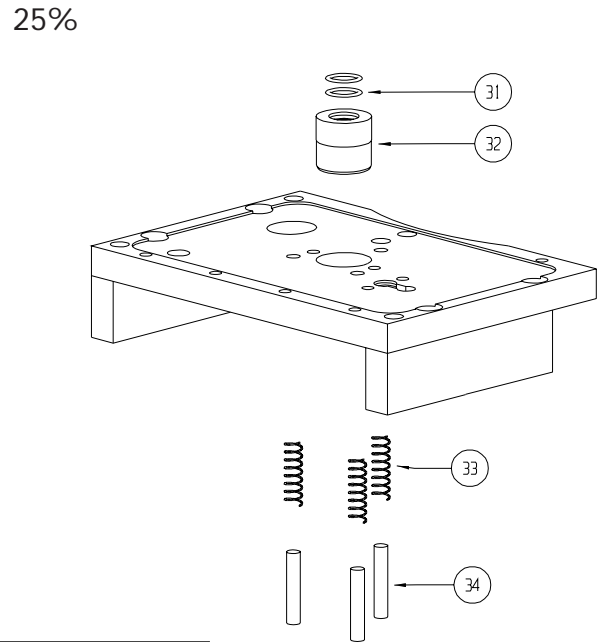
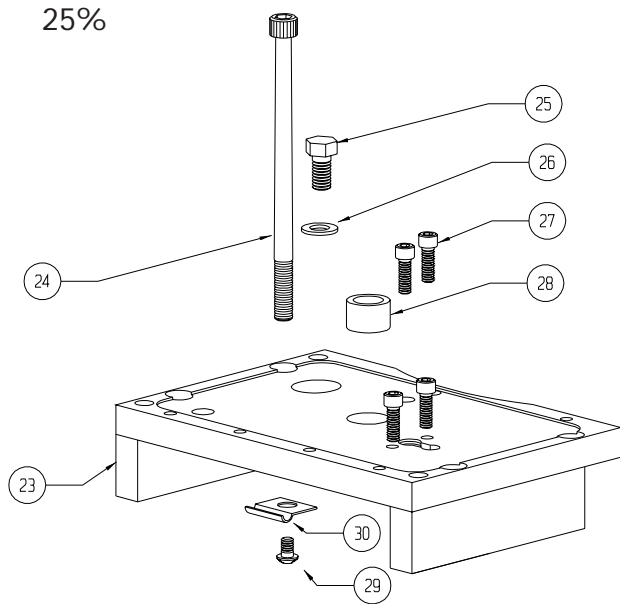
Coolant Thru Assembly DRB-0001

10K DRAWBAR ASSEMBLY

10K DRAWBAR ASSEMBLY

	PART #		PART #		PART #		PART #
1	DRB-0007	8	PLM-0117	15	HDW-0320	22	VLV-0021
2	HDW-0178	9	VLV-0031	16	HDW-0197	23	PLM-0105
3	ELE-0147	10	HDW-0262	17	HDW-0347	24	HDW-0150
4	DRB-0009	11	DRB-0017	18	VLV-0032	25	CNT-0046
5	HDW-0177	12	HDW-0048	19	VLV-0033	26	DRB-0008
6	DRB-0023	13	HDW-0575	20	PLM-0083	27	PLM-0030
7	HDW-0917	14	HDW-0279	21	PLM-0037		

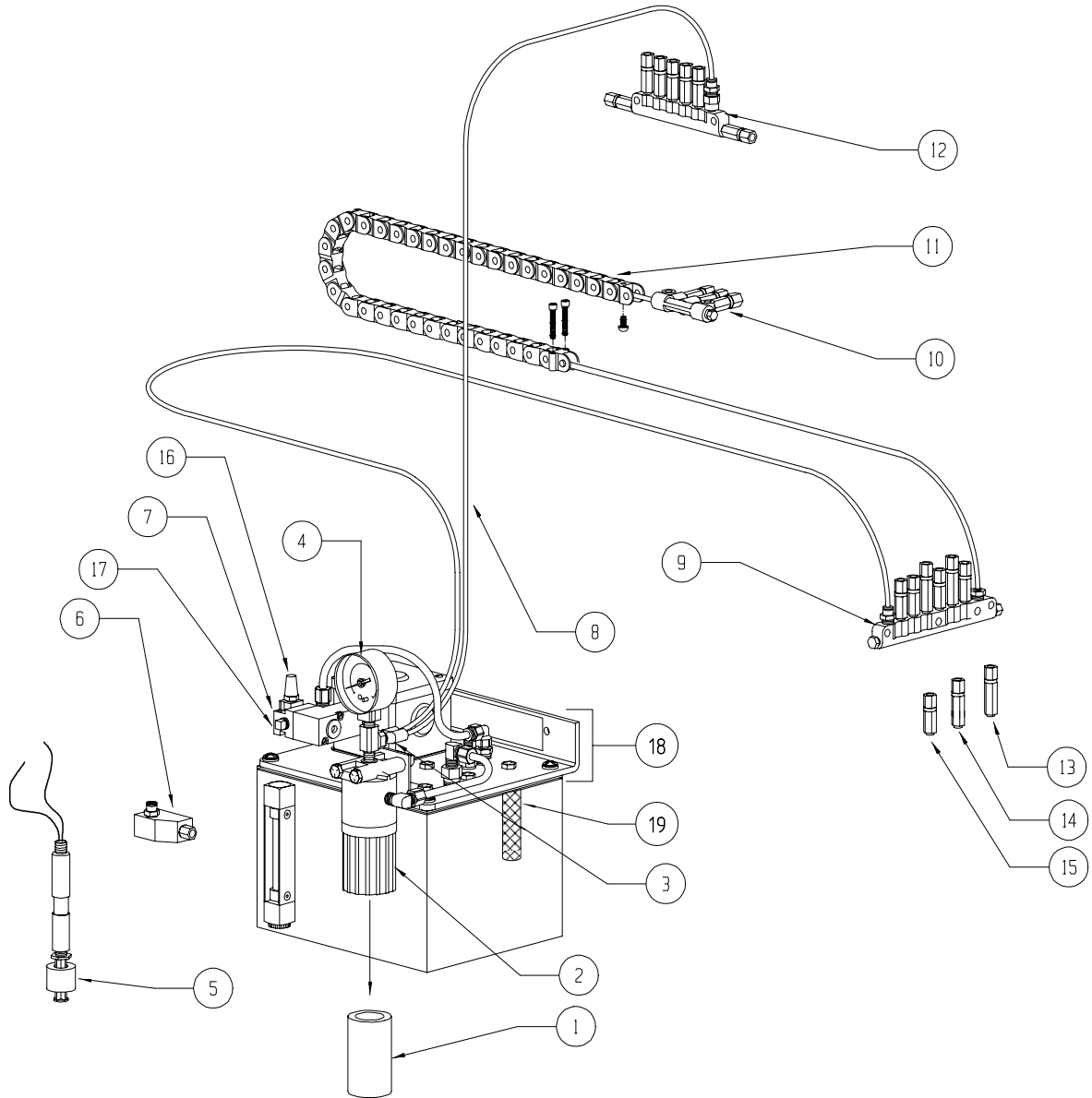
ORIENTATION BRIDGE ASSEMBLY



ORIENTATION BRIDGE ASSEMBLY

	PART #		PART #		PART #		PART #
1	PLM-0034	12	ORB-0007	26	HDW-0048	39	CNT-0033
2	CYL-0007	13	HDW-0515	27	HDW-0298	40	CNT-0045
3	WIR-0051	14	ORB-0009	28	BRG-0008	41	HDW-0453
4	WIR-0043 (16 AWG)	15	BRG-0014	29	HDW-0349	42	HDW-0308
	WIR-0044 (16 AWG)	16	HDW-0515	30	LUB-0077	43	STM-0158
	WIR-0544 (22 AWG)	17	HDW-0725		LUB-0078		
	WIR-0056 (22 AWG)	18	ORB-0031	31	HDW-0150		
5	STM-0596	19	HDW-0726	32	CNT-0042		
6	HDW-0347	20	ORB-0004	33	HDW-0257		
7	ORB-0030	21	ELE-0145	34	HDW-0326		
8	ORB-0011	22	ORB-0013	35	HDW-0156		
9	ORB-0014	23	ORB-0008	36	CNT-0041		
10	HDW-0209	24	HDW-0285	37	HDW-0155		
11	ELE-0145	25	HDW-0571	38	HDW-0156		

WAY LUBE ASSEMBLY



WAY LUBE ASSEMBLY

WAY LUBE ASSEMBLY

	PART #		PART #		PART #
1	LUB-0049	8	PLM-0022	15	LUB-0083
2	LUB-0050	9	LUB-0041	16	PLM-0084
3	PLM-0048	10	LUB-0044	17	PLM-0036
4	REG-0018	11	CVR-0041	18	LUB-0038
5	LUB-0036	12	LUB-0045	19	HDW-1039
6	LUB-0051	13	LUB-0085		
7	VLV-0028	14	LUB-0084		

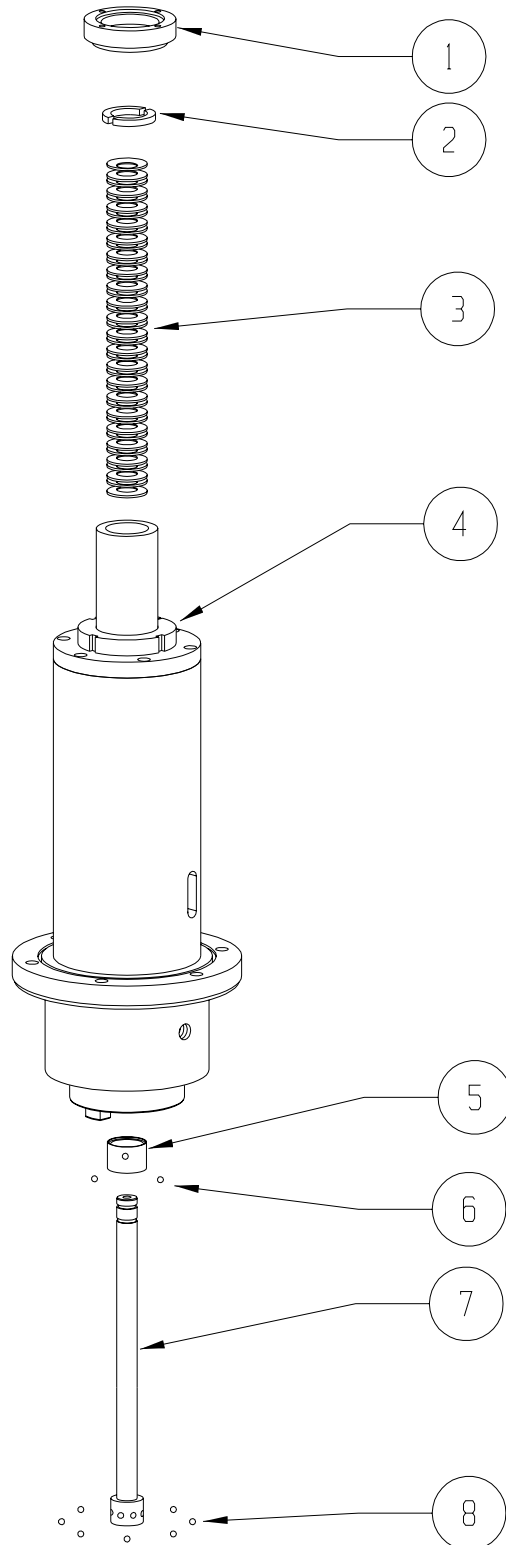
7500 RPM SPINDLE

7500 RPM SPINDLE ASSEMBLY

	PART #
1	SPN-0079
2	DRB-0019
3	HDW-0195
4	SPN-0084
5	DRB-0004
6	BRG-0005
7	DRB-0028 ⁽¹⁾
8	BRG-0005
ASSY SPN-0037 ⁽²⁾	

¹Not sold individually. Sold as assembly DRB-0030 (includes DRB-0028 and SPN-0079)

²Assembly includes all parts listed on this page plus PUL-0025



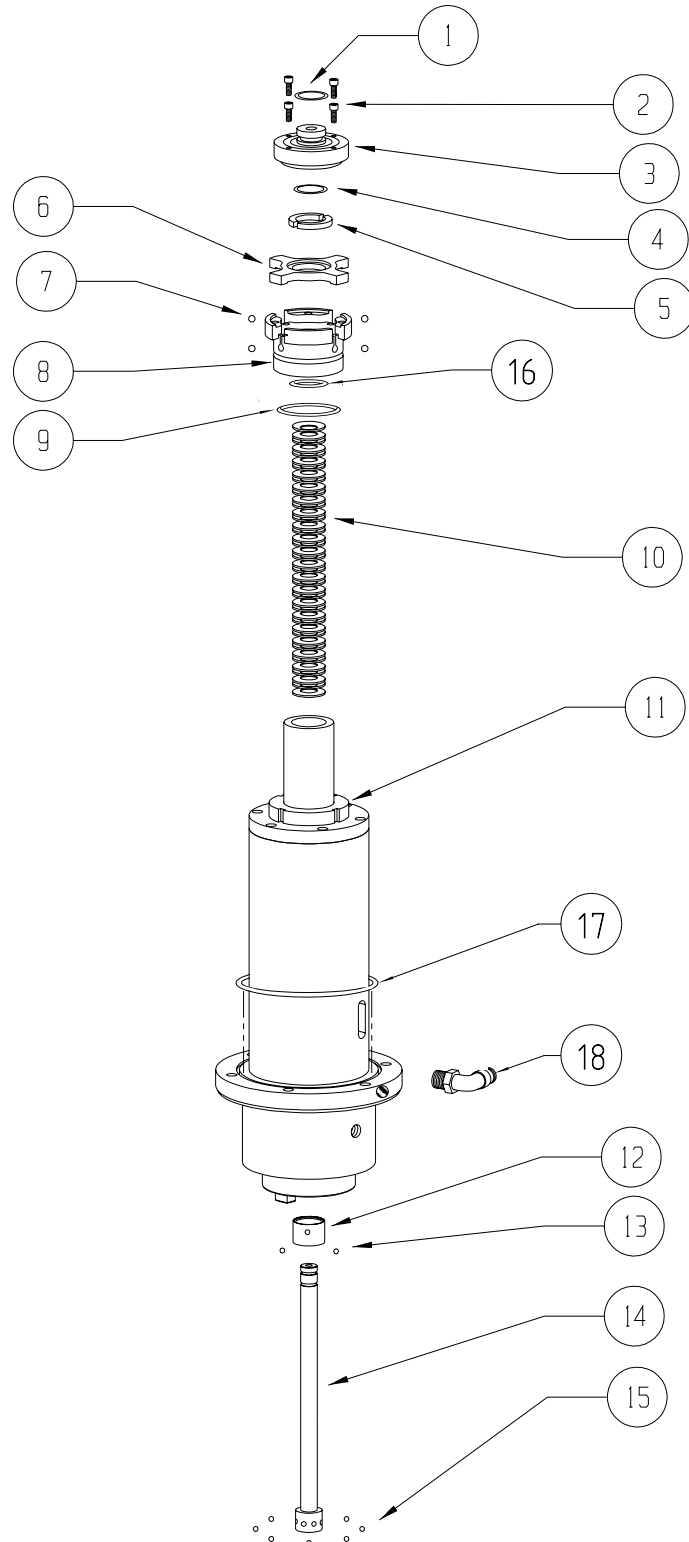
10K RPM SPINDLE

10,000 RPM SPINDLE ASSEMBLY

	PART #
1	HDW-0177
2	HDW-0307
3	DRB-0015
4	HDW-0180
5	DRB-0019
6	DRB-0014
7	BRG-0004
8	DRB-0016
9	HDW-0158
10	HDW-0195
11	SPN-0084
12	DRB-0004
13	BRG-0005
14	DRB-0026 ⁽¹⁾
15	BRG-0005
16	HDW-0155
17	HDW-0181
18	PLM-0034
ASSY SPN-0007 ⁽²⁾	

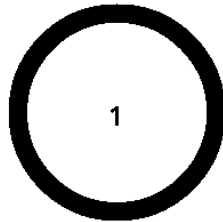
¹Not sold separately. Sold with assembly DRB-0003 (includes pieces 1-9, 14 & 15).

²Assembly includes all parts listed on this page plus PUL-0020.



COOLANT THROUGH SPINDLE

CNT-0015, Coolant-thru Seal Conversion Kit
 CNT-0150, Seal Repair Kit



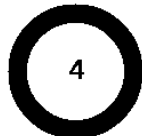
1
HDW-0158



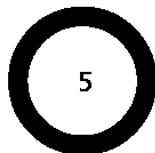
2
HDW-0177



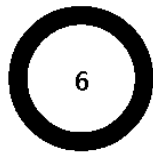
3
HDW-0150



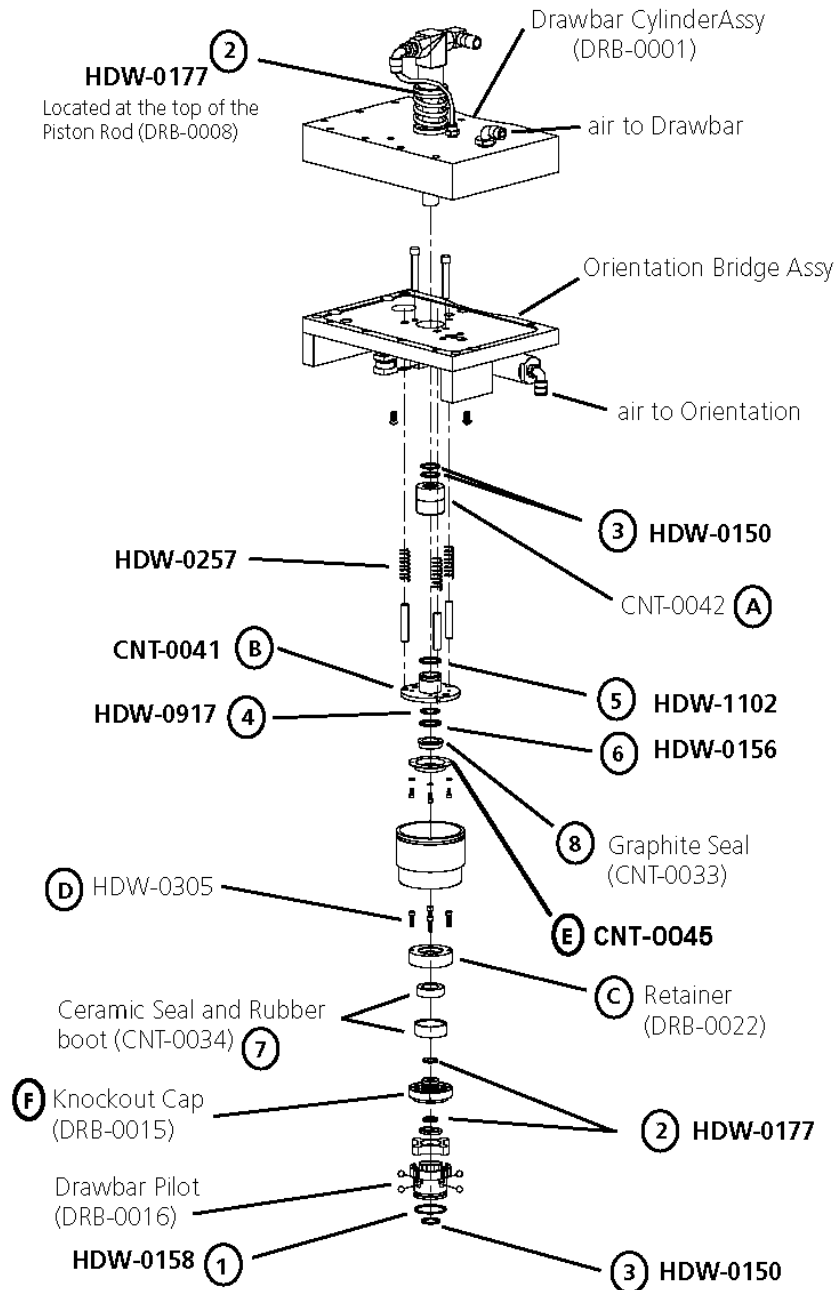
4
HDW-0917



5
HDW-1102

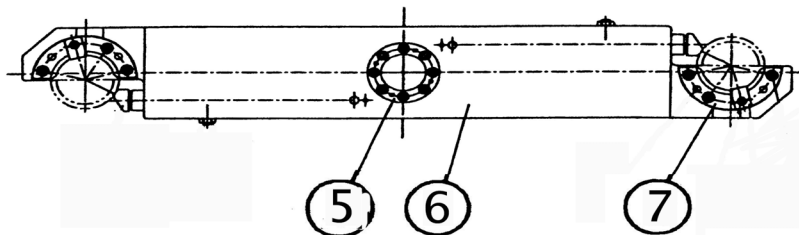
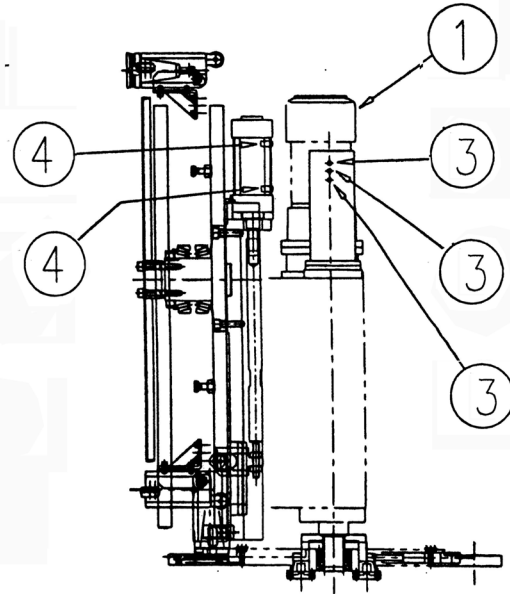
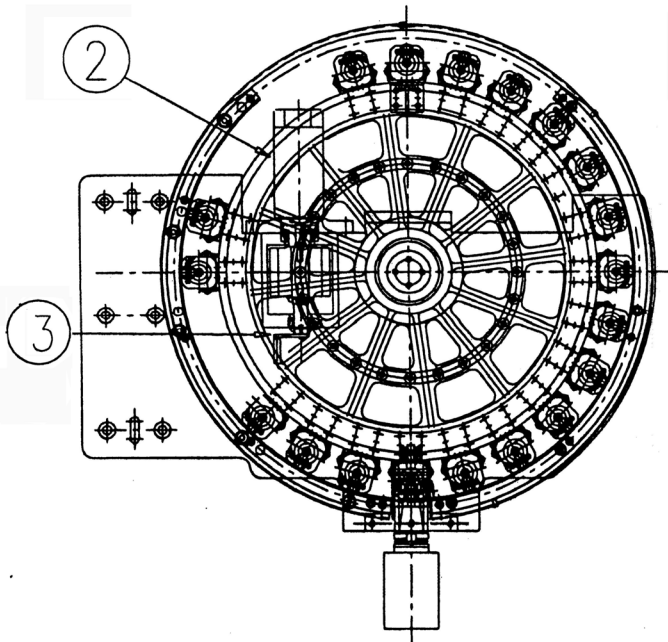


6
HDW-0156



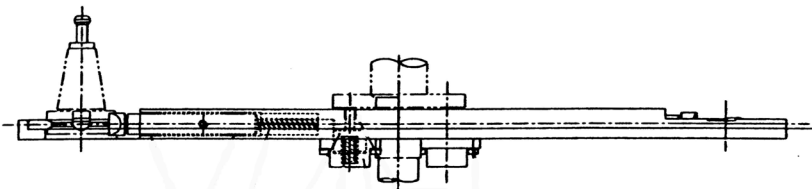
CNT-0150 O'RINGS AND SEALS ONLY (1-8)
 CNT-0015 FOR CONVERTING OLDER MODELS (1-8
 AND A-F)

DUAL ARM TOOL CHANGER

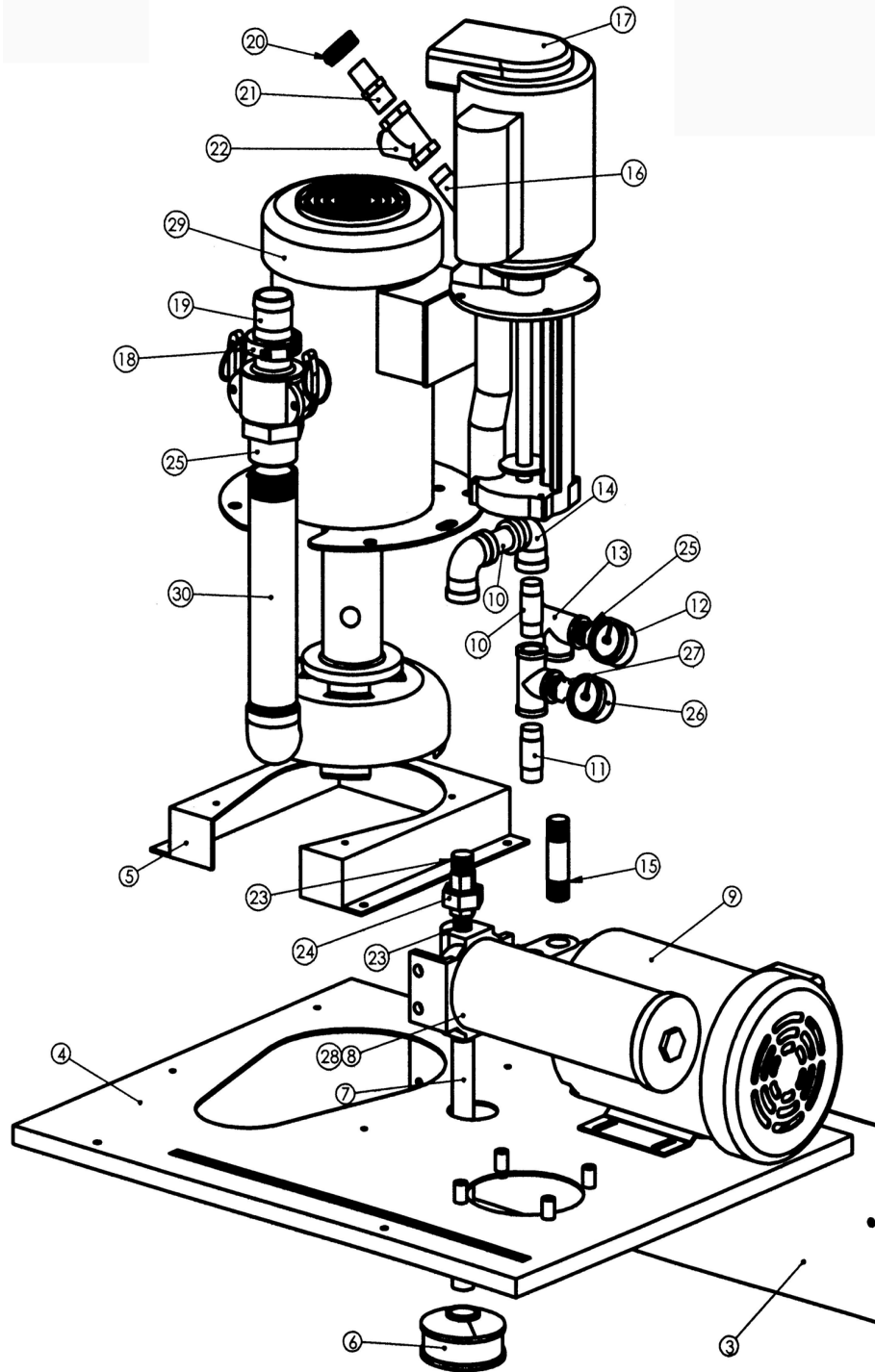


DUAL ARM TOOL CHANGER

	PART #
1	MTR-0181
2	MTR-0180
3	ELE-1185
4	ELE-1186
5	ATC-0155
6	ATC-0164
7	(BT) ATC-0163
7	(BT) ATC-0165



COOLANT TANK ASSEMBLY

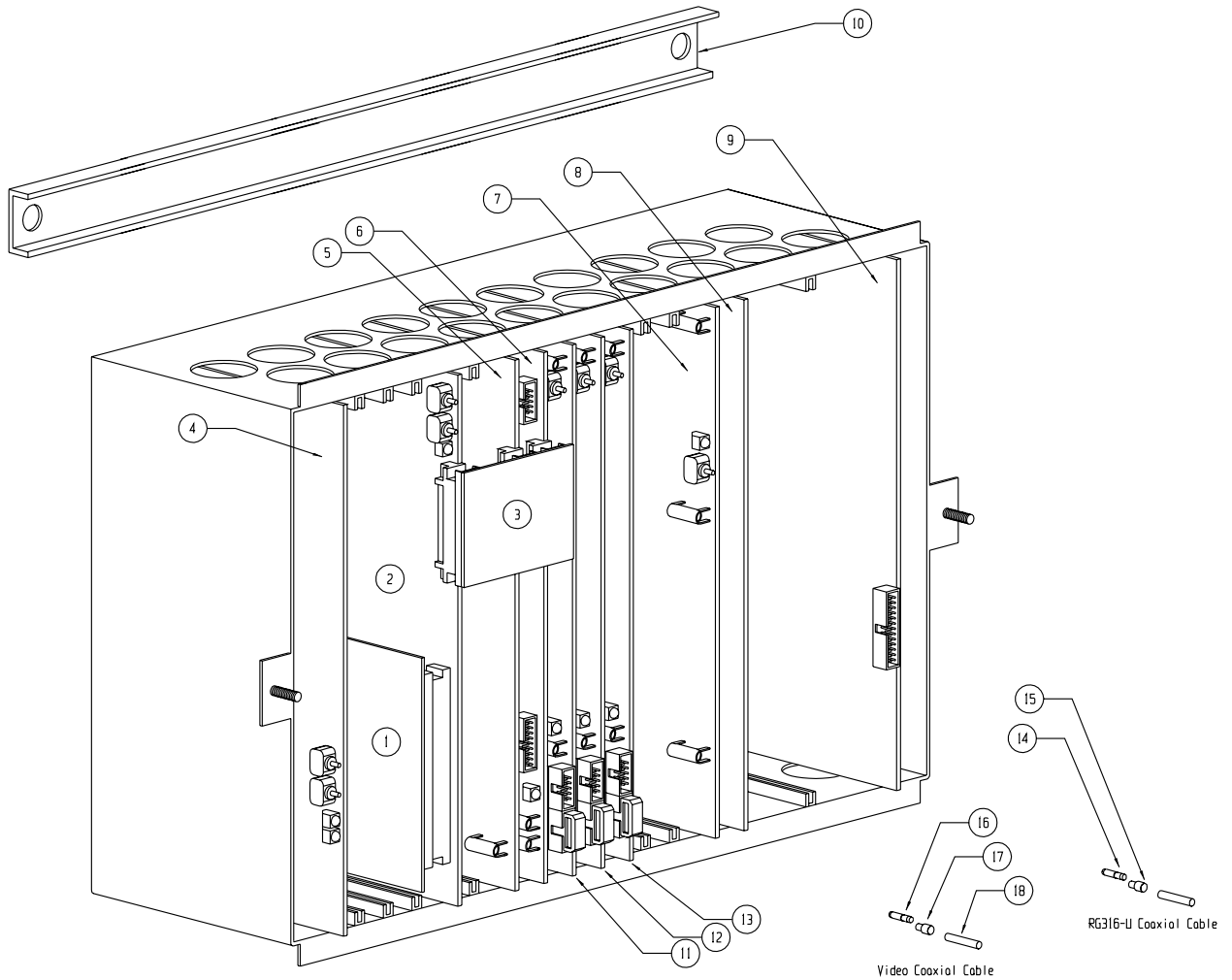


COOLANT TANK ASSEMBLY

COOLANT TANK ASSEMBLY

	PART #		PART #		PART #		PART #
1		9	PMP-0008	17	PMP-0017	25	PLM-0217
2		10	PLM-0060	18	HDW-0764	26	PLM-0216
3		11	PLM-0094	19	PLM-0021	27	REG-0034
4		12	REG-0018	20	HDW-0252	28	CNT-0029
5	STM-1023	13	PLM-0089	21	PLM-0076	29	PMP-0010
6	CNT-0025	14	PLM-0067	22	VLV-0018	30	PLM-0065
7	PLM-0233	15	PLM-0214	23	PLM-0091		
8	CNT-0027	16	PLM-0007	24	PLM-0212		

CARD CAGE ASSEMBLY



CARD CAGE ASSEMBLY

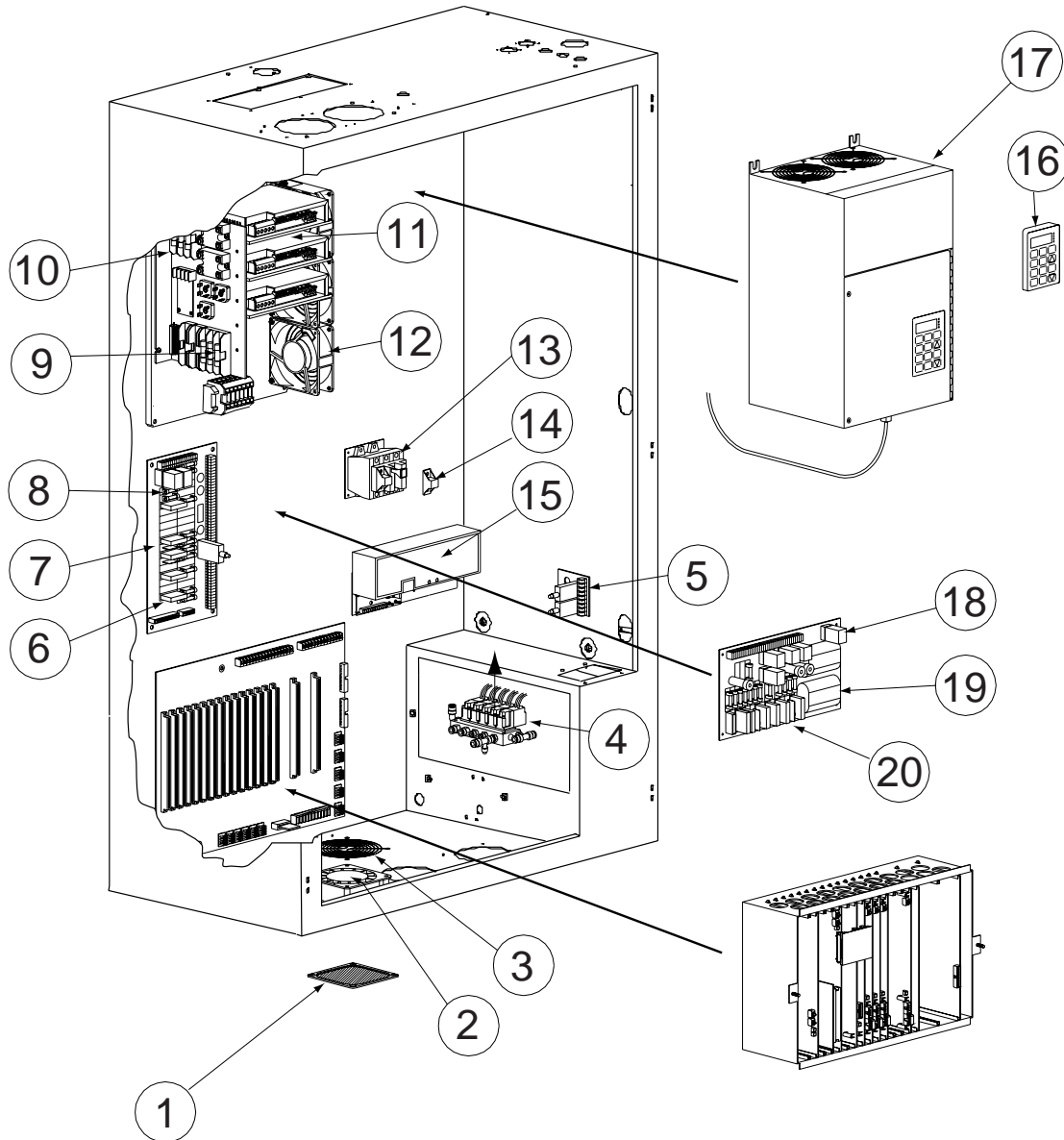
CARD CAGE ASSEMBLY PARTS

	PART #		PART #
1	PCB-0094	8	PCB-0000
2	PCB-0030	9	PCB-0009
3	PCB-0053	10	STM-0029
4	PCB-0045	11	WIR-0040
5	PCB-0032 (88HS)	12	WIR-0041
	PCB-0033 (32MP)	13	WIR-0038
6	PCB-0003	14	WIR-0039
7	PCB-0141	15	WIR-0086

SLOTS & BOARDS

SLOT	BOARD #	SLOT	BOARD #
1	PCB-0045	10	PCB-0037
2		11	PCB-0037
3		12	
4		13	
5	PCB-0030	14	PCB-0141
6		15	PCB-0000
7		16	PCB-0008
8	PCB-0003	17	PCB-0005
9	PCB-0037		

CNC CABINET

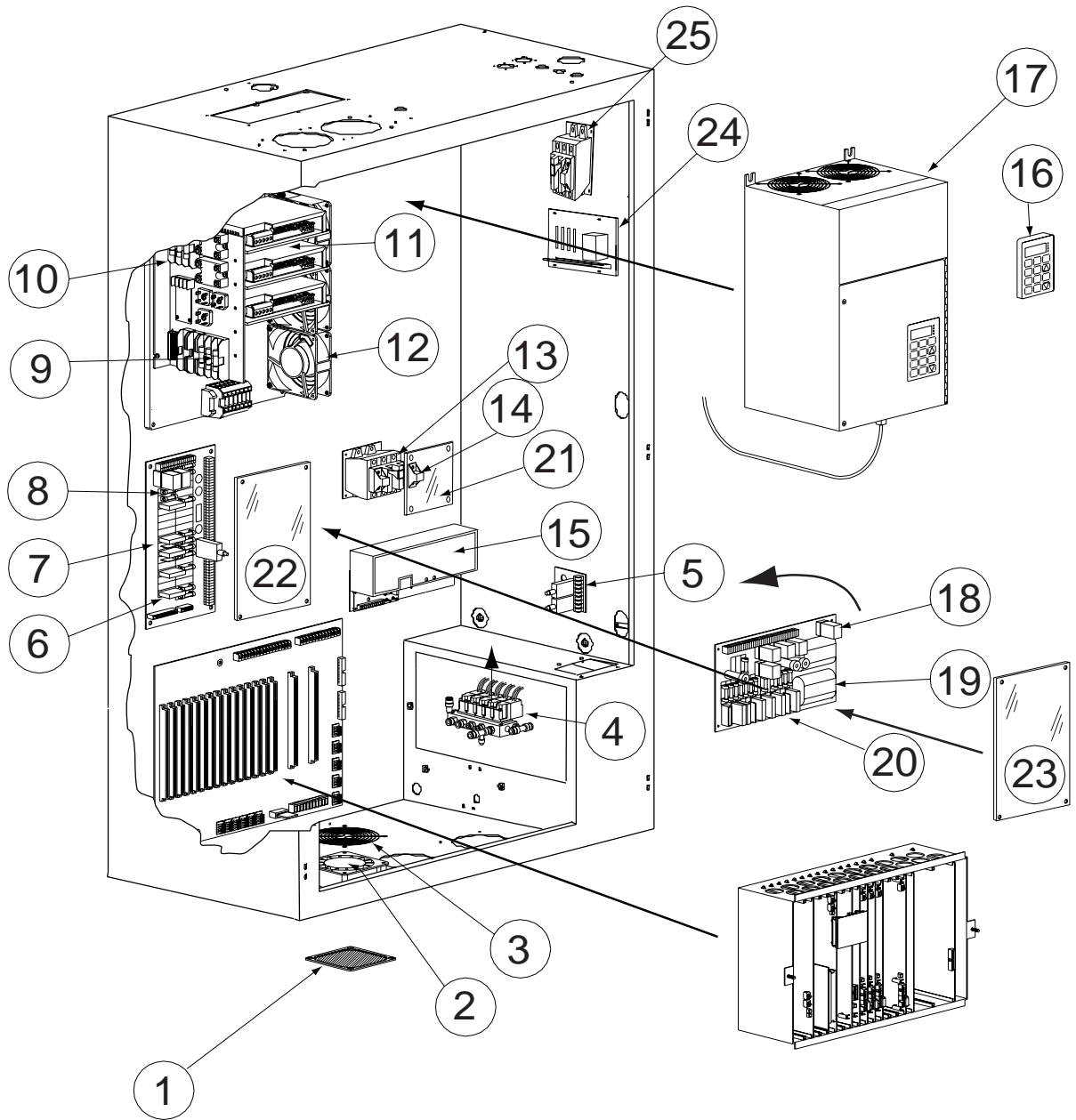


CNC CABINET

CNC CABINET

	PART #		PART #
1	HDW-0849	11	AMP-0036
2	ELE-0123	12	ELE-0123
3	HDW-0850	13	ELE-0132
4	VLV-0054	14	ELE-0138
5	PCB-0046	15	ELE-0961
6	ELE-0070	16	INV-0017 (BALDOR)
7	PCB-0194	17	INV-0056 (AMC)
8	ELE-0101		INV-0020 (HT)
9	ELE-0840		INV-0020 (HT)
10	ELE-0837	18	ELE-0072
		19	PCB-0195
		20	ELE-0070

CE CNC CABINET

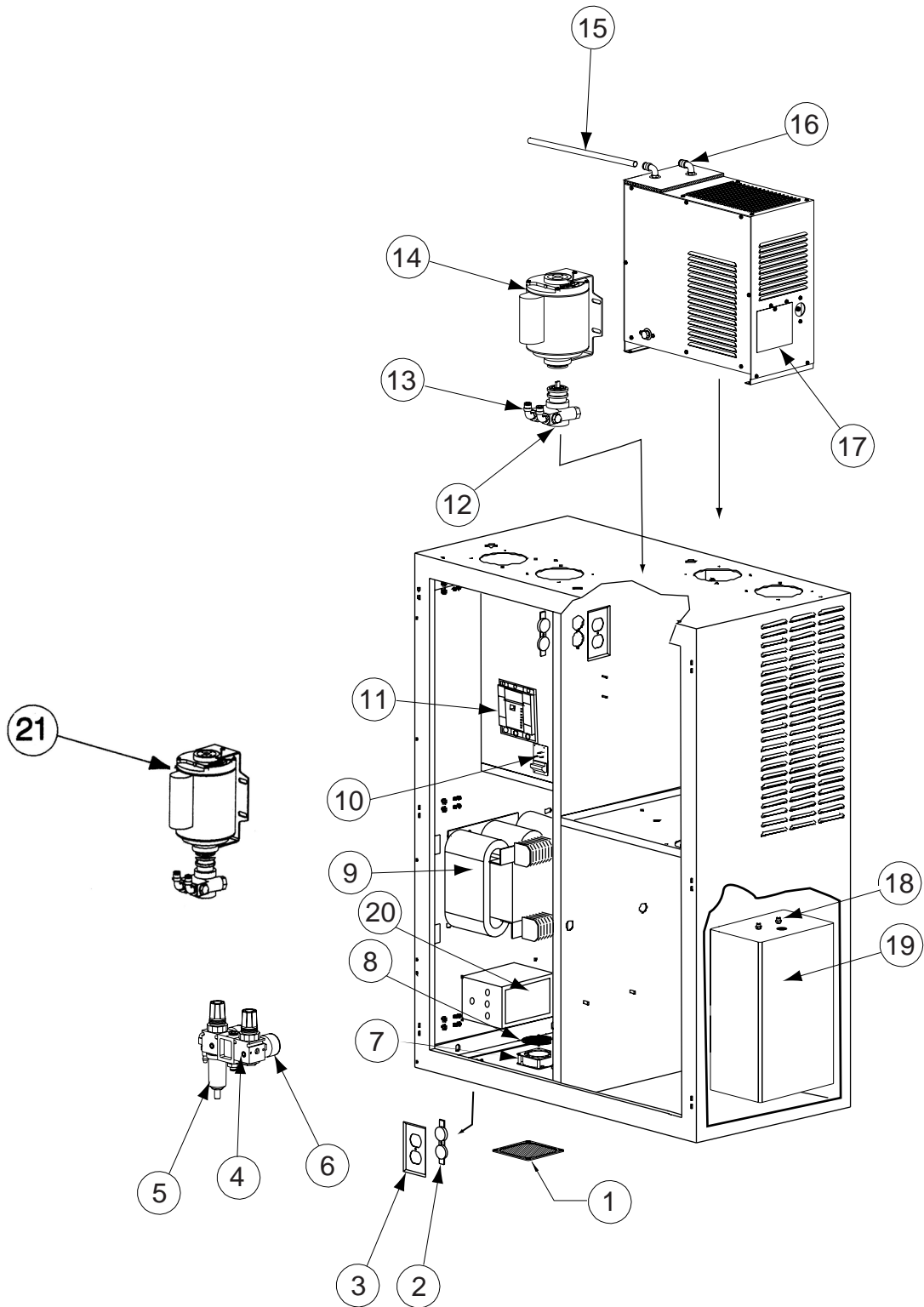


CE CNC CABINET

CE CNC CABINET

	PART #		PART #		PART #
1	HDW-0849	13	ELE-0132	24	PCB-0196
2	ELE-0123	14	ELE-0138	25	ELE-1025
3	HDW-0850	15	ELE-0961		
4	VLV-0054	16	INV-0017 (BALDOR)		
5	PCB-0046	17	INV-0056 (AMC)		
6	ELE-0070		INV-0041 (BALDOR)		
7	PCB-0194	18	ELE-0072		
8	ELE-0101	19	PCB-0195		
9	ELE-0840	20	ELE-0070		
10	ELE-0837	21	ELE-0349		
11	AMP-0036	22	ELE-0849		
12	ELE-0123	23	ELE-0848		

JUNCTION BOX



JUNCTION BOX

JUNCTION BOX

	PART #		PART #
1	HDW-0849	12	PMP-0000
2	WIR-0121	13	PLM-0042
3	WIR-0117	14	PMP-0029
4	REG-0009	15	PLM-0024
5	REG-0008	16	PLM-0042
6	REG-0005	17	CNT-0035
7	ELE-0123	18	PLM-0210
8	HDW-0850	19	CNT-0047
9	ELE-0200	20	ELE-0762*
10	PCB-0020	21	PMP-0034
11	ELE-0946		