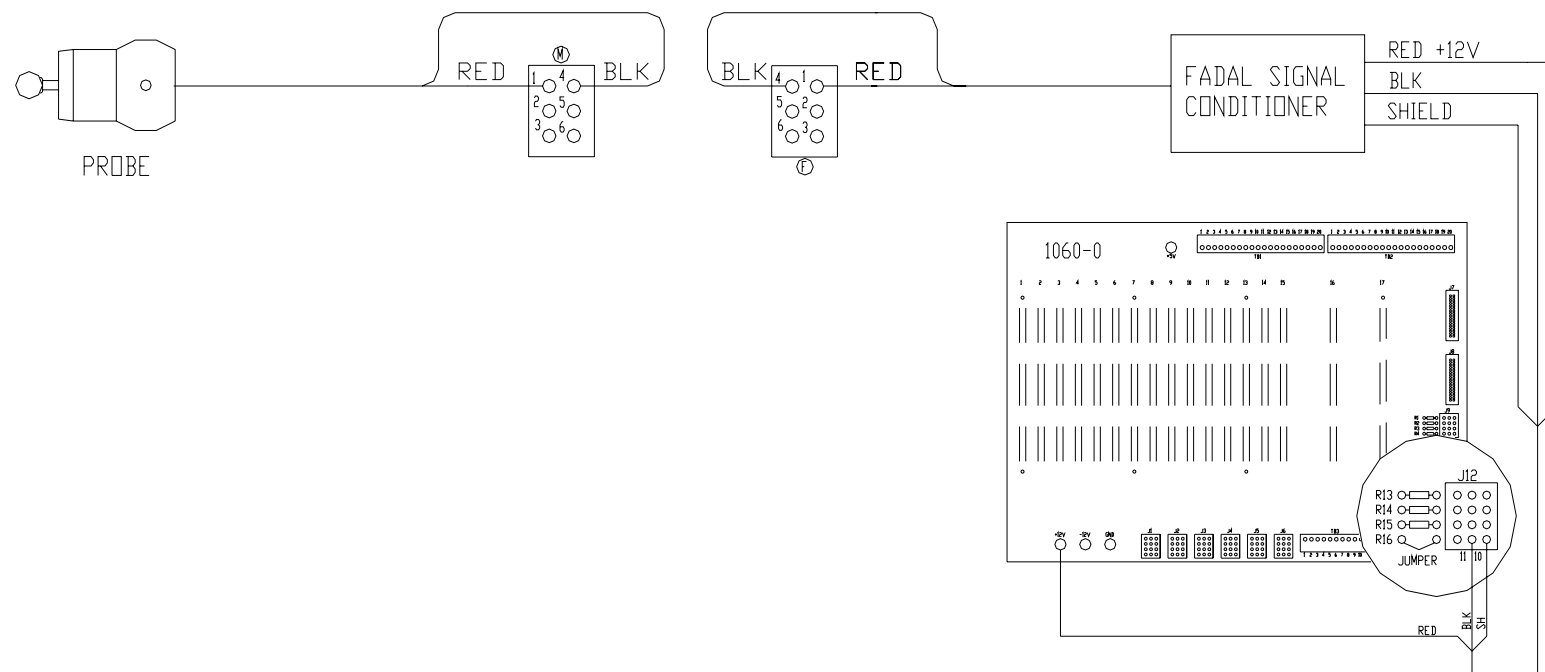
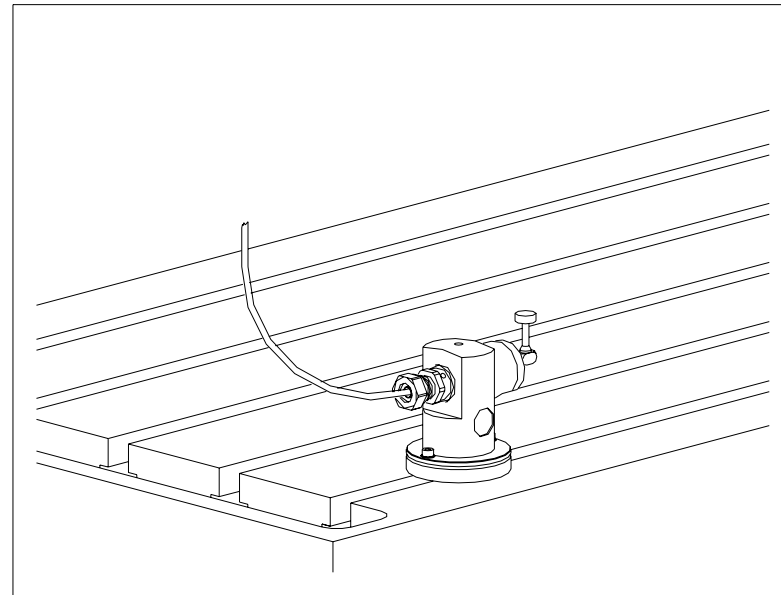


SECTION 4

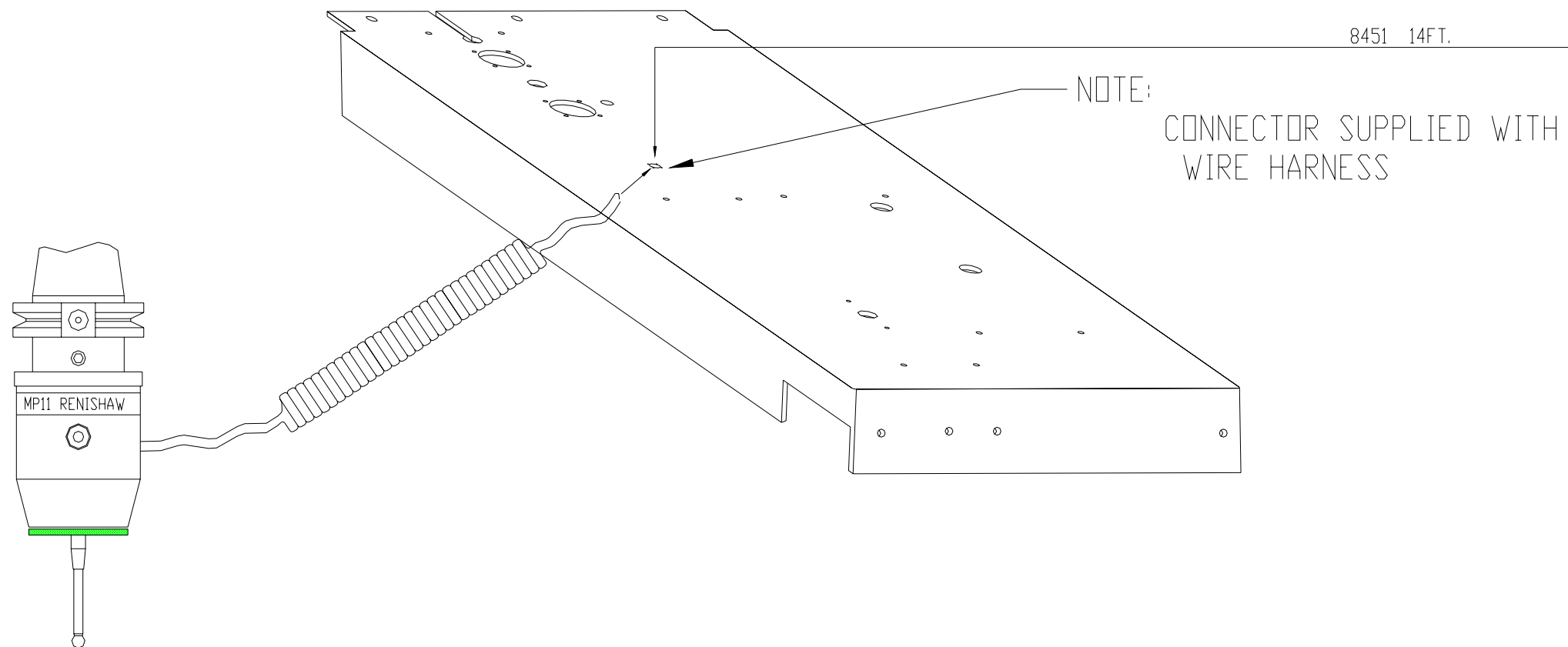
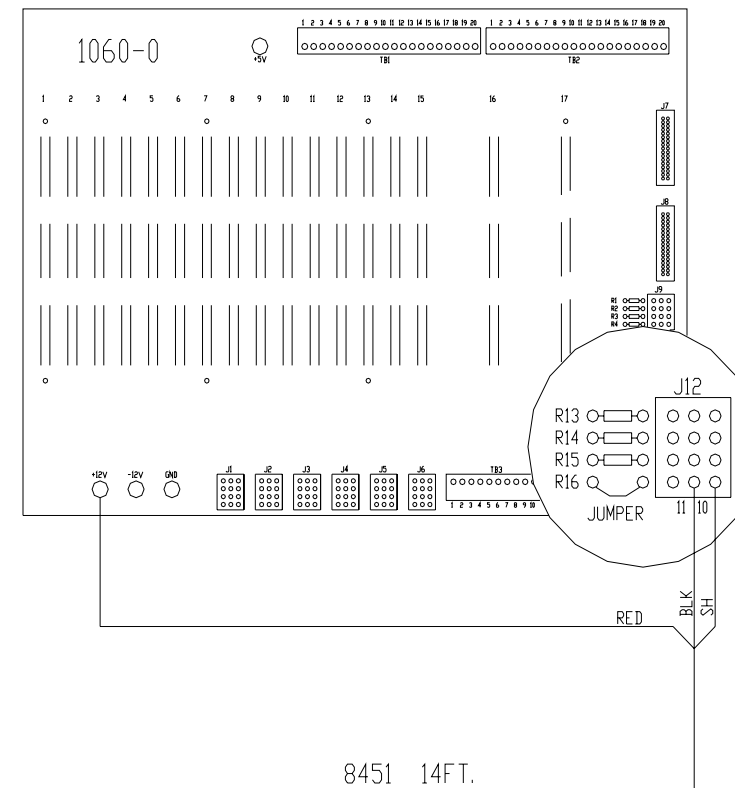
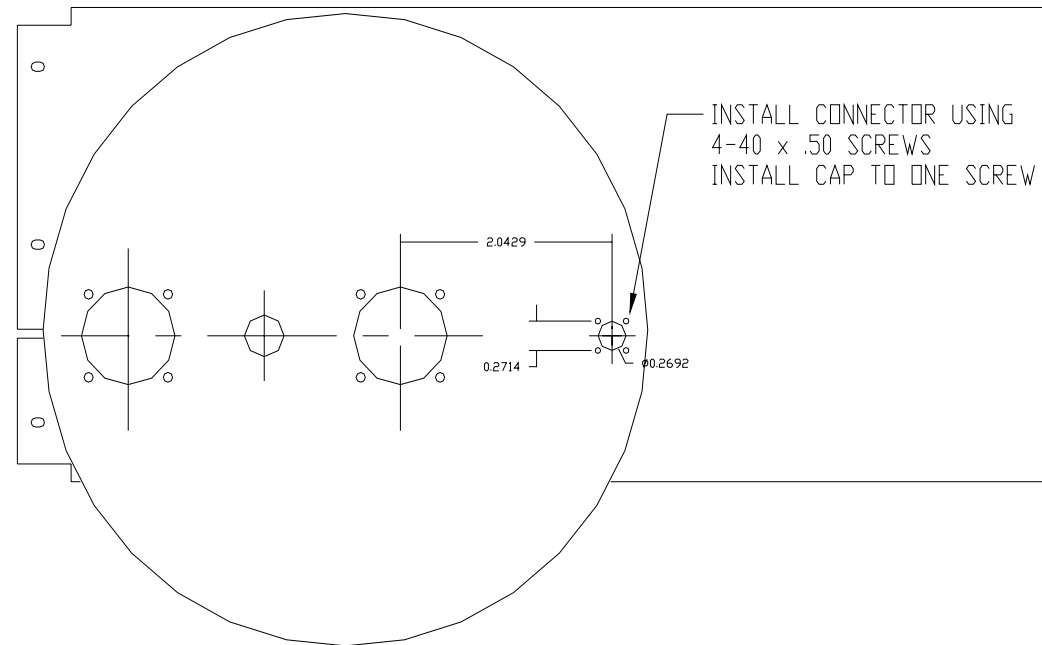
Probes / Scales

RENISHAW TS-27 INTERFACE

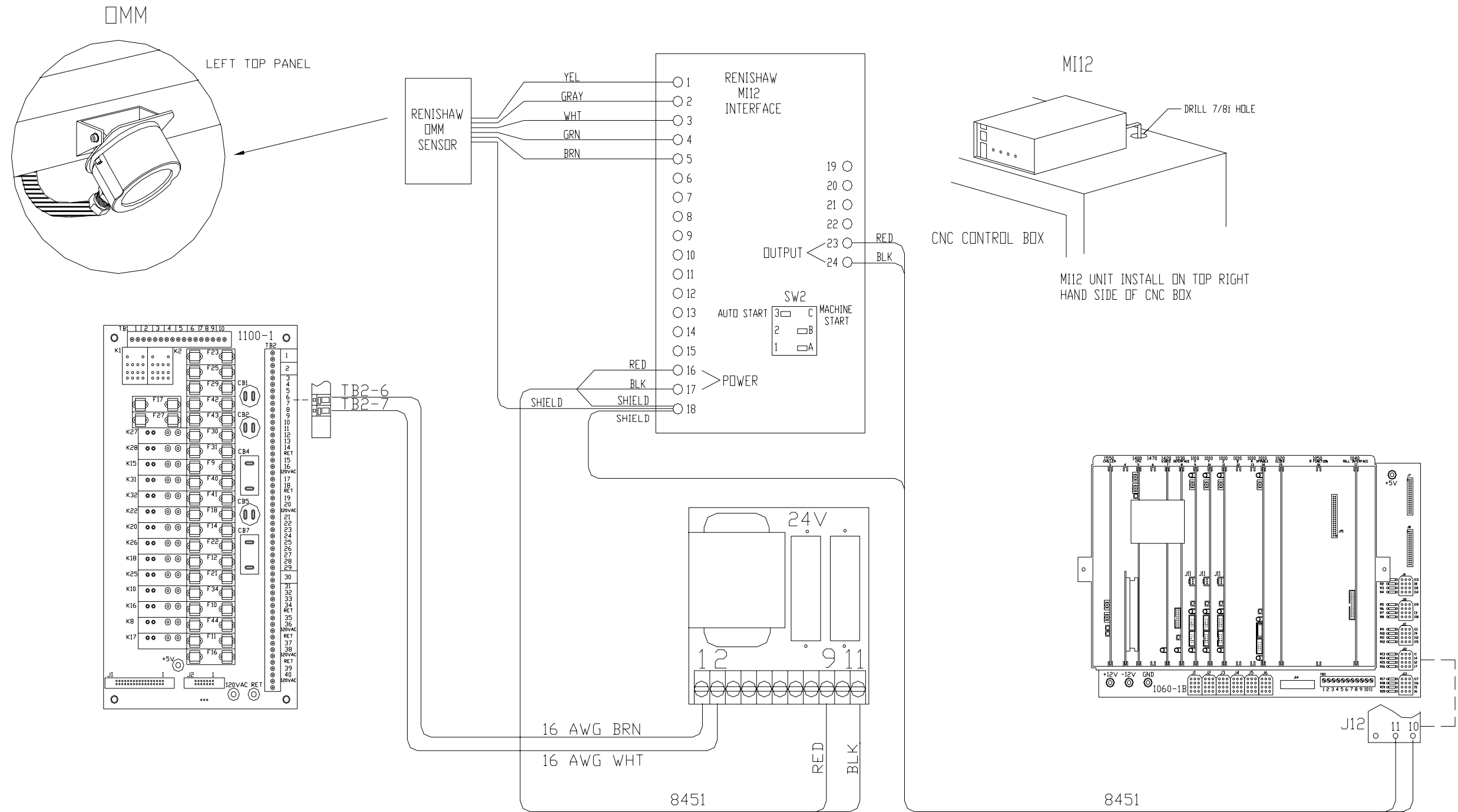


MP11 PROBE

TOP RIGHT PANEL



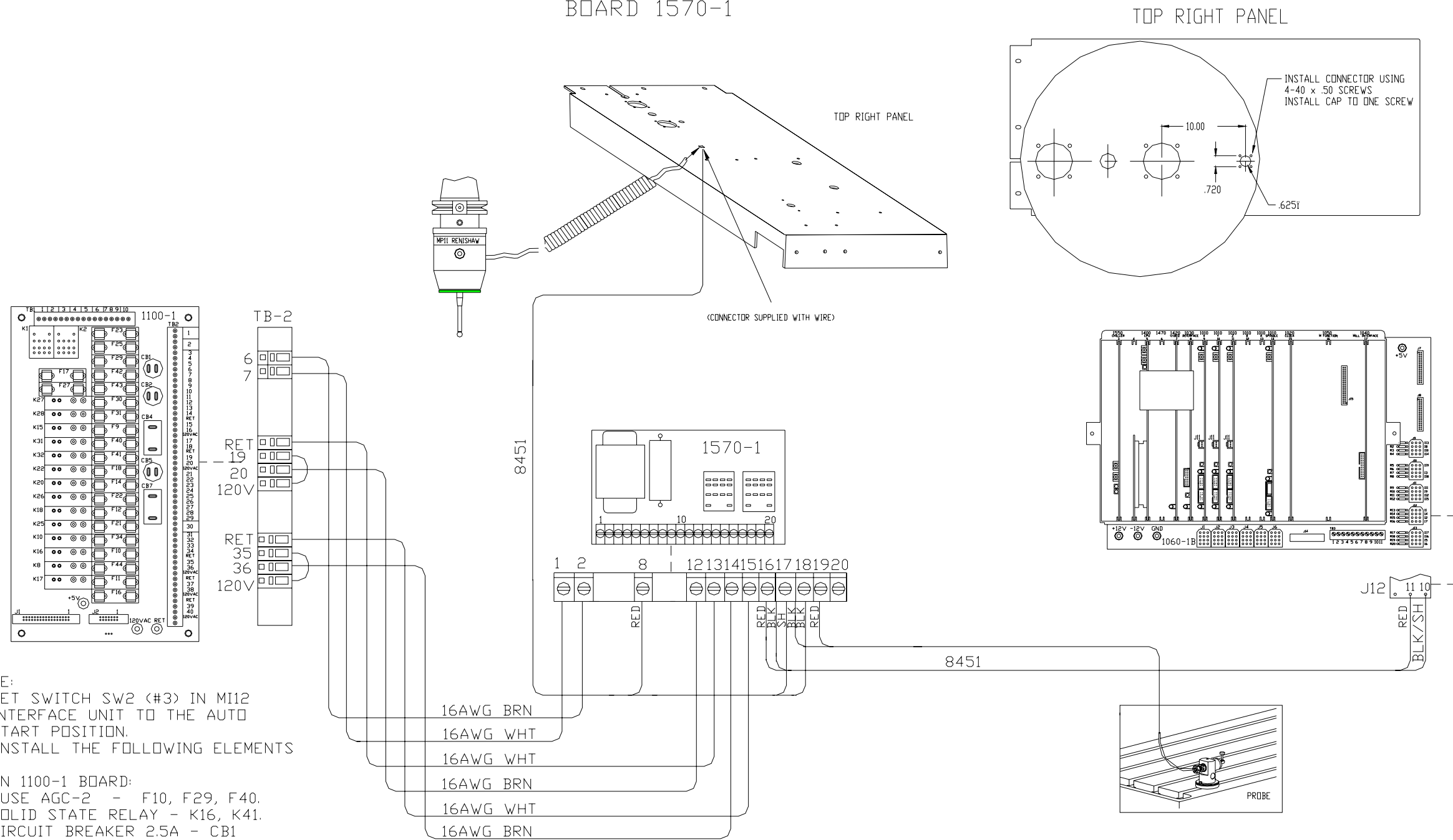
MP12 RENISHAW PROBE WITH
FADAL 24V POWER SUPPLY



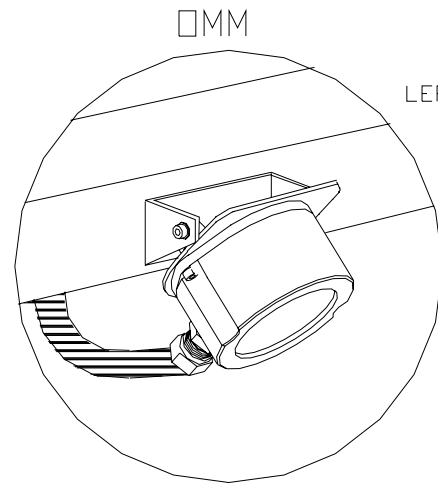
NOTE:

1. INSTALL FUSE F29 AGC 2 AND CIRCUIT BREAKER CB1 2.5A ON 1100-1 BOARD.
2. SET SWITCH SW2 (#3) IN MI12 INTERFACE UNIT TO THE AUTO START POSITION

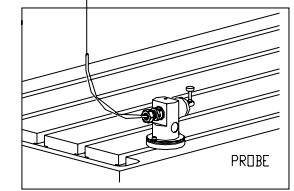
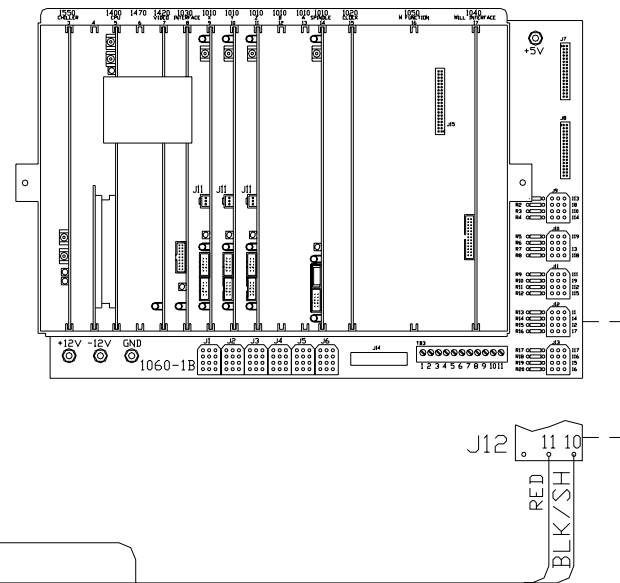
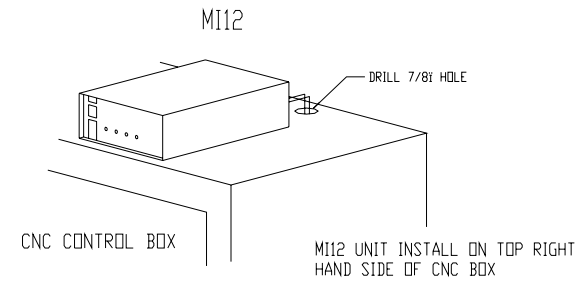
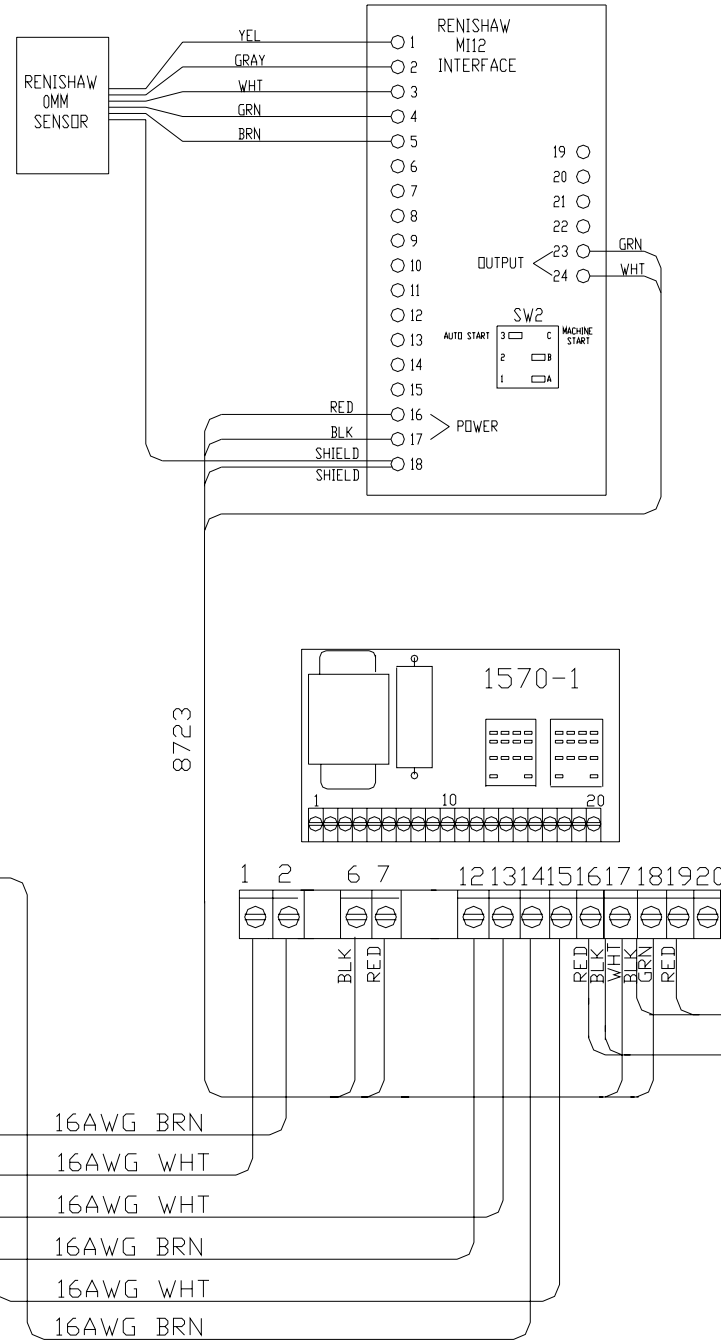
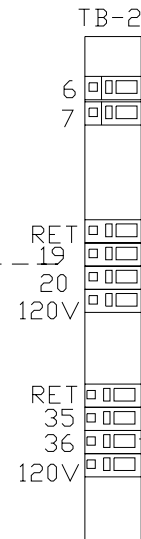
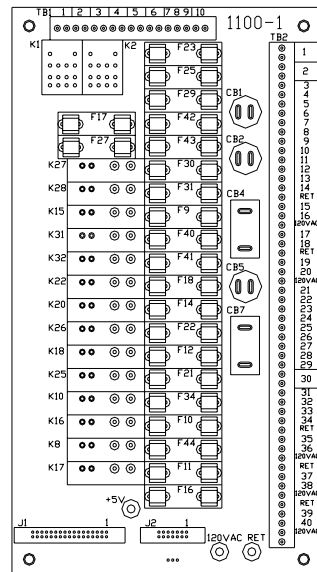
MP11/TS27 PROBE WITH
FADAL 3 PROBE INTERFACE
BOARD 1570-1



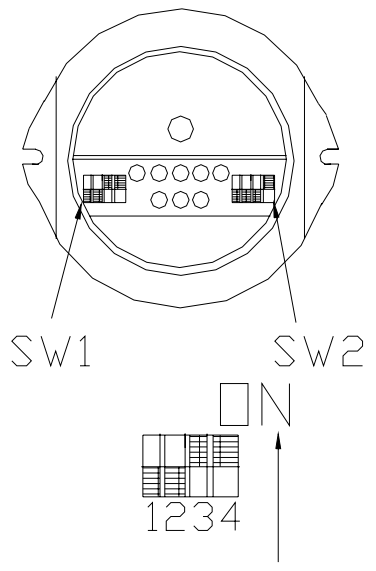
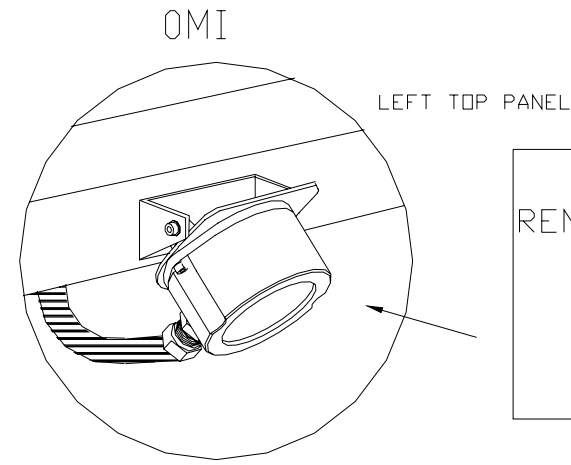
MP12/TS27 PROBE WITH
FADAL 3 PROBE INTERFACE
BOARD 1570-1



LEFT TOP PANEL



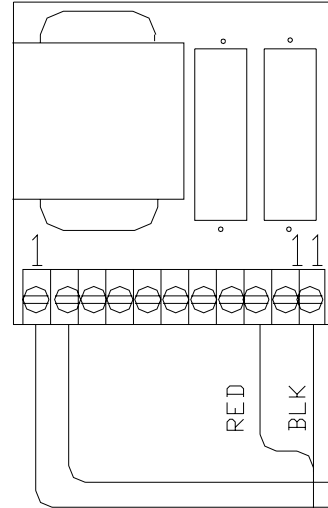
NOTE:
 1.SET SWITCH SW2 (#3) IN MI12 INTERFACE UNIT TO THE AUTO START POSITION.
 2.INSTALL THE FOLLOWING ELEMENTS ON 1100-1 BOARD:
 FUSE AGC-2 - F10, F29, F40.
 SOLID STATE RELAY - K16, K41.
 CIRCUIT BREAKER 2.5A - CB1
 3.TO ACTIVATE THE PROBES USE THE FOLLOWING COMMANDS:
 MP12 PROBE - M64,M66
 TS-27 - M65.



NOTE: SET SW1 TO AUTO START POSITION. - #4 TO GAIN ACCESS TO SW1 REMOVE OMI WINDOW AND LABEL.

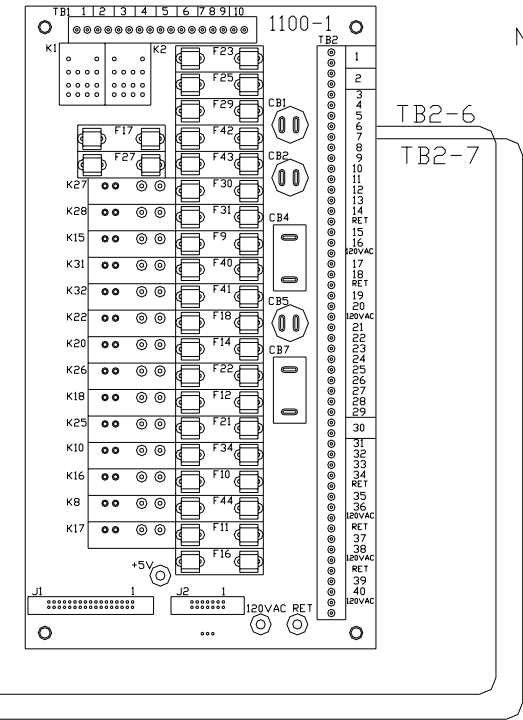
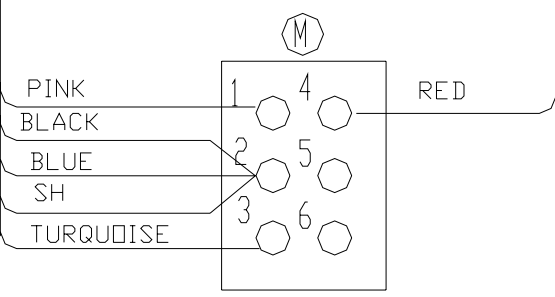
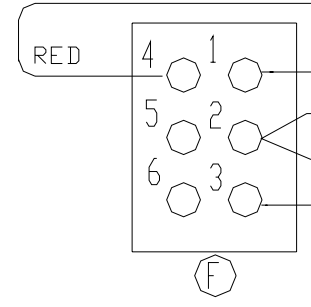


24V POWER SUPPLY

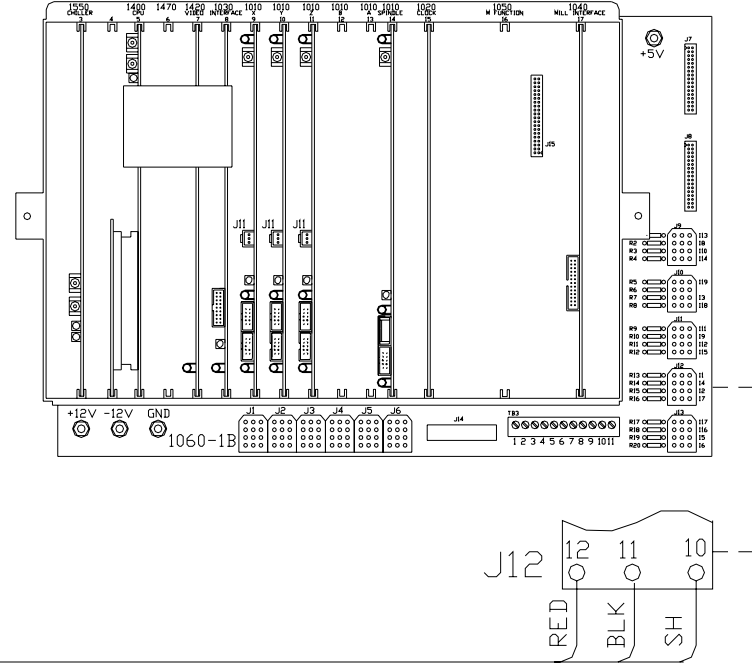


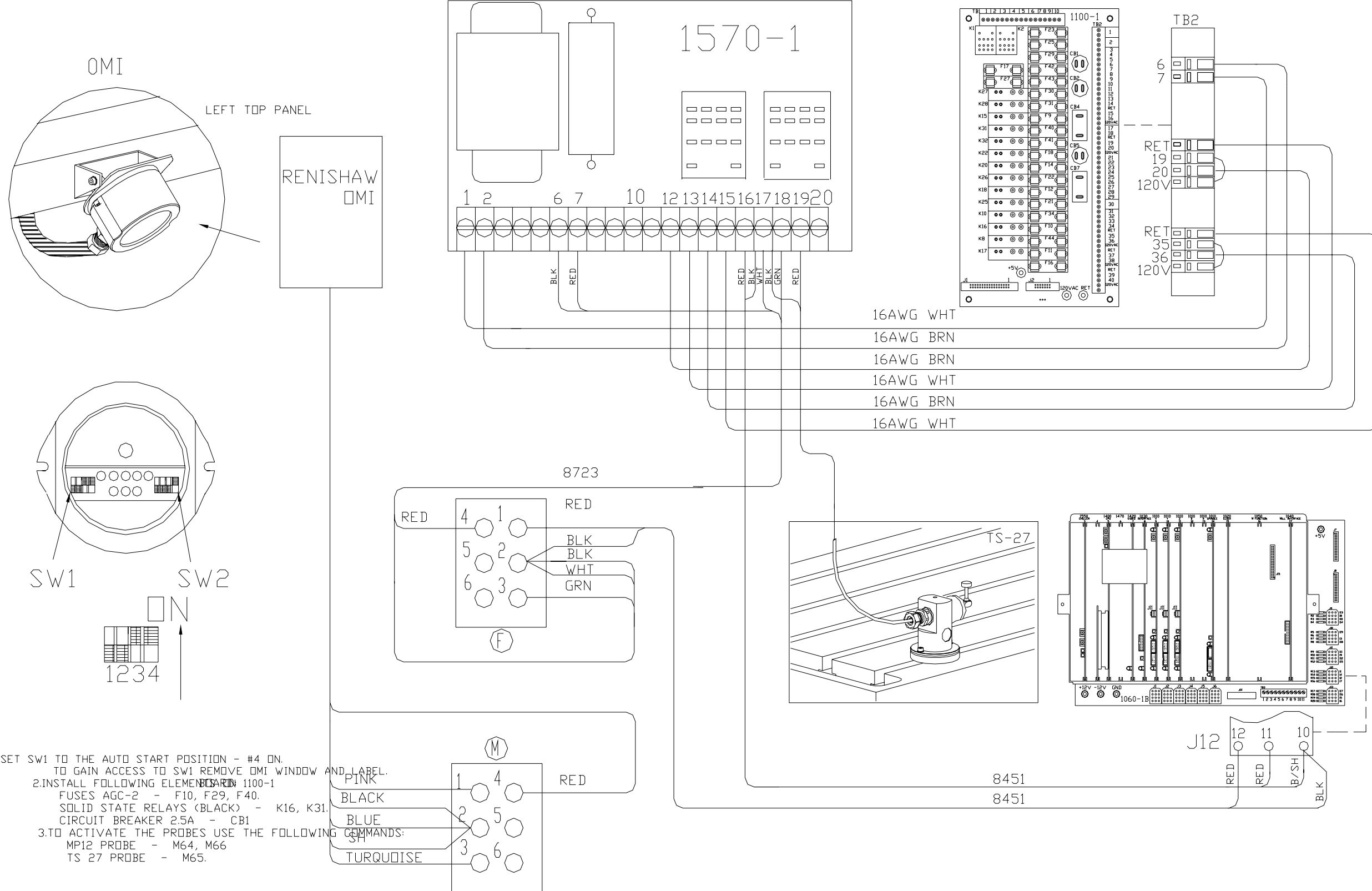
16AWG BRN

16AWG WHT

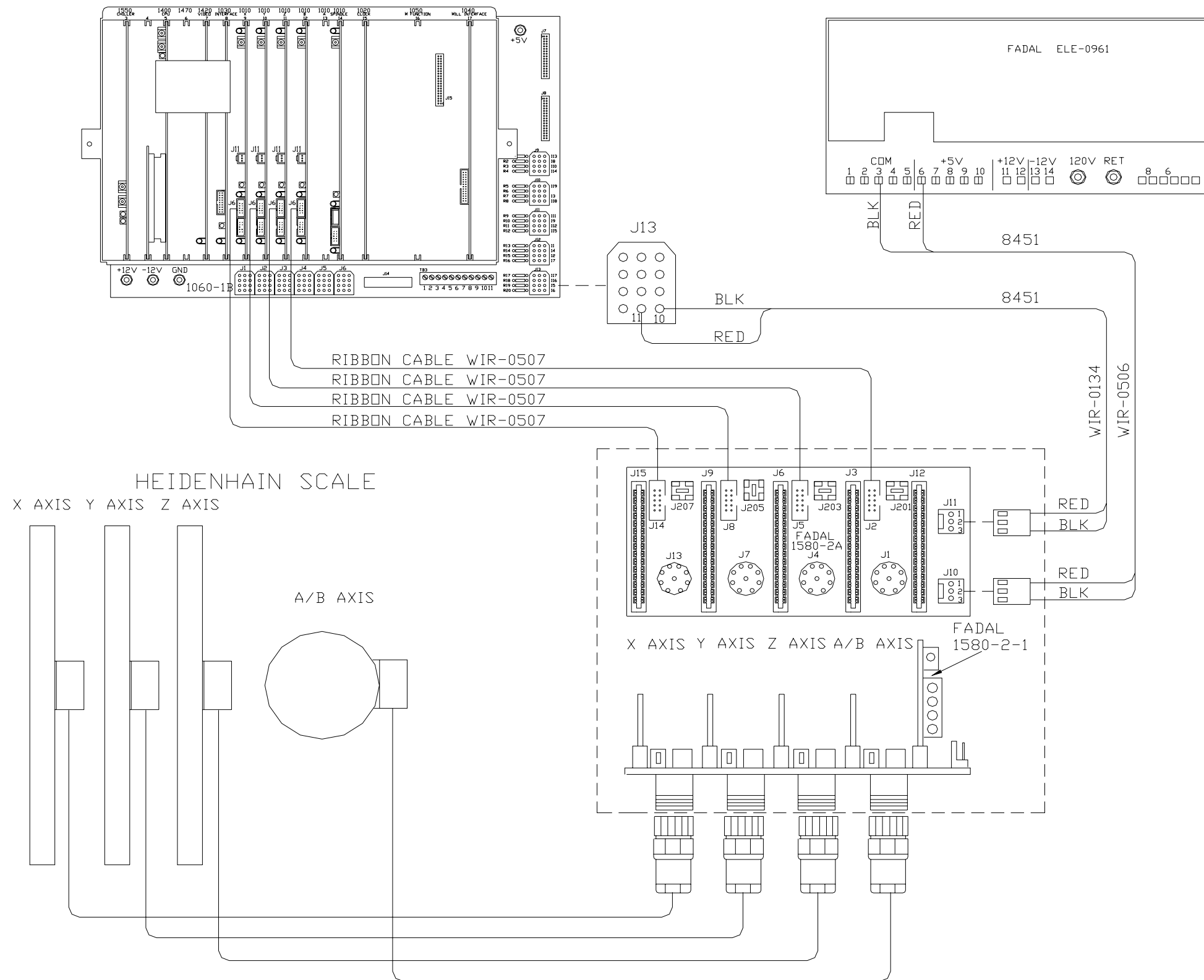


NOTE: INSTALL FUSE29AGC-2, CIRCUIT BREAKER





NOTE: 1.SET SW1 TO THE AUTO START POSITION - #4 ON.
 TO GAIN ACCESS TO SW1 REMOVE OMI WINDOW AND LABEL.
 2.INSTALL FOLLOWING ELEMENTS ON BOARD 1100-1
 FUSES AGC-2 - F10, F29, F40.
 SOLID STATE RELAYS (BLACK) - K16, K31.
 CIRCUIT BREAKER 2.5A - CB1
 3.TO ACTIVATE THE PROBES USE THE FOLLOWING COMMANDS:
 MP12 PROBE - M64, M66
 TS 27 PROBE - M65.



Wrg_0141A_NC4_Probe

