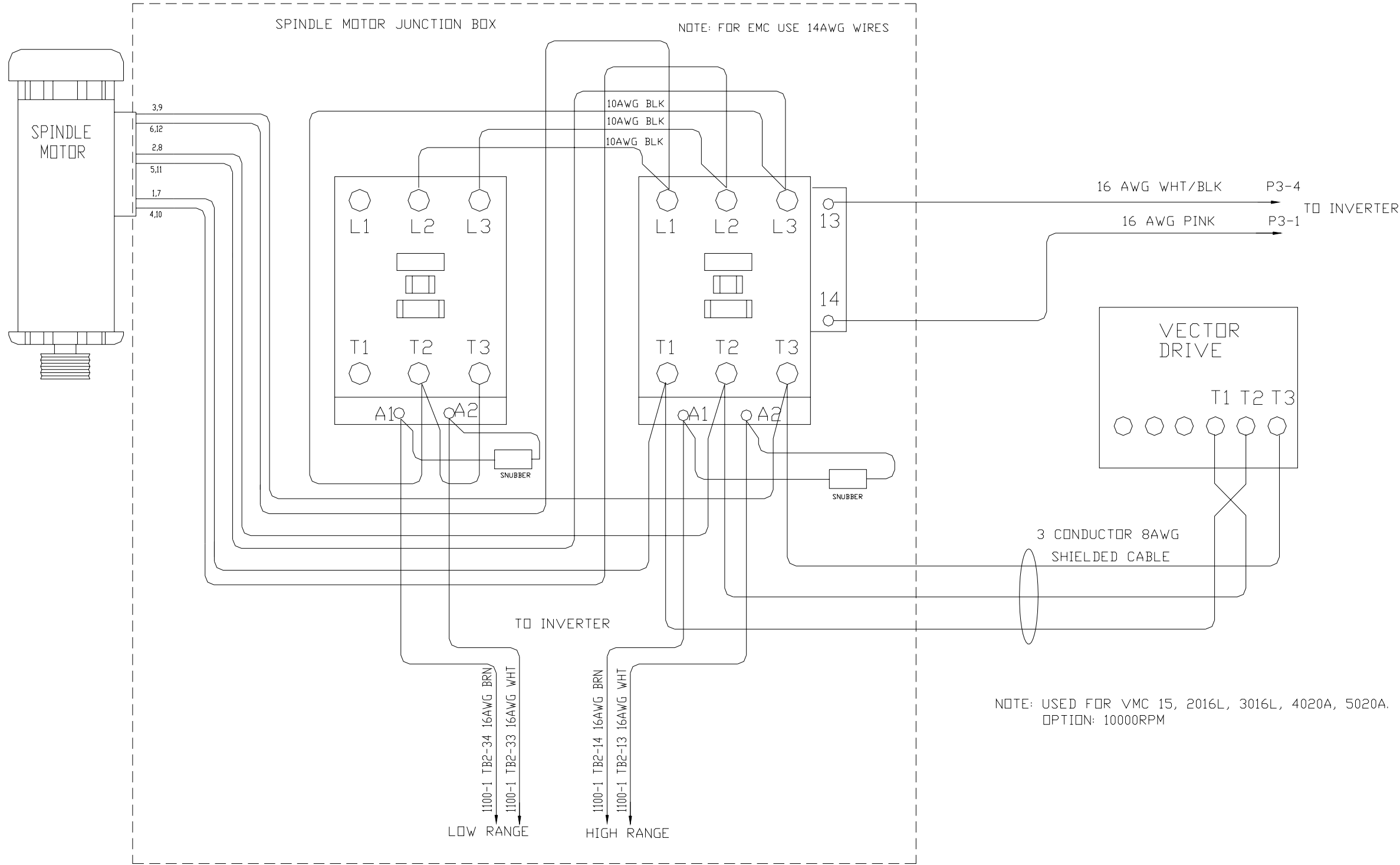


SECTION 2

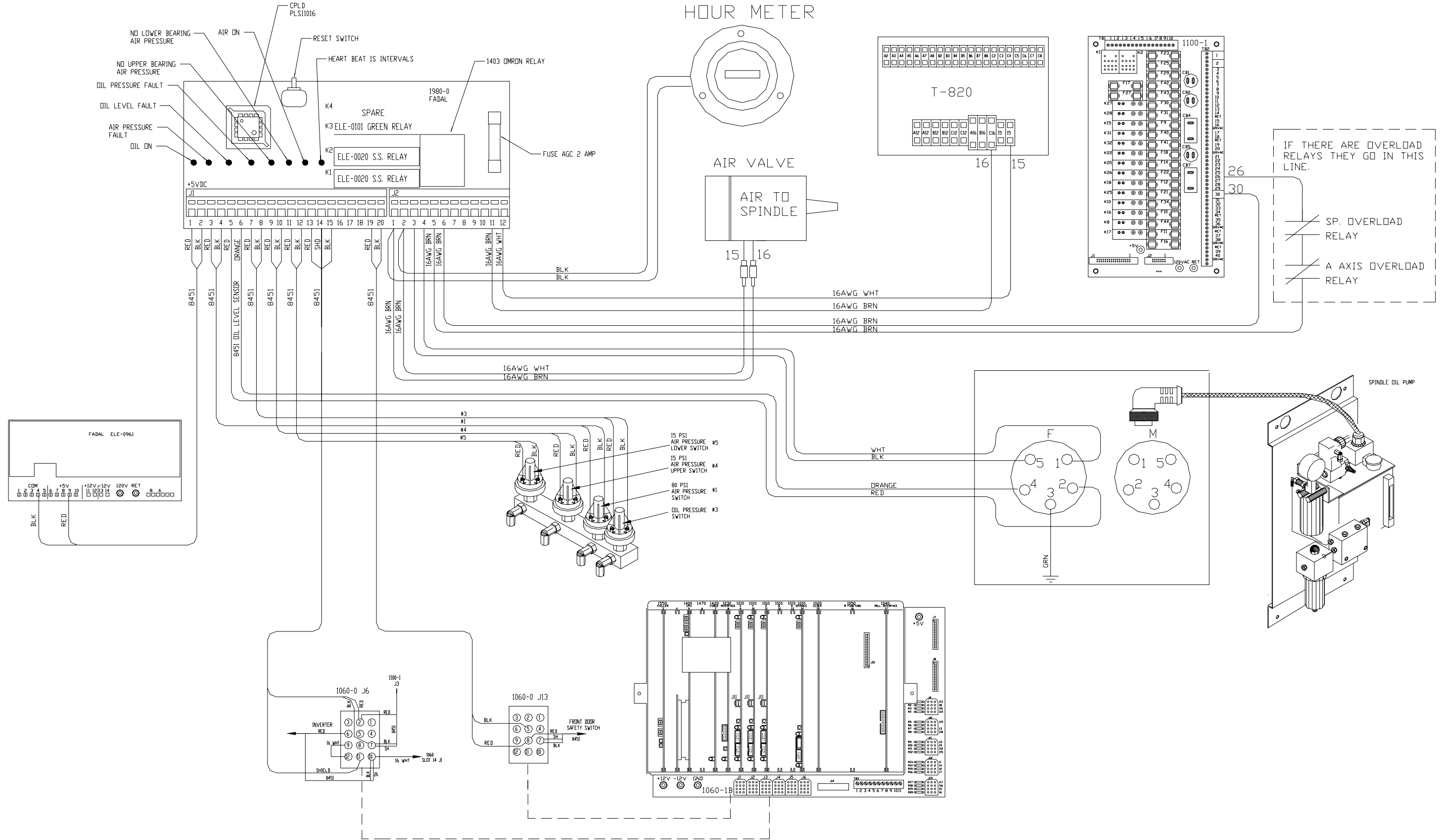
Spindle

WRG_0023E_wye_delta_contactors

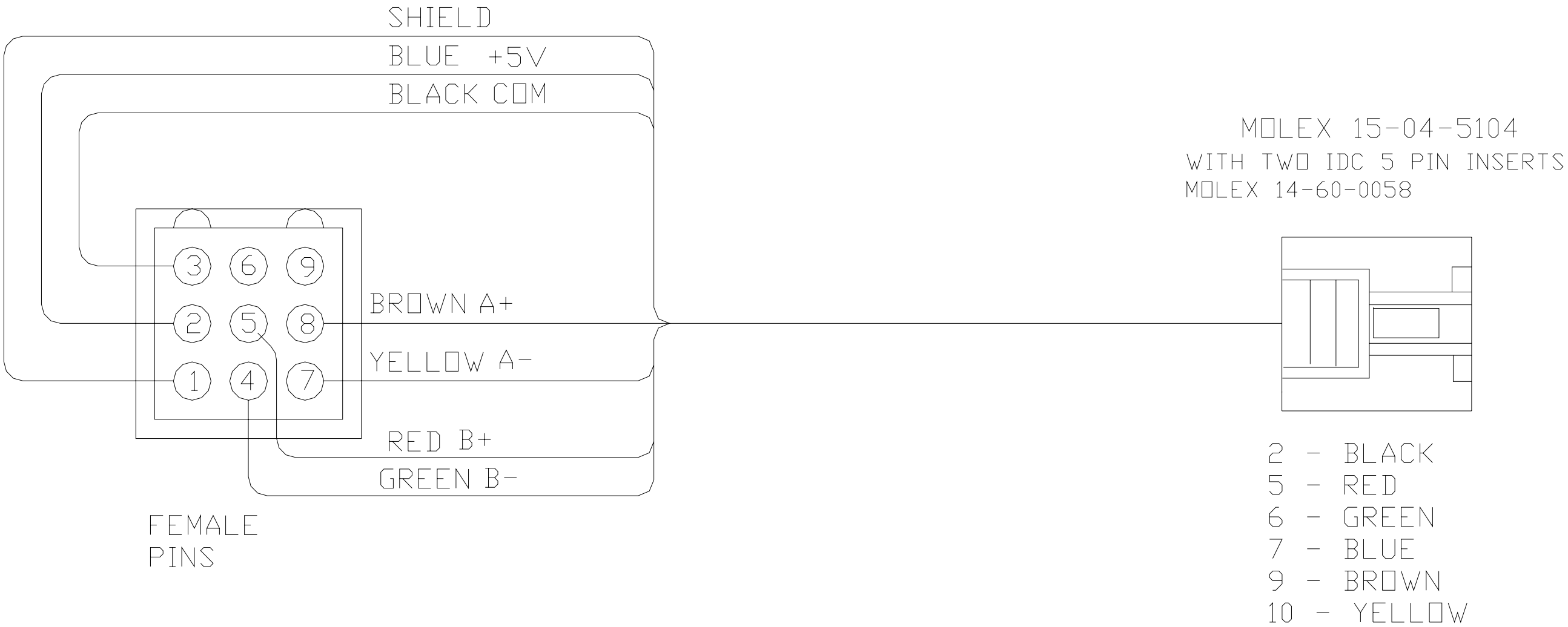


NOTE: USED FOR VMC 15, 2016L, 3016L, 4020A, 5020A.
OPTION: 10000RPM

Wrg_0026B_1980_0_15k_air_oil



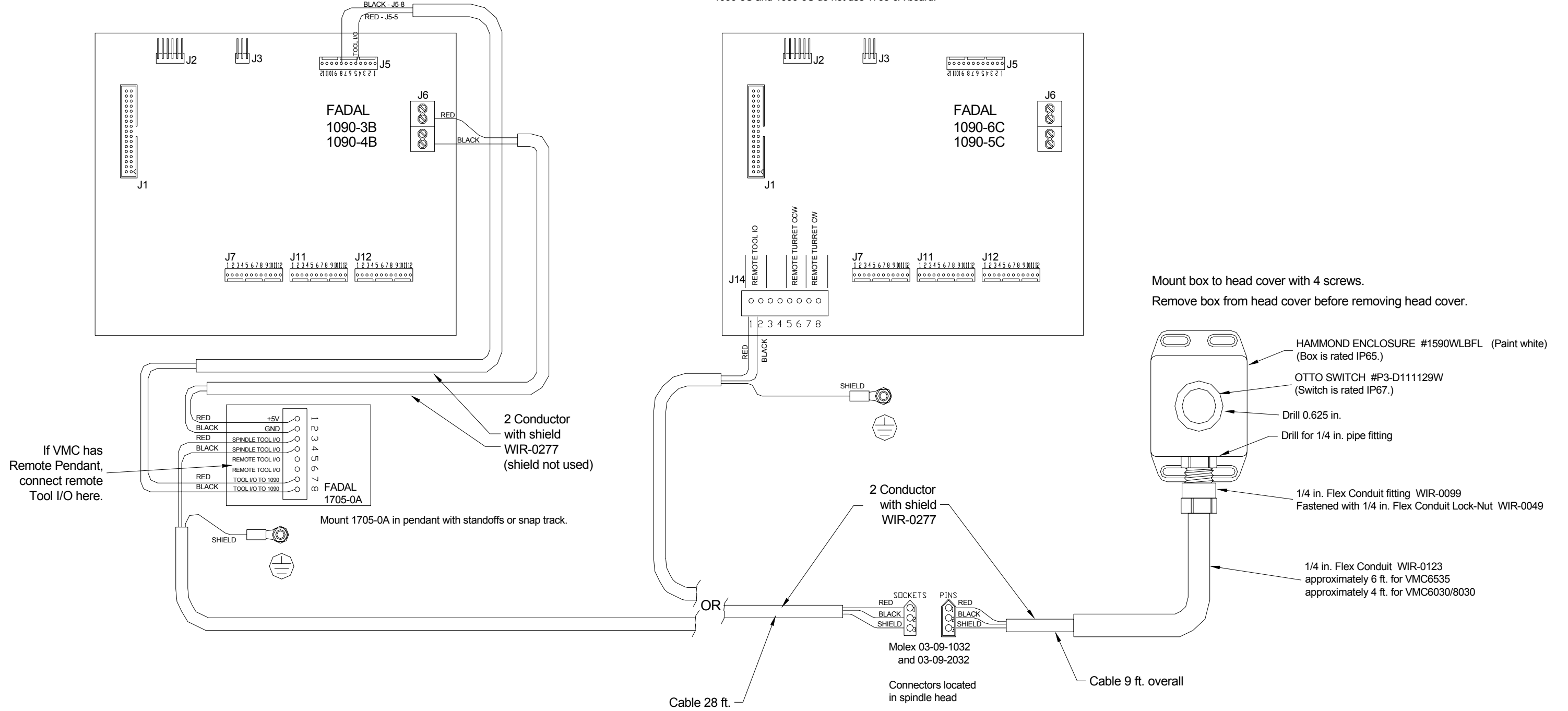
WRG_0043A_encoder_cable_E5D



WRG_0046C_Tool_IO_switch_on_spindle

Connection of 1705-0A is the same for all keyboards.

1090-5C and 1090-6C do not use 1705-0A board.



Installation procedure is given in FSP-W1042.